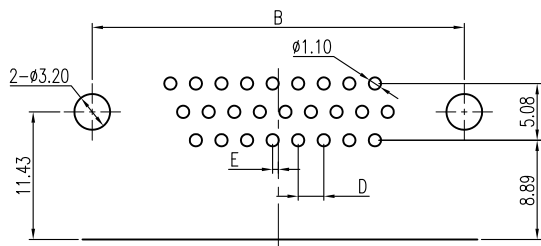
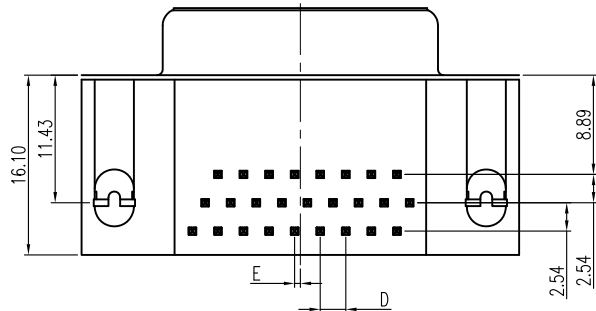
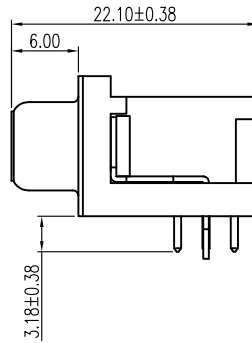
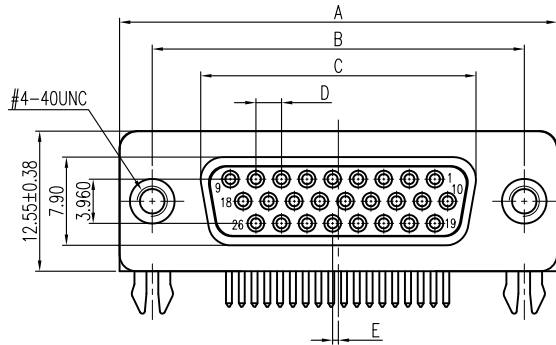


This document is the property of Amphenol Corporation and is delivered on the express condition that it is not to be disclosed, reproduced or used, in whole or in part, for manufacture or sale by anyone other than Amphenol Corporation without its prior consent, & that no right is granted to disclose or to use any information in this document.

# Customer drawing



RECOMMENDED P.C.B. LAYOUT

TOLERANCE: ±0.05mm



## Dimensions

Positions	A±0.38	B	C	D	E
15	30.81	24.99	16.33	2.29	0.25
26	39.19	33.32	24.66	2.29	0.51
44	53.04	47.04	38.38	2.29	0.51
62	69.32	63.50	54.84	2.41	0.58

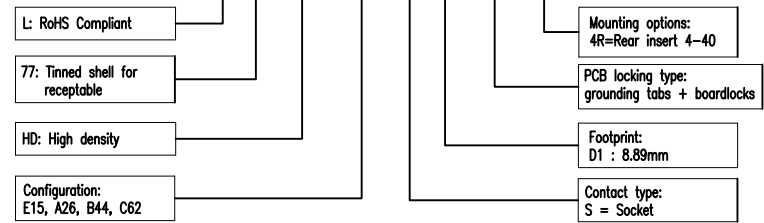
REVISIONS				
SYM	ECN	DESCRIPTION	DATE	APPROVED
1	HK--	First Release Drawing	04/14/08	IP
2	HK--	Update the Drawing	01/10/13	IP
3	HK--	Update the Drawing	03/19/15	IP

## D-SUB TECHNICAL DATA

SHELL : SPCC,100u" Tin Over 50u" min nickel over 50u" min Copper  
 BODY : PBT, UL 94V-0, Color:Black.  
 CONTACTS : Copper Alloy  
 Gold Flash over 50u" nickel on mating area  
 100u" tin over 50u" nickel on solder area  
 RIVET : Copper alloy, Nickel plated  
 BOARDLOCK: Copper alloy. Tin plated  
 ELECTRICAL : Voltage rating 250 V Rms  
 Current rating 3A  
 Withstanding Voltage >1000 V Rms  
 Insulation resistance >1000 M Ohms  
 Contact resistance 25 mOhms max.  
 MARKING : Amphenol...(Series No.)  
 Commercial reference  
 Manufacturing date

## PRODUCT CODE

L 77 HD XXX S D1 CH 4R



UNLESS OTHERWISE SPECIFIED TOLERANCES	APPROVAL	DATE
U.S. METRIC	DRAWN <i>Felix Liu</i>	03/19/15
.X +/- 0.50	CHECKED <i>Tony Tang</i>	03/19/15
.XX +/- 0.30	CHECKED	
.XXX +/- 0.20		
FRACTIONS +/- 5°		
ANGLES +/-		
FOR MATERIALS AND FINISHES SEE NOTES	DRAWING FILE :	
REMOVE SHARP EDGES	ANGLE OF PROJECTION	
DIMENSIONS		
U.S. INCHES		
METRIC MM		

Amphenol		
Amphenol East Asia Limited		
TITLE Stamped and formed contact, HD series		
SIZE	DRAWING NO.	REV.
A4	L77HDXXXSD1CH4R	3
SCALE	NONE	SHEET 1 OF 1