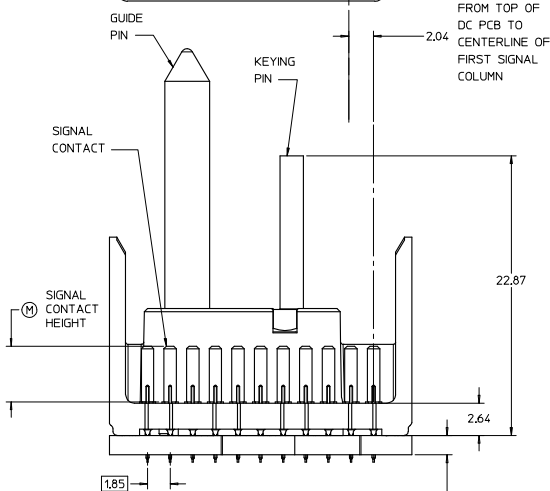
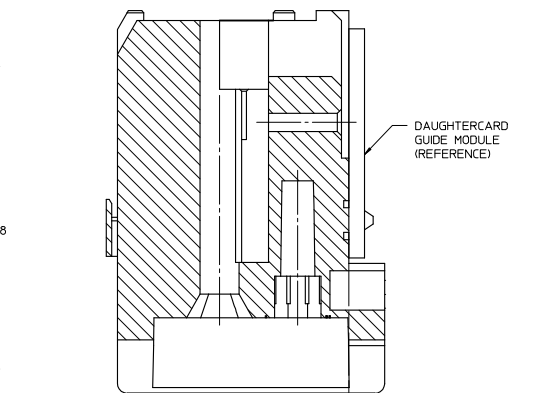


THE PRIMARY CARTON WITH A LABEL STATING "ELV AND RoHS COMPLAINT" IS LEAD FREE. CARTONS WITHOUT THIS LABEL MAY CONTAIN LEAD.

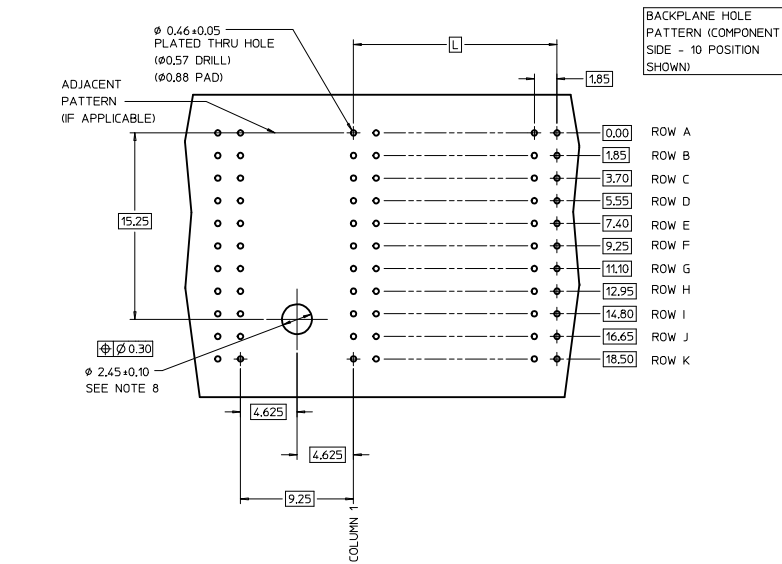
- NOTES:**
1. MATERIAL: HOUSING - LIQUID CRYSTAL POLYMER (LCP) GLASS-FILLED, UL 94V-0. COLOR - GRAY. SIGNAL CONTACT - HIGH PERFORMANCE COPPER ALLOY.
  2. FINISHES: SELECTIVE GOLD (Au) ON CONTACT AREA, SELECTIVE MATTE TIN (Sn) ON PCB TAILS, NICKEL (Ni) OVERALL.
  3. THIS PART CONFORMS TO MOLEX PRODUCT SPECIFICATION PS-75221-999.
  4. FOR MIXED CONTACT MATING LENGTHS CONSULT MOLEX FOR AVAILABILITY.
  5. 10 COLUMN 4 PAIR L-SERIES SHOWN FOR ILLUSTRATION PURPOSES ONLY. FOR SPECIFIC PART NUMBER AND MATING INFORMATION PLEASE REFER TO CHART.
  6. PACKAGE PER PK-70873-563.
  7. MARK PART NUMBER AND DATE CODE APPROXIMATELY WHERE SHOWN.
  8. OPTIONAL HOLE LOCATION FOR GROUNDED GUIDE PIN OR ADDITIONAL GUIDE PIN SUPPORT. FOR GROUNDED GUIDE PIN, HOLE TO BE PLATED, DRILL SIZE #25#, PAD SIZE #55#.
  9. THESE PARTS CONFORM TO MOLEX COSMETIC SPECIFICATION PS-45499-002 CLASS B.
  10. MAPS (MOLEX ADVANCED PLATING SYSTEM).



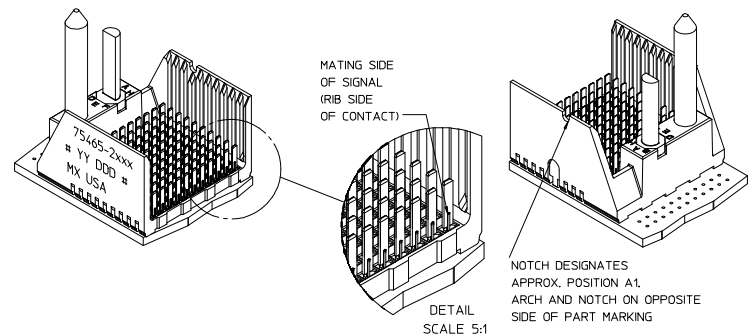
75465-2***		PIN LENGTH DIM 'M'	GOLD (Au) THICKNESS micrometers
COLUMN	KEYING POSITION	0=3.55 mm	
21-10 COL	NONE = 0	1=4.55 mm	0.25 (MAPS)
22-25 COL	1 = A	2=5.55 mm	
25= 5 COL	2 = B	3=3.55 mm	0.76
	ETC..	4=4.55 mm	
		5=5.55 mm	
		7=3.55 mm	1.27
		8=4.55 mm	
		9=5.55 mm	

ASSY PART NO.	K	L	P	TOTAL NO. OF CONTACTS
75465-21**	9	16.65	24.78	110
75465-22**	24	44.40	52.53	275
75465-25**	4	7.40	15.53	55

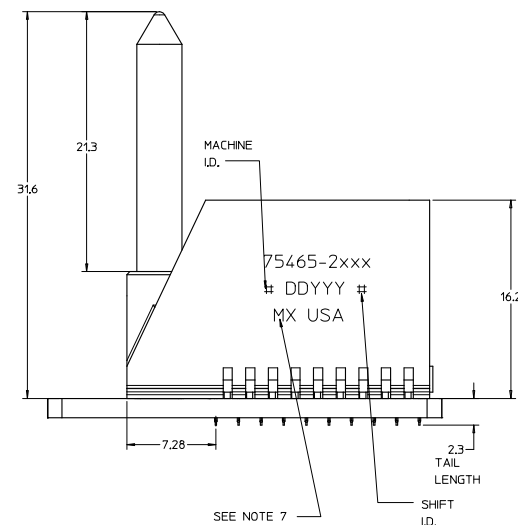
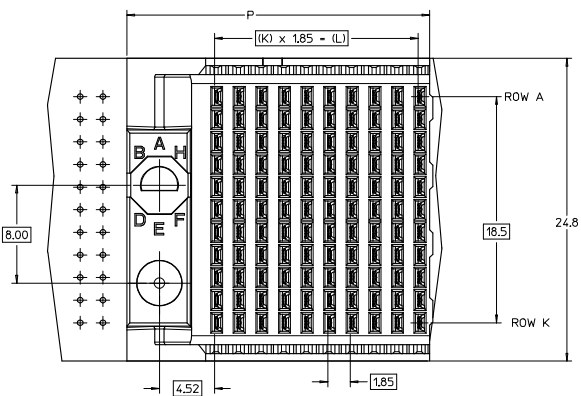
LEAD-FREE PLATING



P/N	--*0*	--*1*	--*2*	--*3*	--*4*	--*5*	--*6*	--*7*	--*8*
75465-( )	0	A	B	C	D	E	F	G	H
KEYING PIN ORIENTATION									

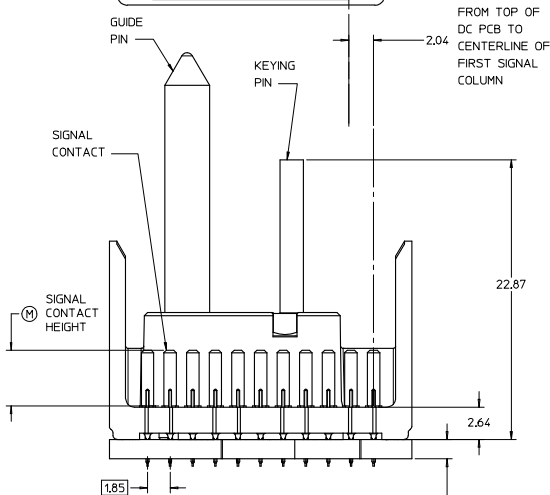
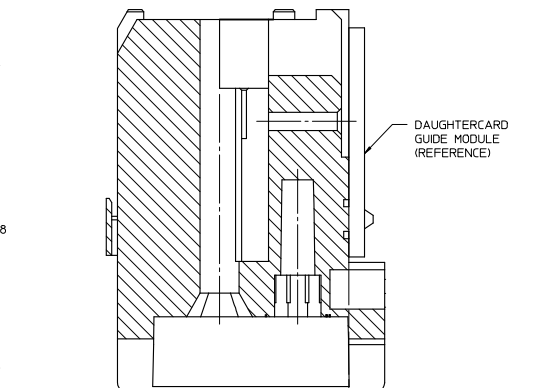


REV TO LEAD-FREE IEC NO. UCP2013-0690	DRAWINGS 2012/09/06	CHYKOWITZ 2012/09/07	APPROVALS MILLER 2012/12/05	QUALITY SYMBOLS	GENERAL TOLERANCES (UNLESS SPECIFIED)		DIMENSION STYLE		SCALE 5:1	DESIGN UNITS METRIC	THIRD ANGLE PROJECTION	TITLE GBX 4-PAIR L-SERIES LF LEFT END BACKPLANE SALES ASSEMBLY DRAWING
					mm	INCH	MM ONLY	DATE				
▽=0	4 PLACES ±---	±---		DRAWN BY NMARTIN	DATE 2004/12/17							MATERIAL NO. SEE CHART
▽=0	3 PLACES ±---	±---		CHECKED BY SREED	DATE 2004/12/17							
▽=0	2 PLACES ±0.25	±---		APPROVED BY	DATE							SHEET NO. 1 OF 1
	1 PLACE ±0.38	±---		CBI XLER	DATE 2004/12/17							
	0 PLACE ±	±---										
	ANGULAR ±1/2°			DRAFT WHERE APPLICABLE MUST REMAIN WITHIN DIMENSIONS								
	SIZE D			THIS DRAWING CONTAINS INFORMATION THAT IS PROPRIETARY TO MOLEX INCORPORATED AND SHOULD NOT BE USED WITHOUT WRITTEN PERMISSION								



THE PRIMARY CARTON WITH A LABEL STATING "ELV AND RoHS COMPLAINT" IS LEAD FREE. CARTONS WITHOUT THIS LABEL MAY CONTAIN LEAD.

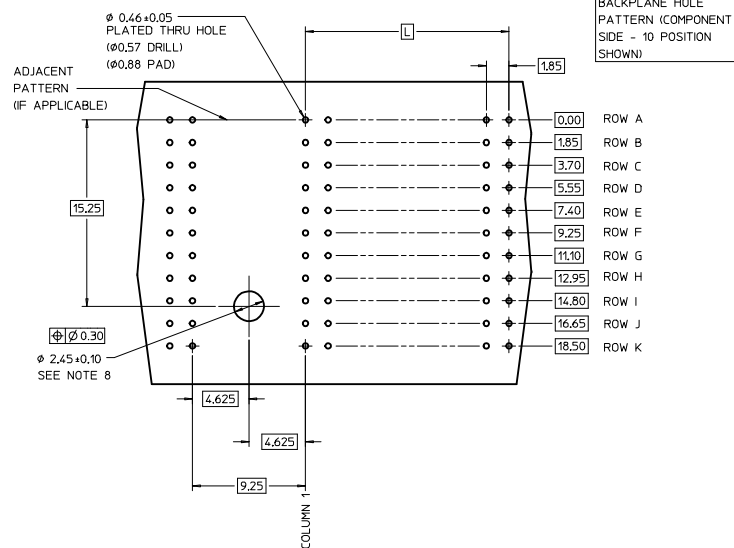
- NOTES:**
1. MATERIAL: HOUSING - LIQUID CRYSTAL POLYMER (LCP) GLASS-FILLED, UL 94V-0. COLOR - GRAY. SIGNAL CONTACT - HIGH PERFORMANCE COPPER ALLOY.
  2. FINISHES: SELECTIVE GOLD (Au) ON CONTACT AREA, SELECTIVE MATTE TIN (Sn) ON PCB TAILS, NICKEL (Ni) OVERALL.
  3. THIS PART CONFORMS TO MOLEX PRODUCT SPECIFICATION PS-75221-999.
  4. FOR MIXED CONTACT MATING LENGTHS CONSULT MOLEX FOR AVAILABILITY.
  5. 10 COLUMN 4 PAIR L-SERIES SHOWN FOR ILLUSTRATION PURPOSES ONLY. FOR SPECIFIC PART NUMBER AND MATING INFORMATION PLEASE REFER TO CHART.
  6. PACKAGE PER PK-70873-563.
  7. MARK PART NUMBER AND DATE CODE APPROXIMATELY WHERE SHOWN.
  8. OPTIONAL HOLE LOCATION FOR GROUNDED GUIDE PIN OR ADDITIONAL GUIDE PIN SUPPORT. FOR GROUNDED GUIDE PIN, HOLE TO BE PLATED, DRILL SIZE #25#, PAD SIZE #55#.
  9. THESE PARTS CONFORM TO MOLEX COSMETIC SPECIFICATION PS-45499-002 CLASS B.
  10. MAPS (MOLEX ADVANCED PLATING SYSTEM).



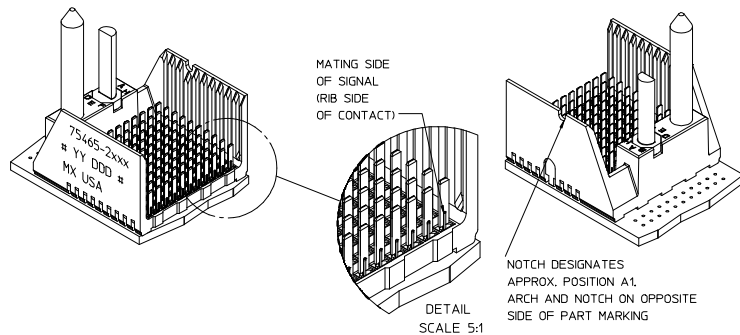
75465-2***		PIN LENGTH DIM 'M'	GOLD (Au) THICKNESS micrometers
COLUMN	KEYING POSITION	0=3.55 mm	
21-10 COL	NONE = 0	1=4.55 mm	0.25 (MAPS)
22-25 COL	1 = A	2=5.55 mm	
25= 5 COL	2 = B	3=3.55 mm	0.76
	ETC..	4=4.55 mm	
		5=5.55 mm	
		7=3.55 mm	1.27
		8=4.55 mm	
		9=5.55 mm	

ASSY PART NO.	K	L	P	TOTAL NO. OF CONTACTS
75465-21**	9	16.65	24.78	110
75465-22**	24	44.40	52.53	275
75465-25**	4	7.40	15.53	55

LEAD-FREE PLATING



P/N	--*0*	--*1*	--*2*	--*3*	--*4*	--*5*	--*6*	--*7*	--*8*
75465-( )	0	A	B	C	D	E	F	G	H
KEYING PIN ORIENTATION									



REV TO LEAD-FREE IEC NO: LCP2013-0690	DRAWINGS 2012/09/06	CHYKOWITZ 2012/09/07	APPROVALS 2012/12/05	QUALITY SYMBOLS	GENERAL TOLERANCES (UNLESS SPECIFIED)		DIMENSION STYLE		SCALE 5:1	DESIGN UNITS METRIC	THIRD ANGLE PROJECTION	TITLE GBX 4-PAIR L-SERIES LF LEFT END BACKPLANE SALES ASSEMBLY DRAWING
					mm	INCH	MM ONLY	DATE				
▽=0	4 PLACES ±---	±---			DRAWN BY	DATE						MATERIAL NO. SD-75465-210
▽=0	3 PLACES ±---	±---			DATE							
▽=0	2 PLACES ±0.25	±---			CHECKED BY	DATE						
	1 PLACE ±0.38	±---			DATE							
	0 PLACE ±	±---			DATE							
	ANGULAR ±1/2°				APPROVED BY							
	DRAFT WHERE APPLICABLE MUST REMAIN WITHIN DIMENSIONS				DATE							
	SIZE D				MATERIAL NO. SD-75465-210							
	THIS DRAWING CONTAINS INFORMATION THAT IS PROPRIETARY TO MOLEX INCORPORATED AND SHOULD NOT BE USED WITHOUT WRITTEN PERMISSION				DATE							