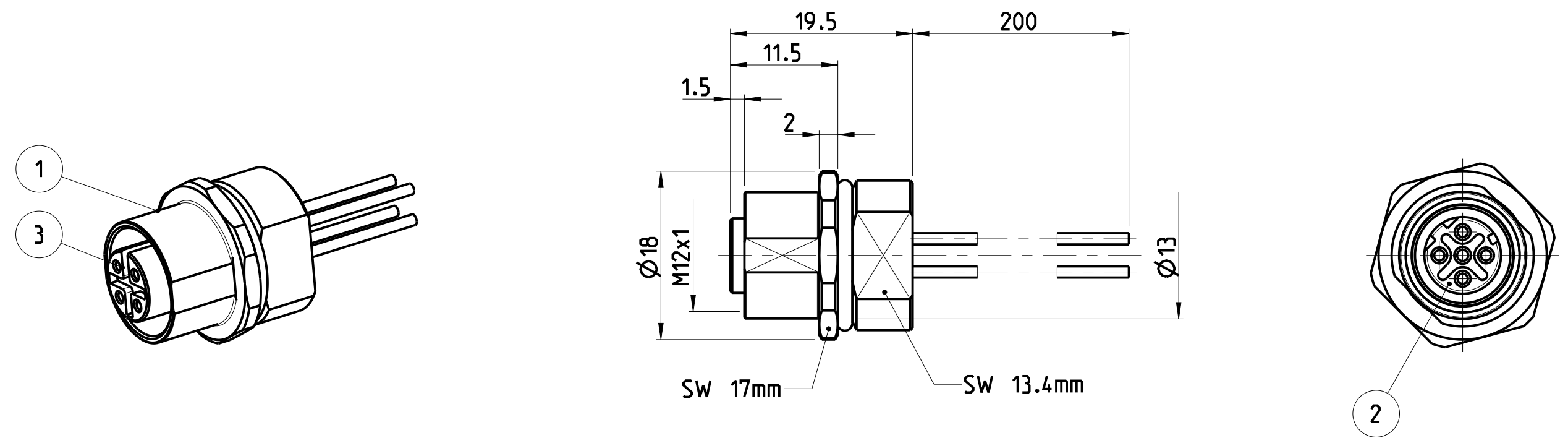


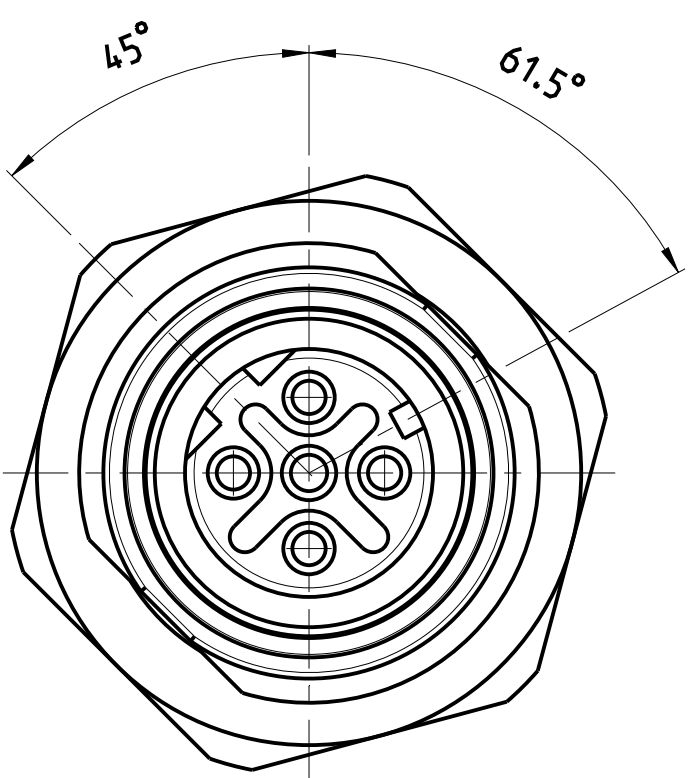
REVISIONS		DATE	DWN	APVD
ÄNDERUNGEN				
P	LTR	DESCRIPTION		
		BESCHREIBUNG		
	A1	DRAWING PUBLISHED	30APR2014	YR CS

- 1 MATERIAL: ITEM NO. 1: HOUSING - ZINC DIECASTING, NICKEL PLATED
 ITEM NO. 2: CONTACT BODY - PA
 ITEM NO. 3: CONTACT - CuSn (bronze)
 CONTACT FINISH - Au (gold)
- 2 ALL DIMENSIONS ARE FOR NOMINAL REFERENCE ONLY UNLESS OTHERWISE STATED
- 3 MEASUREMENT REFERENCE ONLY
- 4 PACKAGING: 1 PIECE IN A BAG



PIN ARRANGEMENT
D-CODING (SCALE 4:1)

3-2271139-2



TECHNICAL DATA	3-2271139-2
RATED VOLTAGE	250V
RATED IMPULSE VOLTAGE	2500V
POLLUTION DEGREE	3
OVERVOLTAGE CATEGORY	II
MATERIAL GROUP	II
RATED CURRENT	-
VOLUME RESISTIVITY	≤ 3mΩ
DEGREE OF PROTECTION	IP67
UPPER TEMPERATURE	+85 °C
LOWER TEMPERATURE	-40 °C

24 / 0.25mm ²	⚠	4	3-2271139-2
WIRES AWG / mm ²	MATERIAL	NUMBER OF POLES	TE-PART-NO.

DIESE ZEICHNUNG IST EIN KONTROLLIERTES DOKUMENT. BEMASSUNGEN UND TOLERANZEN GEMAESS GPS (ISO STANDARDS).

THIS DRAWING IS A CONTROLLED DOCUMENT. DIMENSIONING AND TOLERANCING PER GPS (ISO STANDARDS).

DIMENSIONS: MASSE/MASSSTAB: [mm]	TOLERANCES UNLESS OTHERWISE SPECIFIED: ALLGEMEINE TOLERANZEN
0 PLC	±
1 PLC	±
2 PLC	±
3 PLC	±
4 PLC	±
ANGLES/WINKEL	±
FINISH/OBERFLÄCHE/FARBE	-

MATERIAL: -

DWN YASHKUMAR 30APR2014	TE Connectivity	NAME M12 PANEL MOUNT RECEPTACLE CONNECTOR. D-CODING
CHK M.STRELOW 30APR2014		
APVD C.SCHREITLINGER 30APR2014		
PRODUCT SPEC		
APPLICATION SPEC	SIZE A2	CAGE CODE 00779
VERARBEITUNGSSPEZ.	DRAWING NO. C-2271139	RESTRICTED TO MUR FUER -
WEIGHT		
Customer Drawing	/KUNDENZEICHNUNG	SCALE MASSSTAB 4:1
	SHEET BLATT 1 OF 1	REV A1

SIZE ISO 14405 (E)