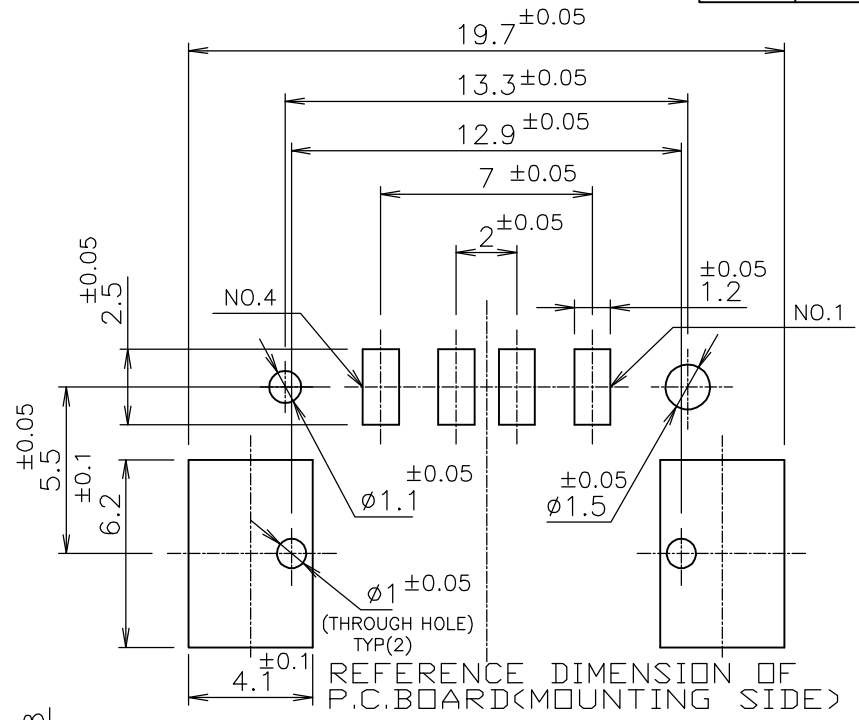
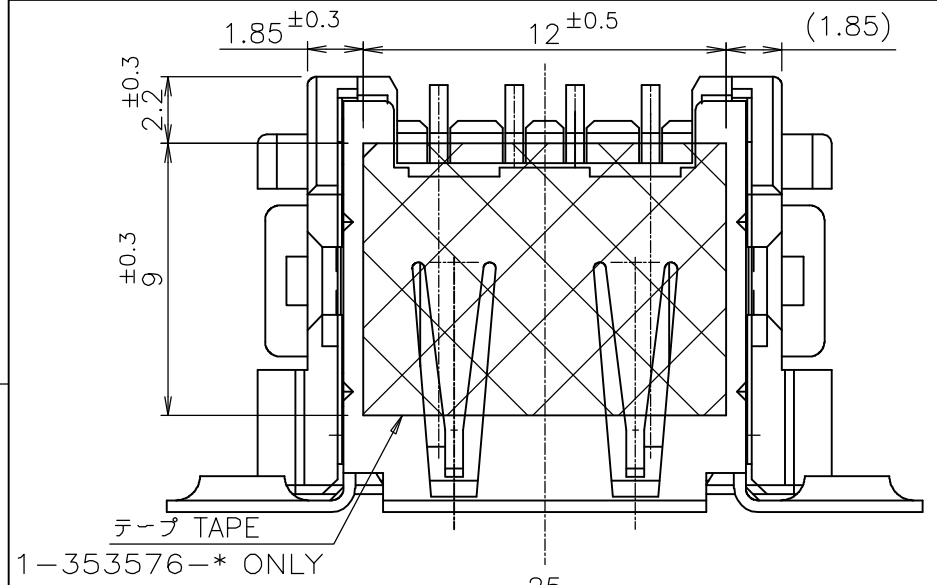


THIS DRAWING IS UNPUBLISHED. RELEASED FOR PUBLICATION

© COPYRIGHT BY TYCO ELECTRONICS CORPORATION. ALL RIGHTS RESERVED.

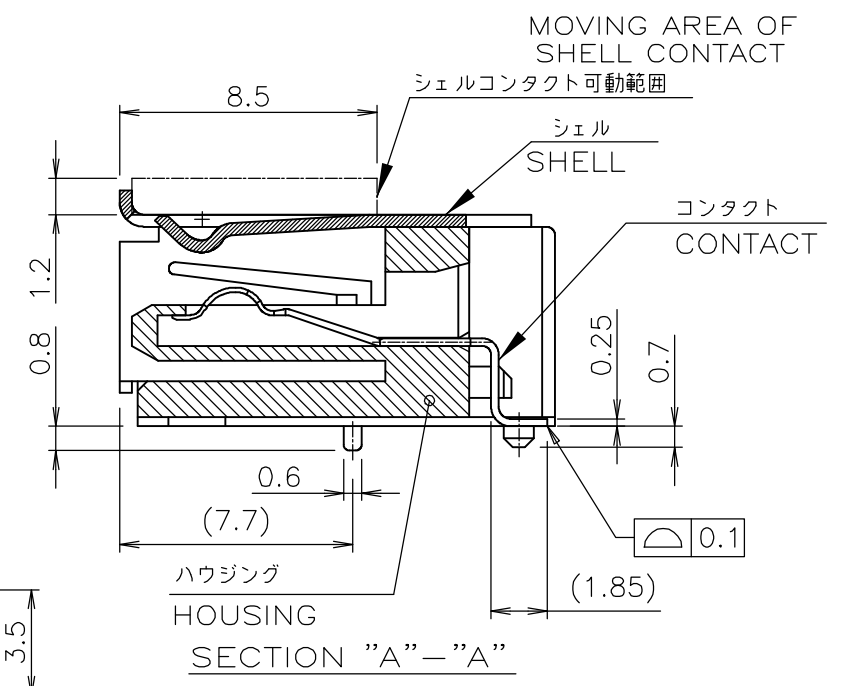
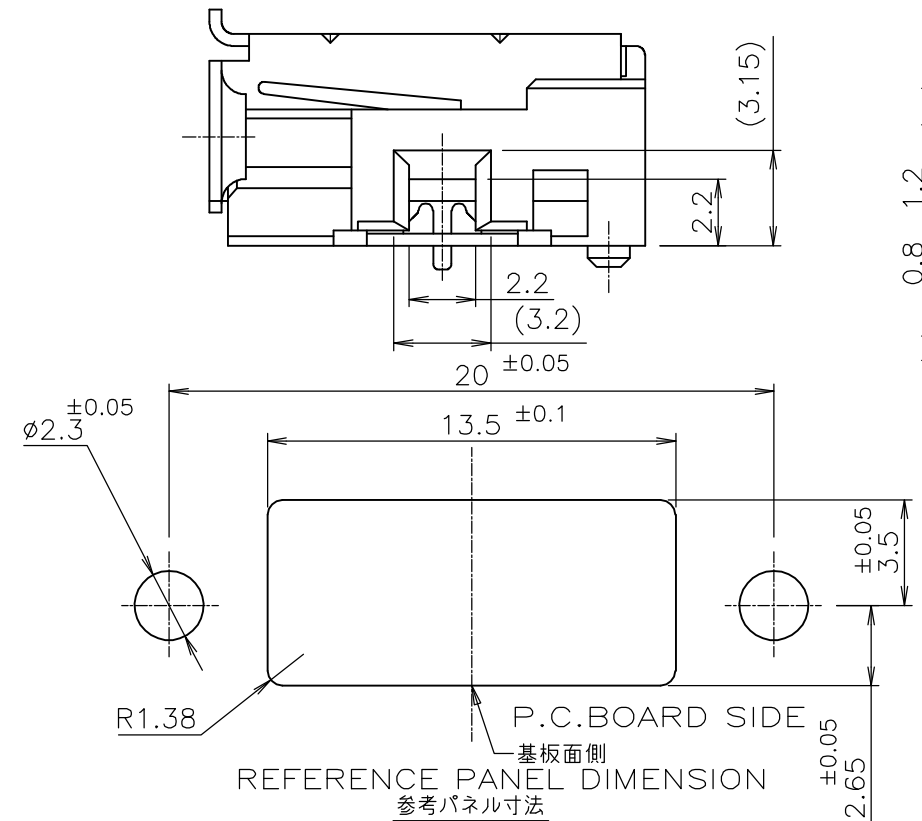
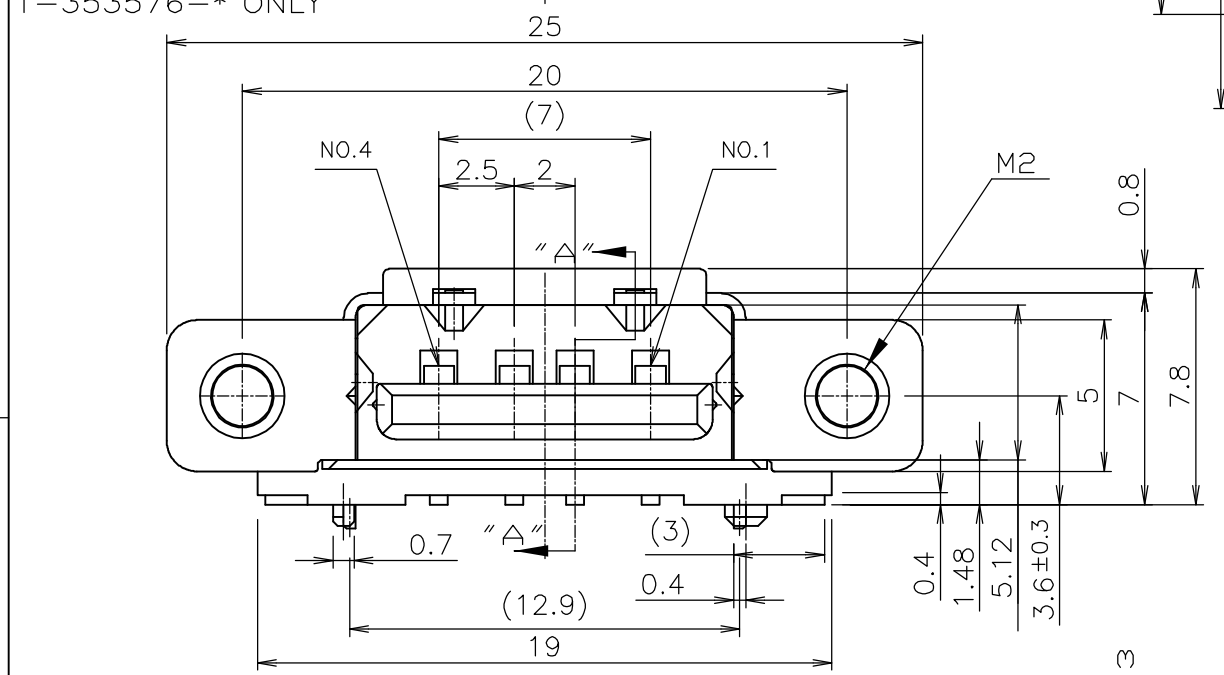
LOC J DIST -

REVISIONS			DATE	DWN	APVD
P	LTR	DESCRIPTION			
E		REVISED	09AUG05	Y.W	Y.Y



注記
 ▲ 材料及び表面処理
 コンタクト: 銅合金
 ニッケル下地
 接触部: パラジウムニッケルめっき上に金めっき
 タイン部: 半田めっき
 ハウジング: 熱可塑性樹脂, UL94V-0
 シェル: 銅合金
 半田めっき

NOTES
 ▲ MATERIAL & FINISH
 CONTACT: COPPER ALLOY
 Au PL. ON Pd-Ni PL. AT CONTACT AREA OVER Ni PL.
 TIN-LEAD PL. AT TINE AREA OVER Ni PL.
 HOUSING: THERMO-PLASTICS, UL94V-0
 SHELL: COPPER ALLOY, TIN-LEAD PL.



HOUSING COLOR	REMARKS	PART NO.
BLACK	WITH TAPE	1-353576-2
WHITE	WITH TAPE	1-353576-1
WHITE	WITH OUT TAPE	353576-1

THIS DRAWING IS A CONTROLLED DOCUMENT.

DWN Y. WATANABE	21JAN'97	 Tyco Electronics AMP K.K. Kawasaki, Japan	NAME 名称 RECEPACLE ASSY R/A SMT REVERSE TYPE USB CONNECTOR
CHK T. YAMADA	22JAN'97		
APVD T. YAMADA	22JAN'97		
DIMENSIONS: 単位: 耗 MM	TOLERANCES UNLESS OTHERWISE SPECIFIED: 一般公差	PRODUCT SPEC 製品規格 108-5563	SIZE A3
0 PLC ± 0.3	1 PLC ± 0.3	APPLICATION SPEC 取付適用規格	CAGE CODE 00779
2 PLC ± 0.3	2 PLC ± 0.3	WEIGHT	DRAWING NO 番号 C-353576
3 PLC ± 0.3	3 PLC ± 0.3	CUSTOMER DRAWING	RESTRICTED TO -
4 PLC ± 0.3	4 PLC ± 0.3		SCALE 尺度 4:1
ANGLES ± 5	FINISH 仕上	SHEET 1 OF 1	REV E