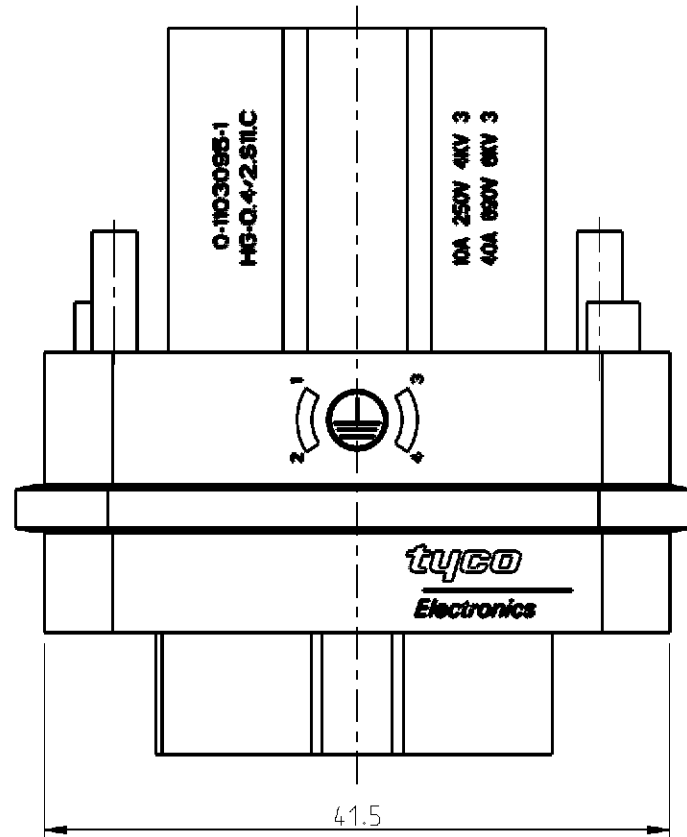


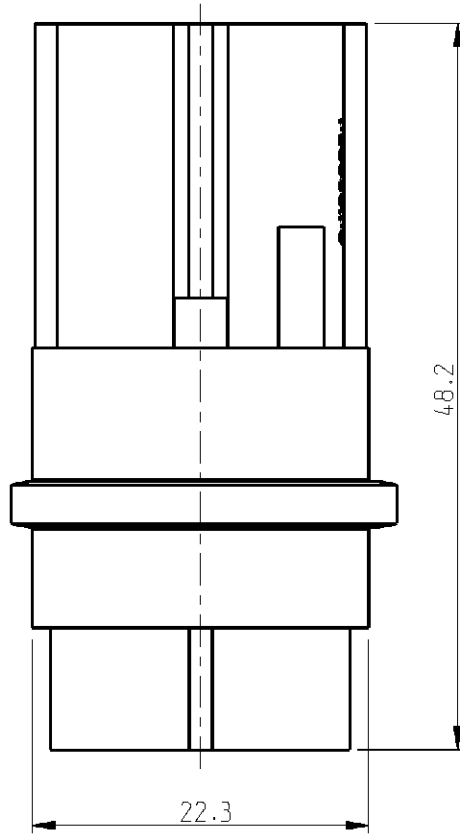
THIS DRAWING IS UNPUBLISHED. RELEASED FOR PUBLICATION

© COPYRIGHT BY TYCO ELECTRONICS CORPORATION. ALL RIGHTS RESERVED.

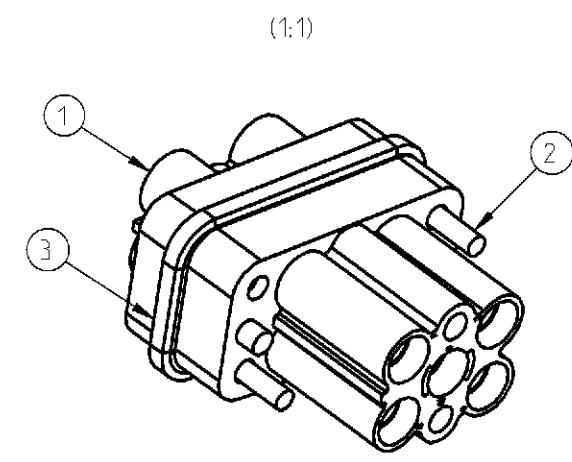
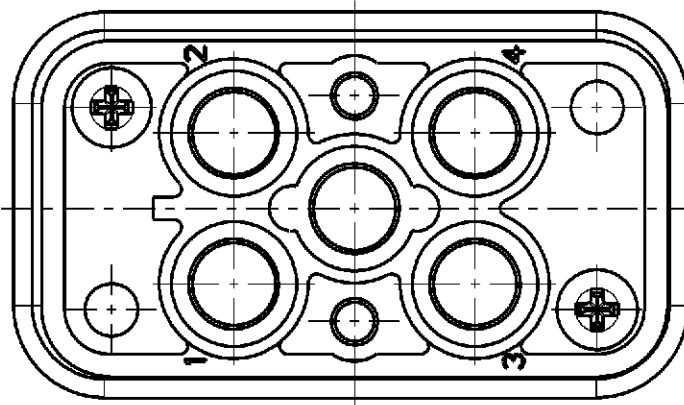
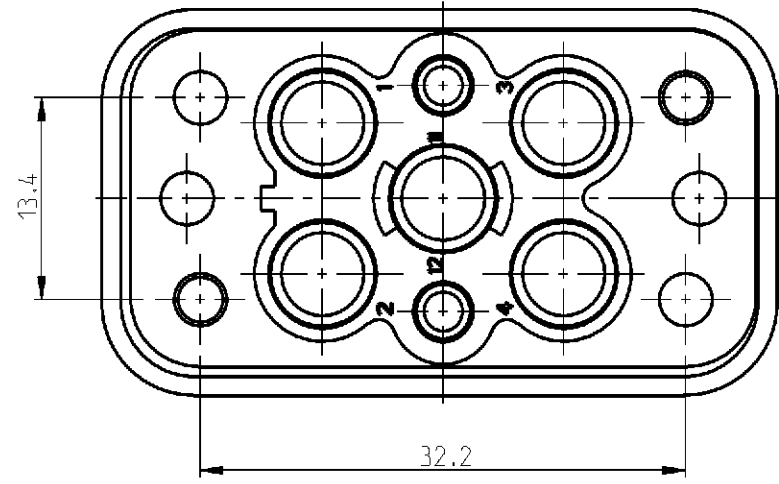
LOC	DIST	REVISIONS						
		P	LTR	DESCRIPTION	DATE	DWN	APVD	
A1	-			C1	RELEASED AS PER ECR-07-005630	12-Mar-07	PKP	ST



CONTACT ARRANGEMENT VIEW FROM TERMINATION SIDE



CONTACT ARRANGEMENT VIEW FROM CONNECTING SIDE



- NOTES
- 1 POWER CONTACT: 1 TO 4
SUITABLE CRIMP CONTACTS: SERIES HSK
CUSTOMER DRAWING NO :1108757
OUTER DIMENSIONS OF INSULATOR:MAX Ø8 MM
 - 2 SIGNAL CONTACT: 11 AND 12
SUITABLE CRIMP CONTACTS: SERIES HN.D
CUSTOMER DRAWING NO :1105050
OUTER DIMENSIONS OF INSULATOR:MAX Ø3.8 MM
 - 3 GROUNDING CONTACT
SUITABLE CRIMP CONTACTS: SERIES HSK
CUSTOMER DRAWING NO :1108757
OUTER DIMENSIONS OF INSULATOR:MAX Ø8 MM
 - 4 SUITABLE HOOD:SERIES HG-Q
 - 5 NORM ACCOR: DIN EN 61984;DIN EN 60664-1
 - 6 PACKAGING:
10 PIECES IN A BOX

QTY.	DESCRIPTION	MATERIAL	SURFACE	COLOR	NOTE	ITEM
1	PROFILE SEALING	NBR 72	NATURAL	BLACK	CONDUCTIVE	3
2	SCREW 3X10	STEEL	ZINC PLATED	BLUE	FOR PLASTICS	2
1	MALE INSERT	PBT-GF25	-	LIGHT-GREY	-	1

PARTS LIST

<small>THIS DRAWING IS A CONTROLLED DOCUMENT FOR TYCO ELECTRONICS CORPORATION IT IS SUBJECT TO CHANGE AND THE CONTROLLING ENGINEERING ORGANISATION SHOULD BE CONTACTED FOR THE LATEST REVISION.</small>		DWN 21.02.2005 M.Schweiger CHK 20.02.2005 T.Schnurpfeil APVD		Tyco Electronics AMP GmbH D-53819 Neunkirchen, Germany	
DIMENSIONS: mm 		TOLERANCES UNLESS OTHERWISE SPECIFIED: 0 PLC ± 1 PLC ± 2 PLC ± 3 PLC ± 4 PLC ± ANGLES ±		NAME MALE INSERT HG-Q.4/2.ST1.C	
MATERIAL		FINISH		PRODUCT SPEC 108-74053 APPLICATION SPEC 114-74055 WEIGHT 0.020KG CUSTOMER DRAWING	
		SIZE A3 CAGE CODE 00779 DRAWING NO C-1103095		RESTRICTED TO	
		SCALE 2:1 SHEET 1 OF 1 REV C1			