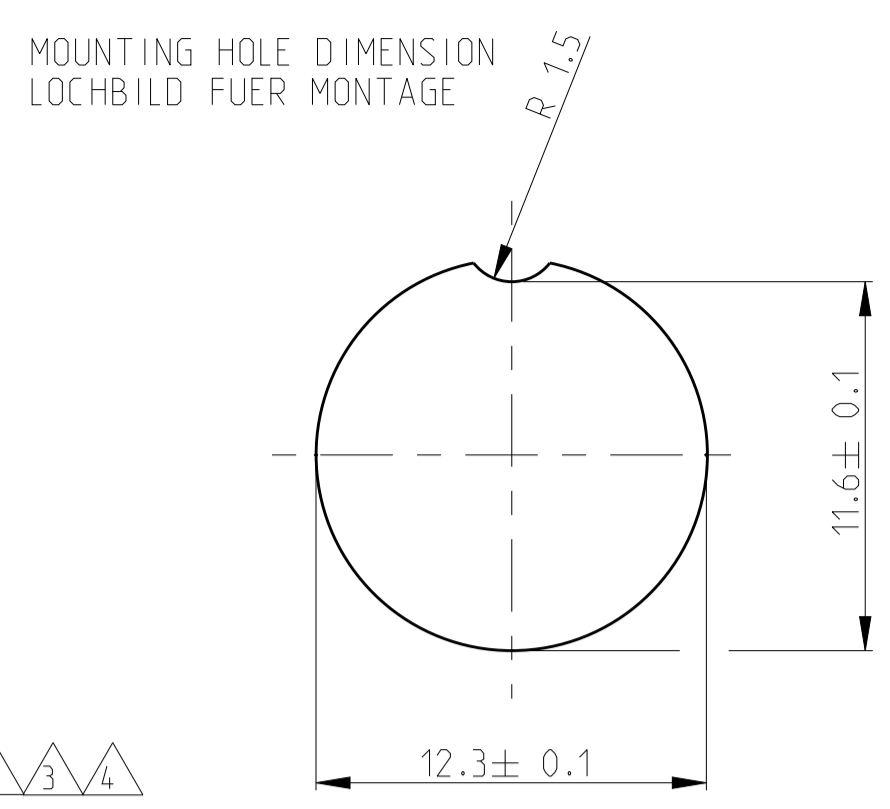
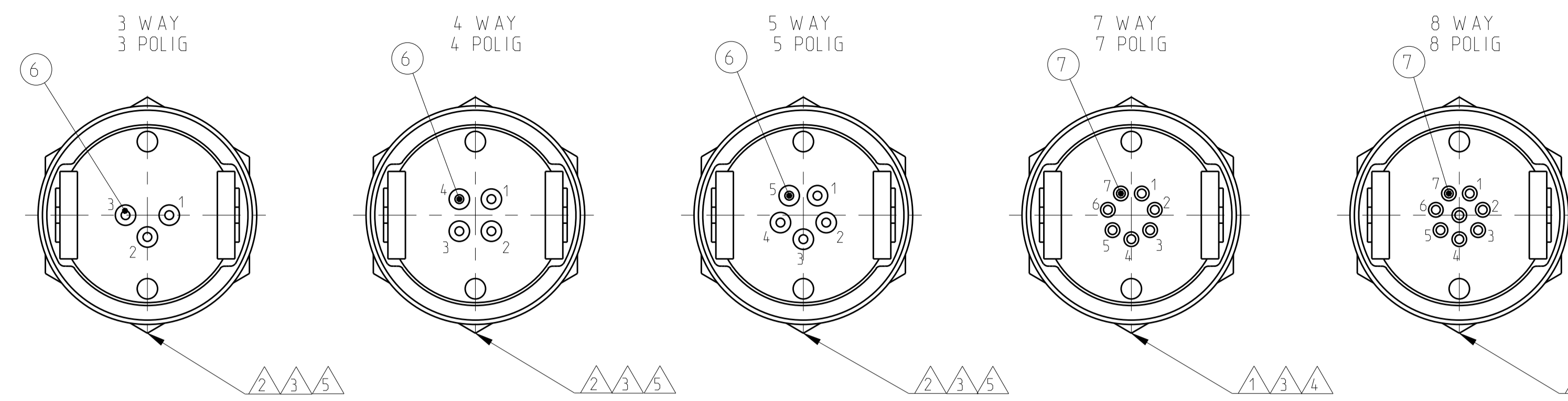
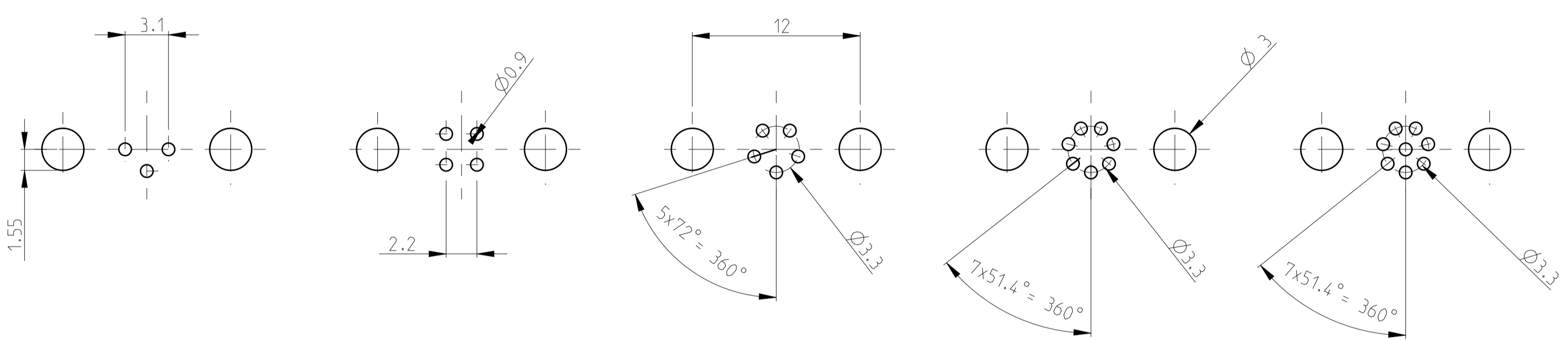


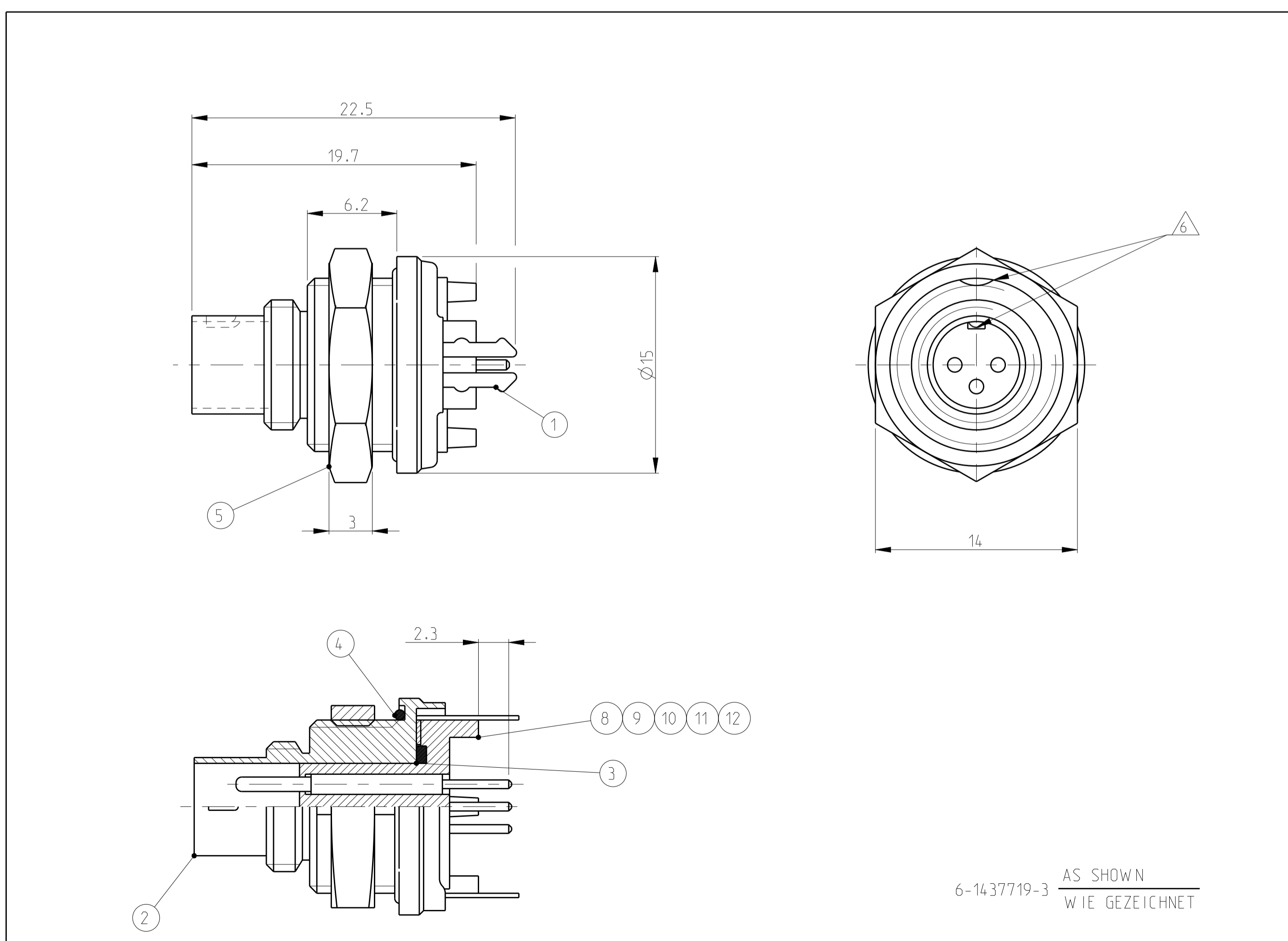
LOC	DIST	REV	DATE	BY	CHKD	APPRD
A1	-	A3	16 JUL 2012	KH	MS	



PCB HOLES
PCB THICKNESS 1.6 mm MAX.
PCB LOCHBILD
PCB DICKE 1.6 mm MAX.



MATERIAL / MATERIAL: PBT, UL-94 V2	△7
SHELL MATERIAL / GEHAUSEMATERIAL: CUZN	
FINISH / BESCHICHTUNG: TRIBOR 4 µm	
CODING / KODIERUNG	△6
WIRE GAGE / DRAHTGROESSE IN mm ² : 0.25	△5
WIRE GAGE / DRAHTGROESSE IN mm ² : 0.14	△4
CONTACT RESISTANCE / KONTAKTWIDERSTAND: => 5 mΩ	△3
RATED CURRENT PER CONTACT / NENNSTROM PRO KONTAKT: 3 A	△2
RATED CURRENT PER CONTACT / NENNSTROM PRO KONTAKT: 1 A	△1
SHELL PROTECTION CLASS / SCHUTZKLASSE: IP 65 / DIN 40050	
TERMINATION: SOLDERING / VERBINDUNG: LOETKONTAKTE	
TEST VOLTAGE / PRUEFSPANNUNG: 500 VAC	
OPERATING VOLTAGE / BETRIEBSSPANNUNG: 60 VAC	
OPERATING TEMPERATURE: -40°C TO +80°C / ARBEITSTEMPERATUR: -40°C BIS +80°C	
MATING CYCLES / STECKZYKLEN: 500 MAX.	
TECHNICAL DATA TECHNISCHE DATEN	



6-1437719-3 AS SHOWN
WIE GEZEICHNET

TYCO-NO. / TYCO NR.						
0-14-18049-1						
0-14-18048-1						
6-14-37719-5						
6-14-37719-4						
6-14-37719-3						
1					INSULATION TUBE 8 POS. / ISOLIERHUELSE 8 POL.	12
	1				INSULATION TUBE 7 POS. / ISOLIERHUELSE 7 POL.	11
		1			INSULATION TUBE 5 POS. / ISOLIERHUELSE 5 POL.	10
			1		INSULATION TUBE 4 POS. / ISOLIERHUELSE 4 POL.	9
				1	INSULATION TUBE 3 POS. / ISOLIERHUELSE 3 POL.	8
8	7				MALE PIN APPLIED BY PRESSURE / STIFTKONTAKT EINGEPRESST	7
		5	4	3	MALE PIN APPLIED BY PRESSURE / STIFTKONTAKT EINGEPRESST	6
1	1	1	1	1	NUT / MUTTER	5
1	1	1	1	1	SEAL / DICHTUNG	4
1	1	1	1	1	SEAL / DICHTUNG	3
1	1	1	1	1	HOUSING / GEHAUSE	2
1	1	1	1	1	GROUND ON PCB SPRING / VERBINDUNGSFEDER ZUR PCB MASSE	1
-	-	-	-	-	REVISION OF EACH ASSY NO. (WHEN BLANK, USE DWG REV.)	
QTY REQD PER ASSY					DESCRIPTION / BESCHREIBUNG	ITEM-NO. TEIL-NR.
T01-0570-P08	T01-0570-P07	T01-0570-P05	T01-0570-P04	T01-0570-P03	PARTS LIST / TEILE LISTE	
CATALOG-NO.	CATALOG-NO.	CATALOG-NO.	CATALOG-NO.	CATALOG-NO.		

THIS DRAWING IS A CONTROLLED DOCUMENT. DWN: H. GEISTER 18 JUN 2001. CHK: H. SCHERER 18 JUN 2001. APV: G. FELDMAYER 18 JUN 2001.

TE Connectivity

NAME: T01 MALE PLUG CONN. PANEL MNT. PCB VER. 3-8 POS. 180 DGR. T01 STIFTSTECKER.EINBAU. PCB VER. 3-8 POS. 180 GRAD.

SIZE: A1. CAGE CODE: 00779. DRAWING NO: 6-1437719-3. RESTRICTED TO: NUR FÜR: -

CUSTOMER DRAWING. /KUNDENZEICHNUNG. SCALE: - . SHEET: 1 OF 1. REV: A3.