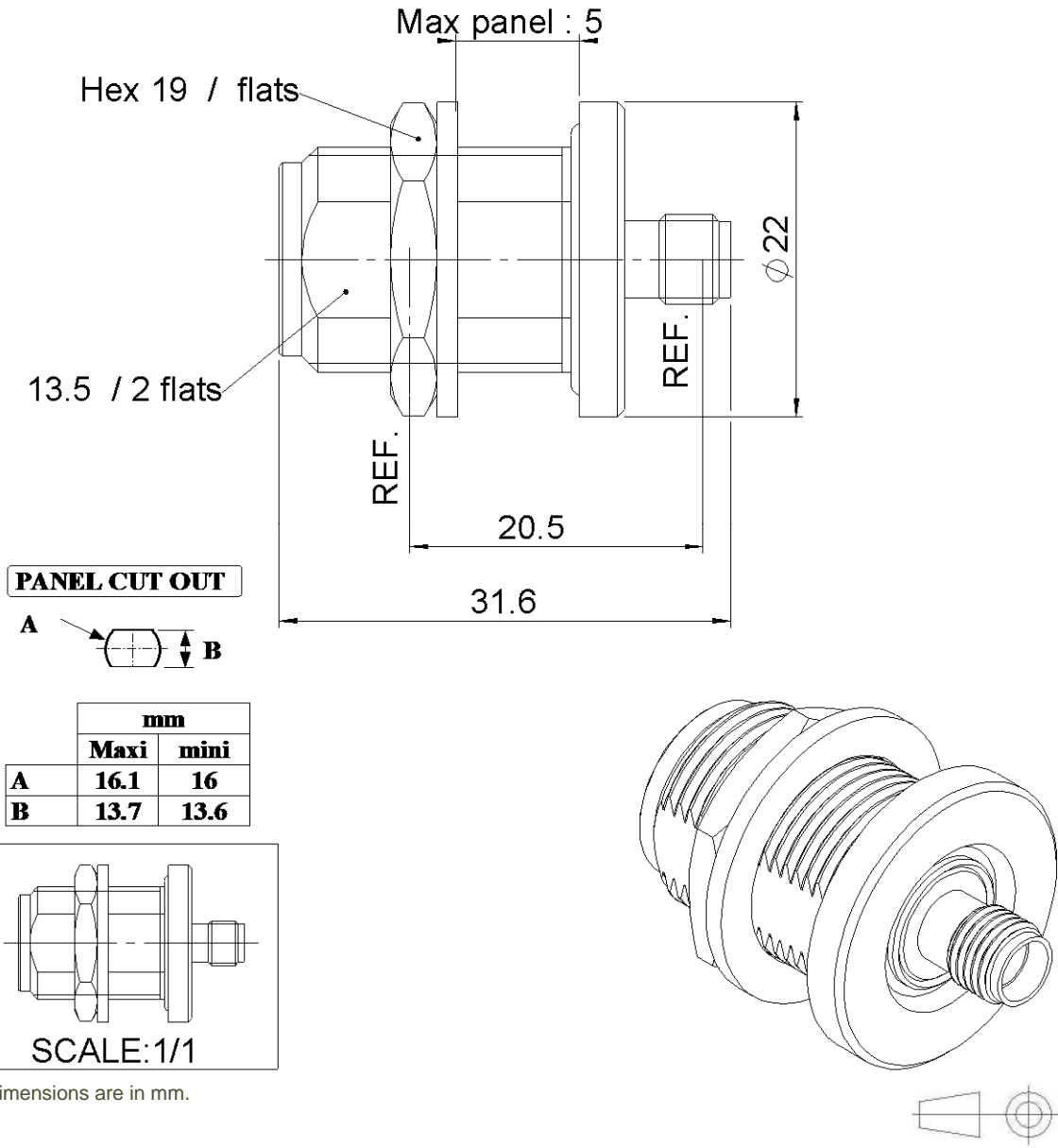


|          |                 |              |                        |
|----------|-----------------|--------------|------------------------|
| PAGE 1/2 | ISSUE 06-12-16K | SERIES ADAPT | PART NUMBER R191334000 |
|----------|-----------------|--------------|------------------------|



| COMPONENTS     | MATERIALS        | PLATING (µm)              |
|----------------|------------------|---------------------------|
| Body           | .BRASS           | SHINY NICKEL              |
| Center contact | BERYLLIUM COPPER | OR SUR SOUS COUCHE NICKEL |
| Outer contact  | --               | --                        |
| Insulator      | PTFE             |                           |
| Gasket         | SILICONE RUBBER  |                           |
| Others parts   | BERYLLIUM COPPER | SHINY NICKEL              |
| -              | -                | -                         |
| -              | -                | -                         |

|                 |                        |                     |                               |
|-----------------|------------------------|---------------------|-------------------------------|
| PAGE <b>2/2</b> | ISSUE <b>06-12-16K</b> | SERIES <b>ADAPT</b> | PART NUMBER <b>R191334000</b> |
|-----------------|------------------------|---------------------|-------------------------------|

**PACKAGING**

| Standard | Unit     | Other             |
|----------|----------|-------------------|
| <b>1</b> | <b>-</b> | <b>Contact us</b> |

**ELECTRICAL CHARACTERISTICS**

|                                 |             |              |                             |
|---------------------------------|-------------|--------------|-----------------------------|
| Impedance                       |             | <b>50</b>    | $\Omega$                    |
| Frequency                       |             | <b>0-11</b>  | GHz                         |
| VSWR                            | <b>1.30</b> | <b>+</b>     | <b>0,0000</b> x F(GHz) Maxi |
| Insertion loss                  |             | <b>0.125</b> | $\sqrt{F}$ (GHz) dB Maxi    |
| RF leakage                      | <b>- (</b>  | <b>101</b>   | - F(GHz)) dB Maxi           |
| Voltage rating                  |             | <b>500</b>   | Veff Maxi                   |
| Dielectric withstanding voltage |             | <b>1000</b>  | Veff mini                   |
| Insulation resistance           |             | <b>5000</b>  | M $\Omega$ mini             |

**MECHANICAL CHARACTERISTICS**

|                            |            |                |             |
|----------------------------|------------|----------------|-------------|
| Center contact retention   |            |                |             |
| Axial force – Mating End   |            | <b>*18</b>     | N mini      |
| Axial force – Opposite end |            | <b>*18</b>     | N mini      |
| Torque                     |            | <b>NA</b>      | N.cm mini   |
| Recommended torque         |            |                |             |
| Mating                     | <b>N</b>   | <b>0</b>       | N.cm        |
|                            | <b>SMA</b> | <b>0</b>       | N.cm        |
|                            | <b>-</b>   | <b>0</b>       | N.cm        |
| Panel nut                  |            | <b>500</b>     | N.cm        |
| Mating life                |            | <b>500</b>     | Cycles mini |
| Weight                     |            | <b>34,3200</b> | g           |

**ENVIRONMENTAL**

|               |                 |                    |
|---------------|-----------------|--------------------|
| Operating     | <b>-55/+155</b> | $^{\circ}\text{C}$ |
| Hermetic seal | <b>NA</b>       | Atm.cm3/s          |
| Panel leakage | <b>IP67</b>     |                    |

**SPECIFICATION**

**OTHER CHARACTERISTICS**

\* out of SMA CDC.