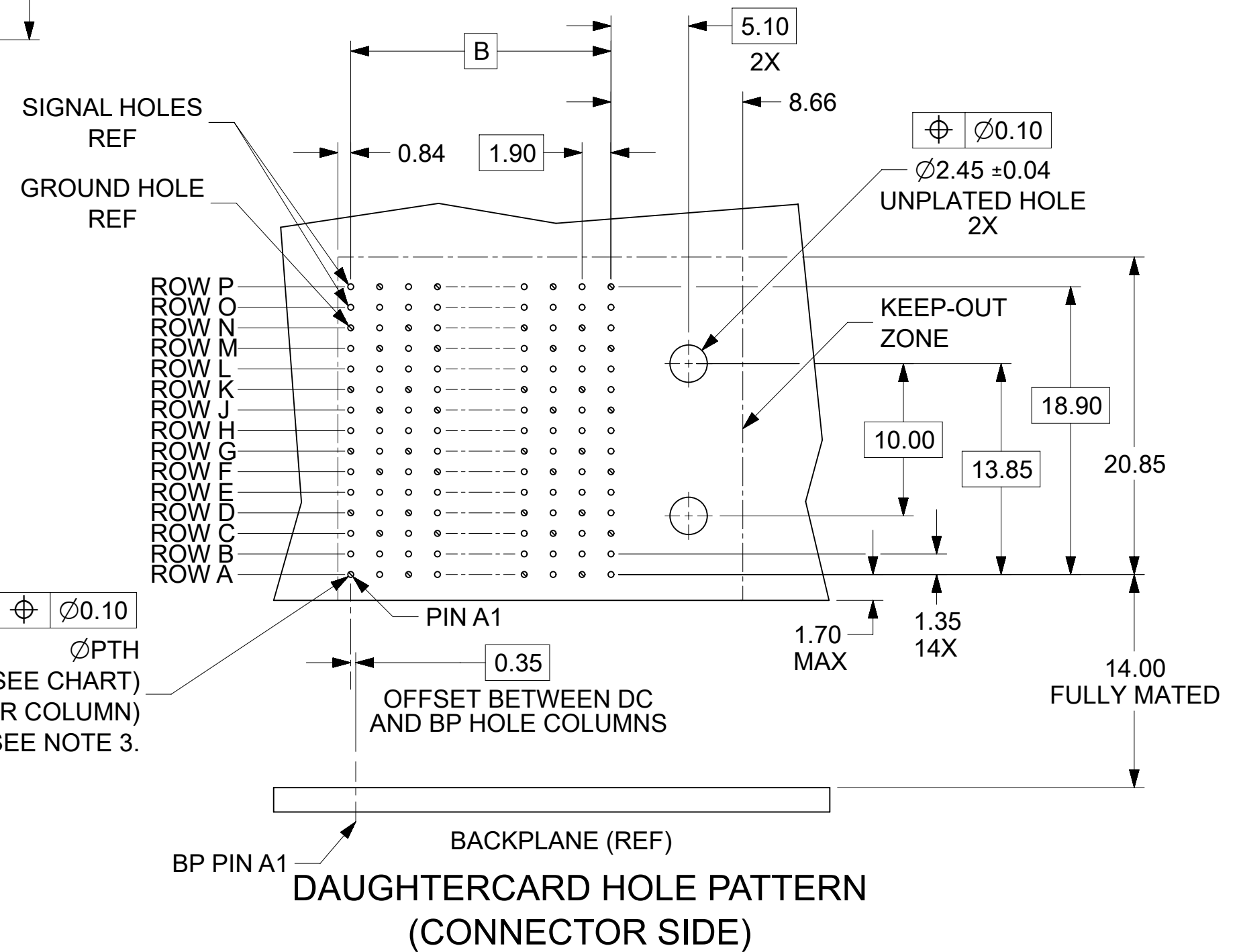
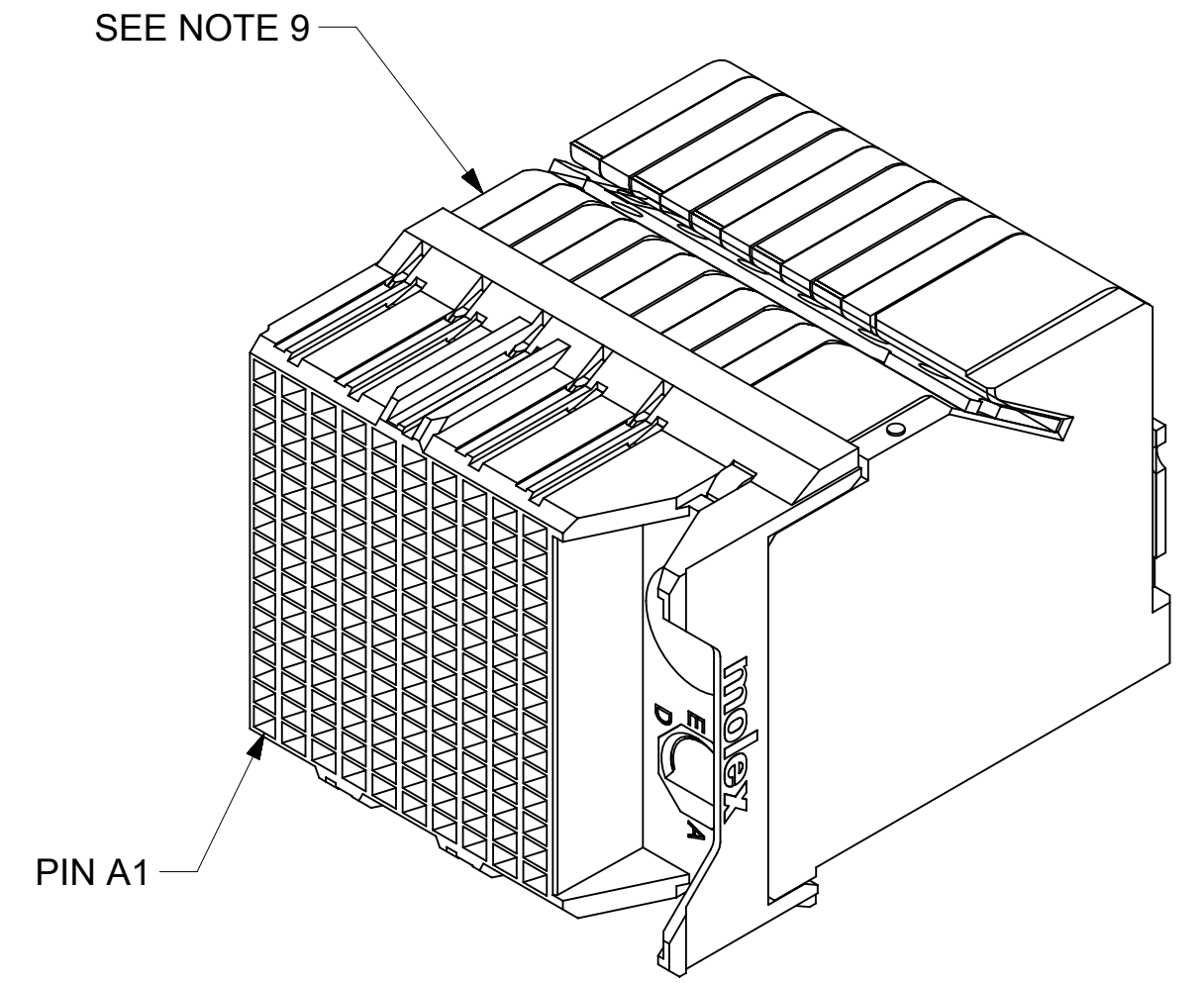
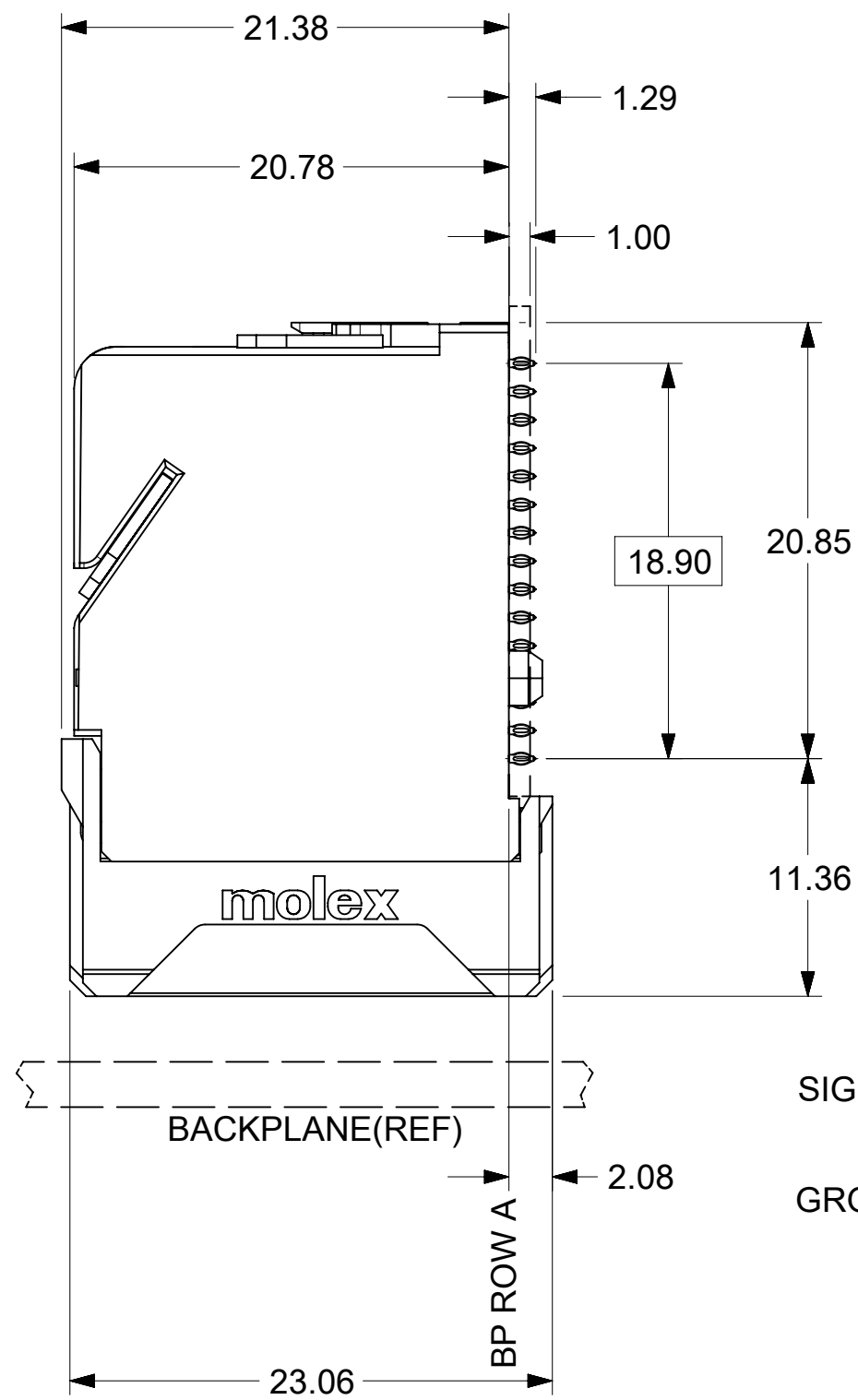


KEY SHOWN IN POSITION "A"



NOTES:

1. MATERIALS: HOUSING - LIQUID CRYSTAL POLYMER (LCP), GLASS-FILLED, UL94V-0
TERMINALS - HIGH PERFORMANCE COPPER ALLOY
2. FINISH: 30µIN MIN SELECTIVE GOLD IN CONTACT AREA, SELECTIVE TIN
ON PCB TAILS. NICKEL OVERALL.
3. REFER TO MOLEX PRODUCT SPEC PS-76060-999 FOR PERFORMANCE SPECIFICATIONS
AND ADDITIONAL PCB INFORMATION.
4. EACH SIGNAL WAFER CONTAINS 2 COLUMNS OF TERMINALS.
5. PRODUCT IS PACKAGED PER PK-70873-611.
6. THIS PART CONFORMS TO CLASS B REQUIREMENTS OF COSMETIC SPEC PS-45499-002.
7. REFER TO MOLEX SALES DRAWING SD-76055-003 FOR THE MATING HEADERS.
8. REFER TO MOLEX PCB MOUNTING GUIDE AS 76060-990 FOR ANTIPAD AND ROUTING
RECOMMENDATIONS.
9. PART NUMBER 76060-5120 SHOWN ON DRAWING. KEYING FEATURES WILL CHANGE
WITH COLUMN SIZE.
10. MINIMUM BOARD THICKNESS IS 1.00 mm FOR COMPLIANT PIN FUNCTIONALITY.
11. WHEN USING MOLEX SUPPLIED #2-32 SCREW 73726-0000 (9.50mm ±0.38
THREADABLE SCREW LENGTH), THE MAXIMUM BOARD THICKNESS IS 4.4mm.
12. MARKING: LOCATED APPROXIMATELY AS SHOWN. PART NUMBER AND DATE CODE.

| | | | | | | | | | | | | | |
|---|--|----------------|--|---|--|----------|--|------------------------|--|---------|--|---|--|
| THIS DRAWING CONTAINS INFORMATION THAT IS PROPRIETARY TO MOLEX ELECTRONIC TECHNOLOGIES, LLC AND SHOULD NOT BE USED WITHOUT WRITTEN PERMISSION | | | | | | | | | | | | | |
| DIMENSION UNITS | | SCALE | | CURRENT REV DESC: REMASTERED TO NX | | | | | | | | | |
| mm | | NTS | | | | | | | | | | | |
| GENERAL TOLERANCES (UNLESS SPECIFIED) | | | | EC NO: 705090 DRWN: SKANDB 2021/09/27 CHK'D: VINODM3 2022/02/17 APPR: LZENG 2022/05/13 INITIAL REVISION: DRWN: MCARRANZA 2007/07/11 APPR: JLAURX 2007/07/11 | | | | | | | | IMPACT 100 OHM DC 5 PAIR SIGNAL MODULE GUIDE RIGHT SALES DWG | |
| ANGULAR TOL ± 0.5° | | | | 3 PLACES ± | | | | 2 PLACES ± 0.13 | | | | PRODUCT CUSTOMER DRAWING | |
| 4 PLACES ± | | | | 3 PLACES ± | | | | 1 PLACE ± 0.25 | | | | DOCUMENT NUMBER | |
| 0 PLACES ± | | | | DRAFT WHERE APPLICABLE MUST REMAIN WITHIN DIMENSIONS | | | | THIRD ANGLE PROJECTION | | DRAWING | | SERIES | |
| C-SIZE | | 76060 | | MATERIAL NUMBER | | CUSTOMER | | SHEET NUMBER | | | | | |
| SEE TABLE | | GENERAL MARKET | | SD-76060-004 | | PSD 001 | | K | | 1 OF 2 | | | |

| MATERIAL NUMBER | # OF COLUMNS | # OF DIFF PAIR | DIM "A" MAX | DIM "B" | PTHØ |
|-----------------|--------------|----------------|-------------|---------|---------------|
| 76060-***0 | 10 | 50 | 26.60 | 17.10 | 0.46 ±0.05 |
| 76060-***2 | 12 | 60 | 30.40 | 20.90 | |
| 76060-***4 | 14 | 70 | 34.20 | 24.70 | |
| 76060-***6 | 16 | 80 | 38.00 | 28.50 | |
| 76060-***0 | 10 | 50 | 26.60 | 17.10 | 0.39 ±0.05 |
| 76060-***2 | 12 | 60 | 30.40 | 20.90 | |
| 76060-***4 | 14 | 70 | 34.20 | 24.70 | |
| 76060-***6 | 16 | 80 | 38.00 | 28.50 | |

76060-****

MODULE & TAIL PLATING TYPE
5 = RIGHT GUIDED LEAD-FREE

POLARIZATION KEY ORIENTATION

- 0 = NO KEY
 1 = A 5 = E
 2 = B 6 = F
 3 = C 7 = G
 4 = D 8 = H

- # OF COLUMNS
 10 = 10 COL 0.46 PTH
 12 = 12 COL 0.46 PTH
 14 = 14 COL 0.46 PTH
 16 = 16 COL 0.46 PTH
 20 = 10 COL 0.39 PTH
 22 = 12 COL 0.39 PTH
 24 = 14 COL 0.39 PTH
 26 = 16 COL 0.39 PTH

| | | | | | | | | | | | |
|---|---|-------|------|--|--|----------------|---|--------------|----------|----------|----------|
| THIS DRAWING CONTAINS INFORMATION THAT IS PROPRIETARY TO MOLEX ELECTRONIC TECHNOLOGIES, LLC AND SHOULD NOT BE USED WITHOUT WRITTEN PERMISSION | | | | | | | | | | | |
| DIMENSION UNITS | | SCALE | | CURRENT REV DESC: REMASTERED TO NX | | | molex | | | | |
| mm | | NTS | | | | | | | | | |
| GENERAL TOLERANCES (UNLESS SPECIFIED) | | | | EC NO: 705090 DRWN: SKANDB 2021/09/27 CHK'D: VINODM3 2022/02/17 APPR: LZENG 2022/05/13 INITIAL REVISION: DRWN: JLAURX 2008/06/12 APPR: JLAURX 2010/11/04 | | | IMPACT 100 OHM DC 5 PAIR SIGNAL MODULE GUIDE RIGHT SALES DWG | | | | |
| | | MM | INCH | | | | PRODUCT CUSTOMER DRAWING | | | | |
| 4 PLACES | ± | | ± | | | | DOCUMENT NUMBER | | | | |
| 3 PLACES | ± | | ± | | | | SD-76060-004 | | DOC TYPE | DOC PART | REVISION |
| 2 PLACES | ± | 0.13 | ± | | | | PSD | | 001 | K | |
| 1 PLACE | ± | 0.25 | ± | MATERIAL NUMBER | | CUSTOMER | | SHEET NUMBER | | | |
| 0 PLACES | ± | | ± | SEE TABLE | | GENERAL MARKET | | 2 OF 2 | | | |
| ANGULAR TOL ± 0.5 ° | | | | THIRD ANGLE PROJECTION | | DRAWING | SERIES | | | | |
| DRAFT WHERE APPLICABLE MUST REMAIN WITHIN DIMENSIONS | | | | | | C-SIZE | 76060 | | | | |

| | | | |
|-----------------|----|--------------|---------------------|
| DOCUMENT STATUS | P1 | RELEASE DATE | 2022/05/13 03:06:32 |
|-----------------|----|--------------|---------------------|