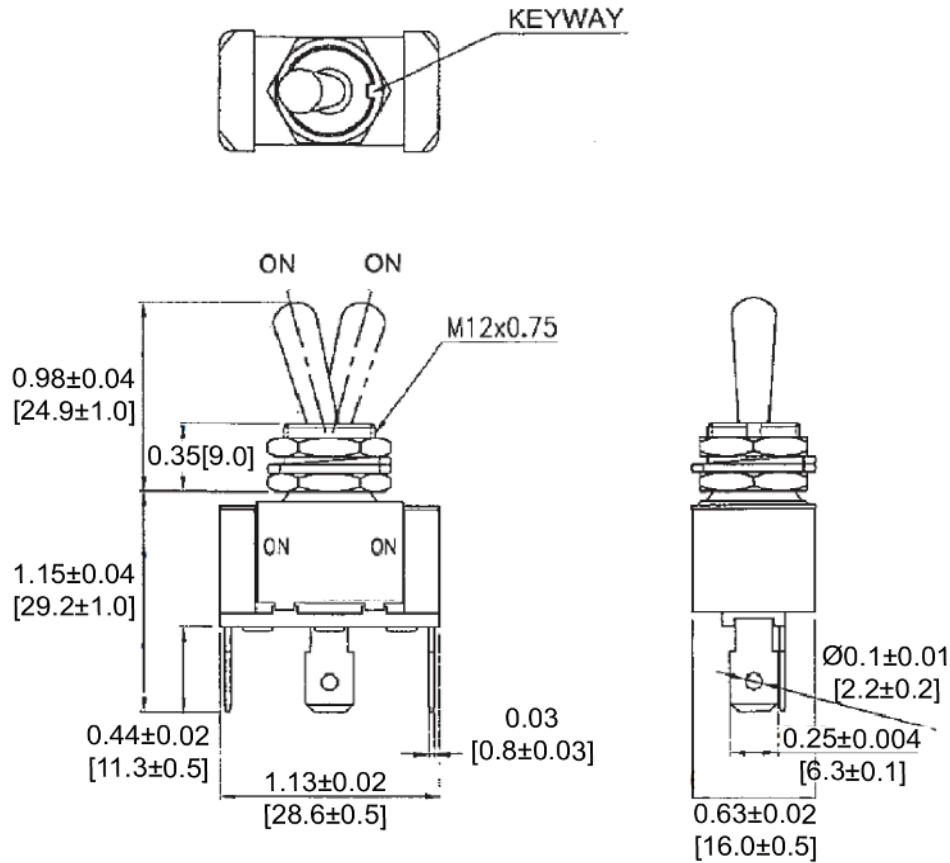
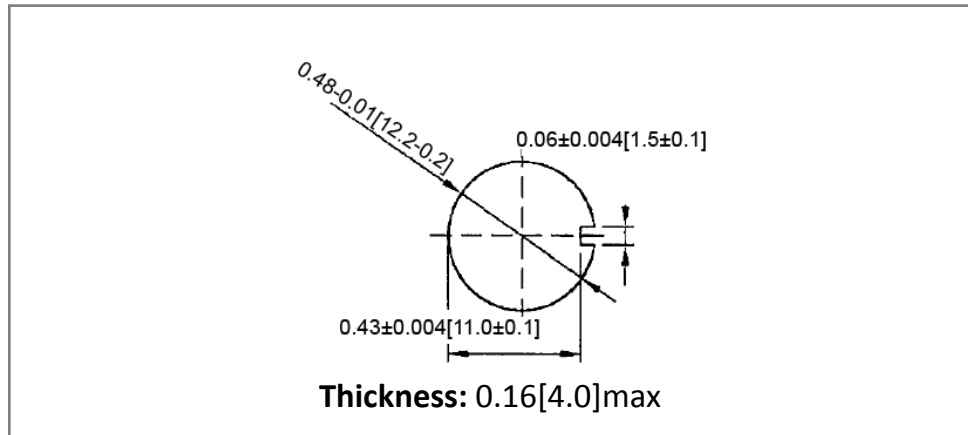


Mechanical Dimensions: Inches [mm]

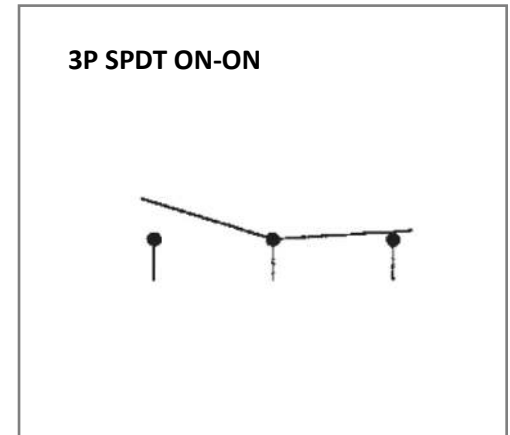
Tolerances ± 0.012 [0.3] Unless Otherwise Specified



Mounting Hole



Circuit Diagram



Electrical Specifications

Rating	20A 12V DC, 10A 24V DC
Contact Resistance	50m ohm Max
Insulation Resistance	DC 500V 100M ohm Min
Dielectric Strength	AC 1500V 1 minute
Operation Temperature	0°C ~ 65°C

Material Specifications

2 HEX NUT ASSY
1 SPRING WASHER ASSY

Rev Date of issue Revision Notes

Designed Approved

B	03-04-2020	Initial Drawing	RC	OF
---	------------	-----------------	----	----