

4

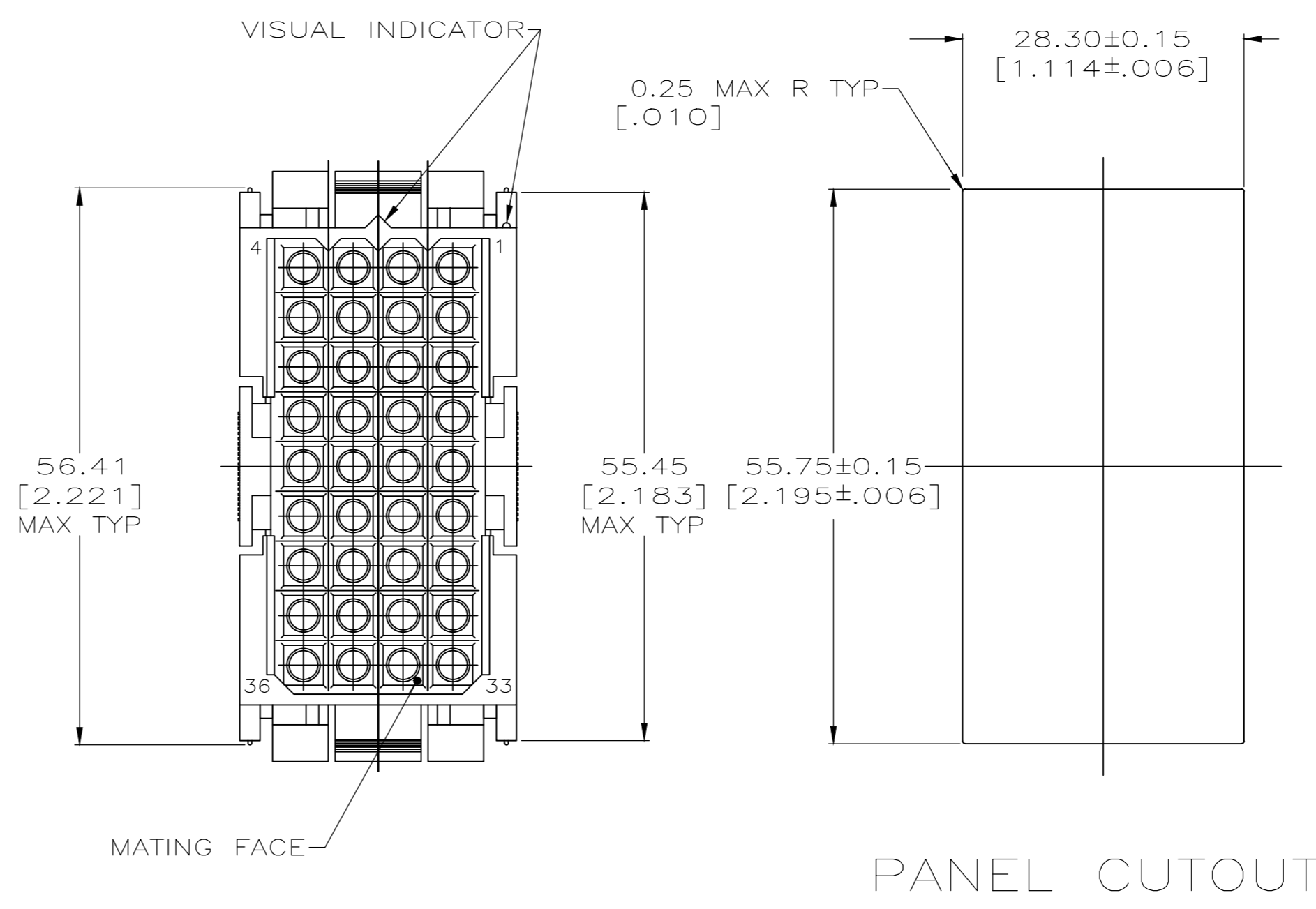
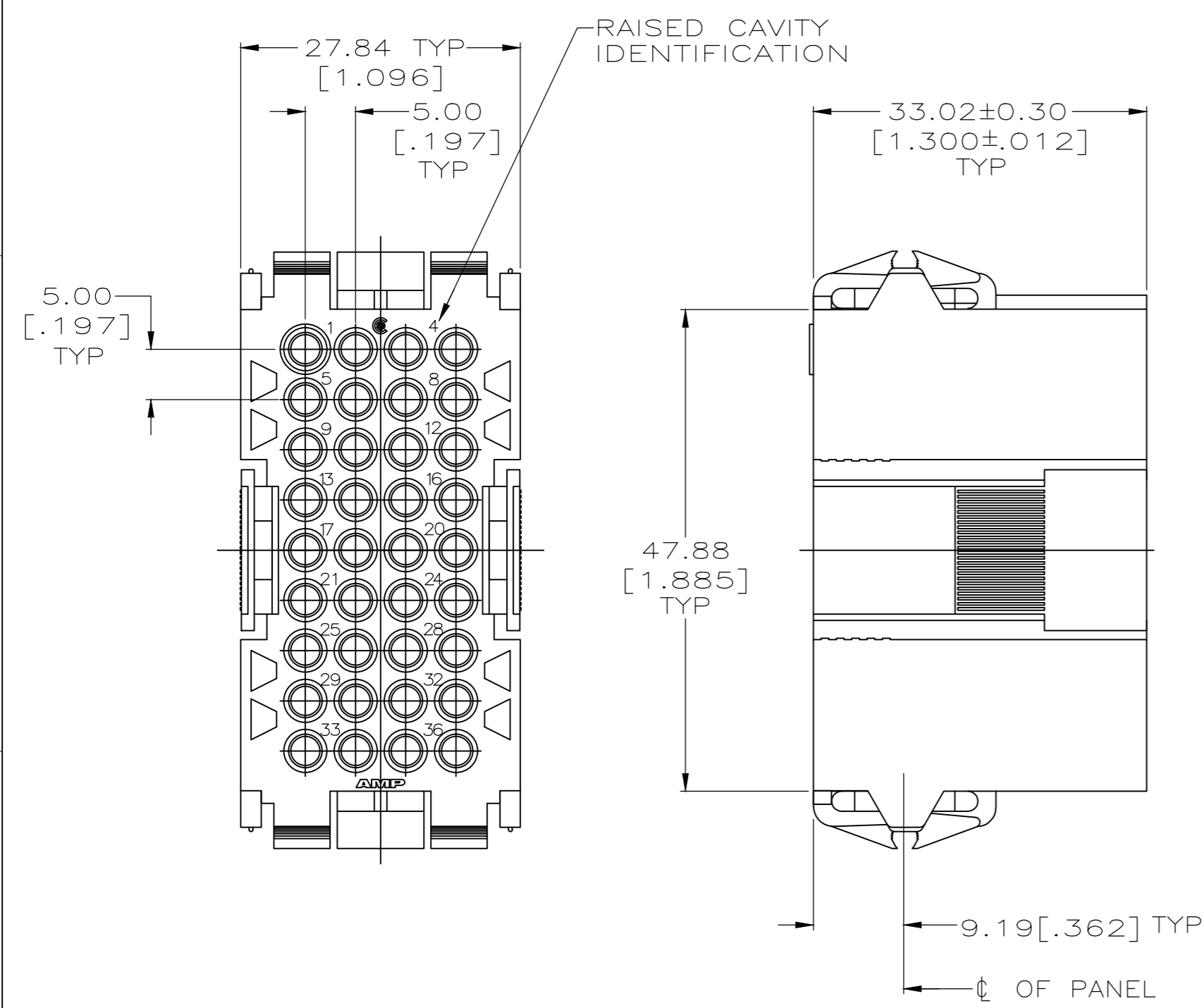
3

2

1

THIS DRAWING IS UNPUBLISHED. RELEASED FOR PUBLICATION
 © COPYRIGHT - TE Connectivity Ltd. ALL RIGHTS RESERVED.

REVISIONS				
P	LTR	DESCRIPTION	DATE	APVD
U		REVISED PER ECO-20-002227	19FEB2020	RK MZ



PANEL CUTOUT

- 1. PANEL RETENTION MECHANISM ACCOMMODATES PANEL THICKNESSES FROM 0.76[.030] TO 2.29[.090].
- 2. SAME AS 207020-1 EXCEPT: ROUNDED EDGES ON THE OUTSIDE OF THE HOUSING AND A 45° ANGLE ON THE OUTSIDE OF THE HOUSING BY THE LOCKING LATCHES, REF 928097.
- 3. OBSOLETE PARTS: OBSOLETE CIS STREAMLINING PER D.RENAUD/D.SINISI
- 4. HOUSING MATERIAL: PA66, BLACK, UL 94 V-0 RATED.

3 OBSOLETE	2 207020-2
	207020-1
PART NUMBER	

THIS DRAWING IS A CONTROLLED DOCUMENT.		DWN W.LENKER 08/26/92	TE TE Connectivity	
DIMENSIONS: mm [INCHES]		CHK R.STONE 8-31-92		
TOLERANCES UNLESS OTHERWISE SPECIFIED:		APVD A.TRAVIS 9-2-92	NAME HOUSING, RECEPTACLE, 36 POSITION, METRIMATE	
0 PLC ± -		APPLICATION SPEC 108-10033		
1 PLC ± -		SIZE A2		
2 PLC ± 0.25 [.010]		CAGE CODE 00779		
3 PLC ± -		DRAWING NO C-207020		
4 PLC ± -		RESTRICTED TO -		
ANGLES ± -		WEIGHT -		
MATERIAL 4		CUSTOMER DRAWING		
FINISH -		SCALE 2:1 SHEET 1 of 1 REV U		

207020
B

A