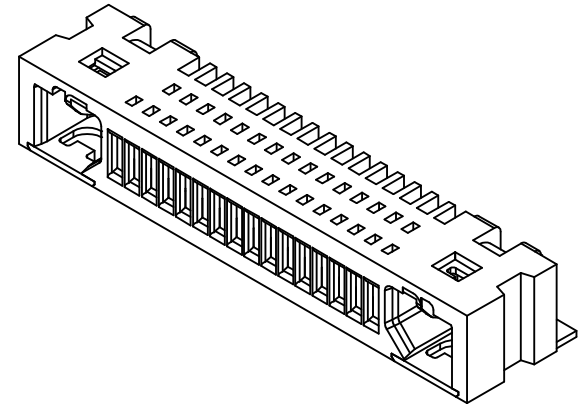
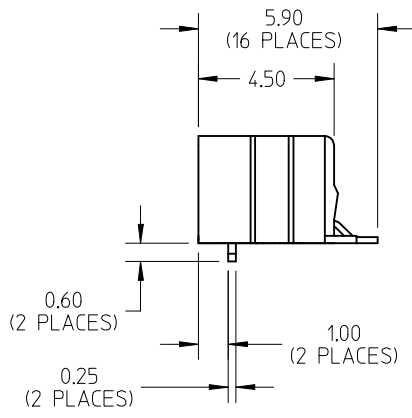
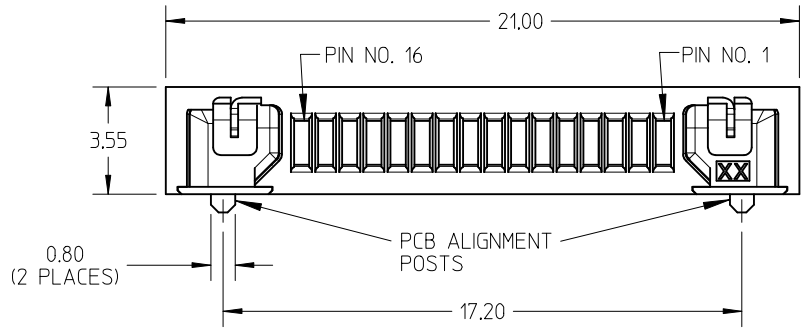


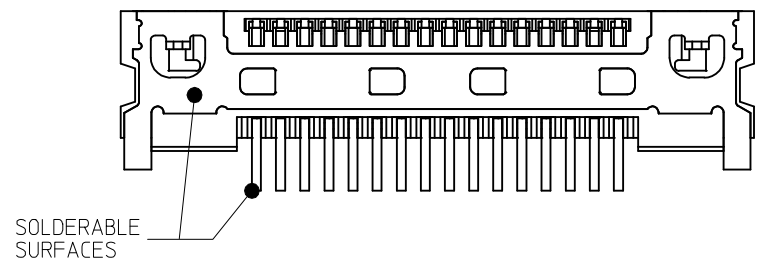
SOLDER JOINT
REINFORCEMENT TABS
0.90 (2 PLACES)



- NOTES:
1. MATERIALS: HOUSING - GLASS-REINFORCED THERMOPLASTIC, UL94V-0, COLOR: BLACK.
TERMINALS - COPPER ALLOY
 2. FINISHES: CONTACT SURFACES - SELECTIVE GOLD OVER PALLADIUM-NICKEL OVER NICKEL
SOLDERING SURFACES - TIN OVER NICKEL
 3. PRODUCT SPECIFICATION: PS-44828-001
APPLICATION SPECIFICATION: AS-44828-001
 4. CO-PLANARITY OF THE SOLDER TAILS TO BE 0.10 MAXIMUM.
 5. PACKAGING: EMBOSSED TAPE AND REEL, PACKAGING SPECIFICATION PK-44828-001.



448281162	16 CIRCUIT WITH PCB ALIGNMENT POST.	1000
MATERIAL NO.S	DESCRIPTION	PARTS PER REEL



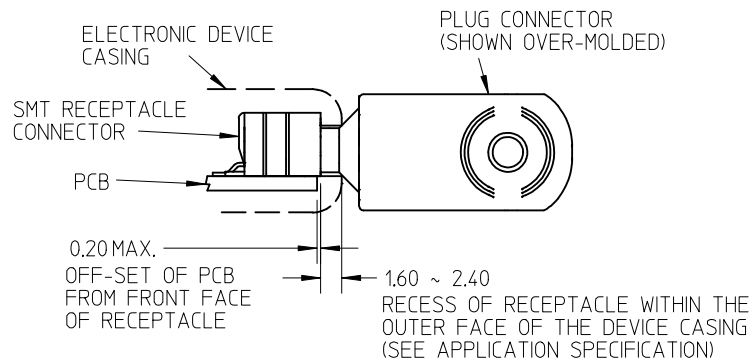
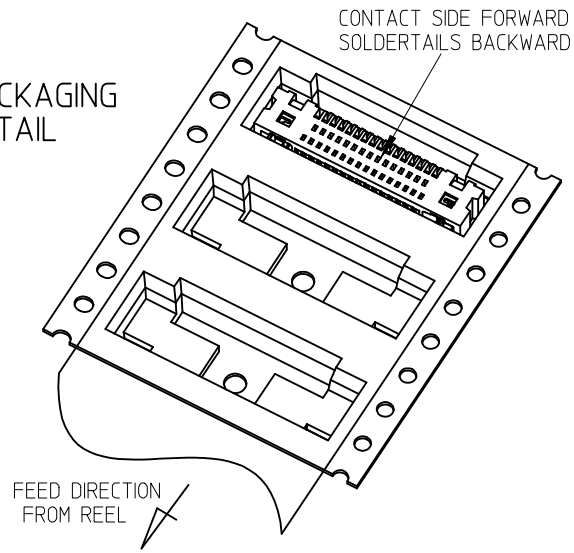
UPDATE GEOMETRY	DRWN:DMORGAN	2015/04/16
EC NO: UCP2015-4283	CHKD:BBARKER	2015/04/16
	APPR:SMILLER	2015/04/27
D	REV	DESCRIPTION

QUALITY SYMBOLS	▽=0
	▽=0
	▽=0

GENERAL TOLERANCES (UNLESS SPECIFIED)		
	mm	INCH
4 PLACES	± ---	± ---
3 PLACES	± ---	± ---
2 PLACES	± 0.10	± ---
1 PLACE	± 0.10	± ---
0 PLACE	±	±
ANGULAR ±1/2°		
DRAFT WHERE APPLICABLE MUST REMAIN WITHIN DIMENSIONS		

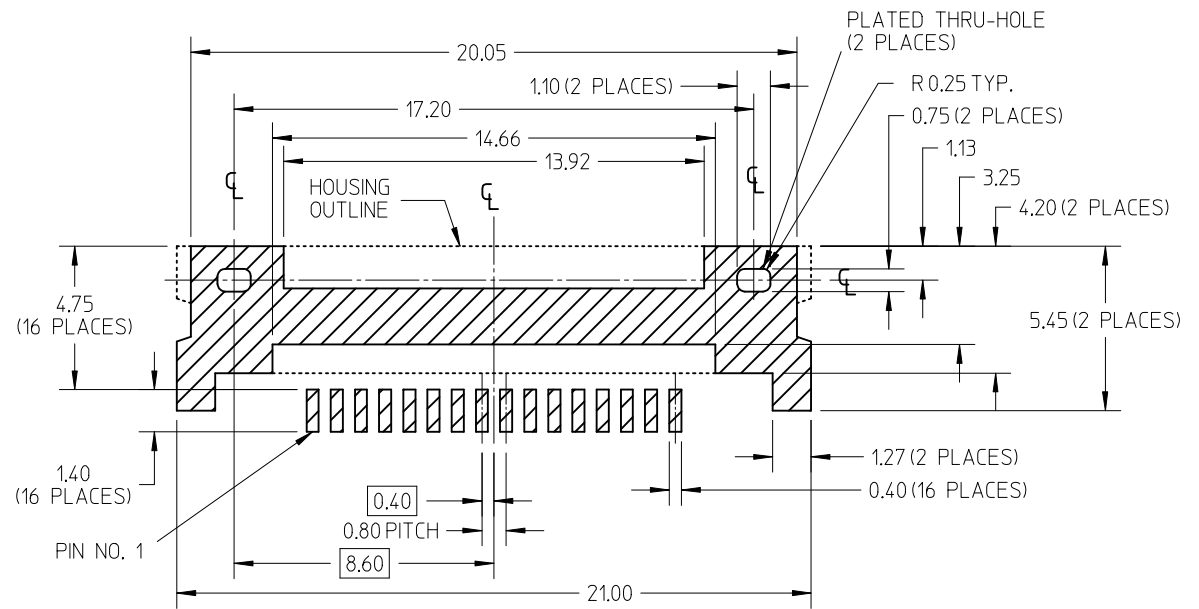
DIMENSION STYLE		SCALE	DESIGN UNITS
MM ONLY		4:1	METRIC
DRAWN BY	DATE	TITLE	
MSIMMEL	2002/09/25	0.8MM HANDYLINK SMT RECEPTACLE 16 CIRCUIT	
CHECKED BY	DATE		
JCOMERC1	2002/09/26		
APPROVED BY	DATE	molex	
SMILLER	2010/03/29	DOCUMENT NO.	
MATERIAL NO.		SD-44828-001	
SIZE	SEE TABLE		SHEET NO.
A	THIS DRAWING CONTAINS INFORMATION THAT IS PROPRIETARY TO MOLEX INCORPORATED AND SHOULD NOT BE USED WITHOUT WRITTEN PERMISSION		1 OF 2

**PACKAGING
DETAIL**



**RECOMMENDATIONS FOR CONFIGURATION
OF MATED CONNECTORS**

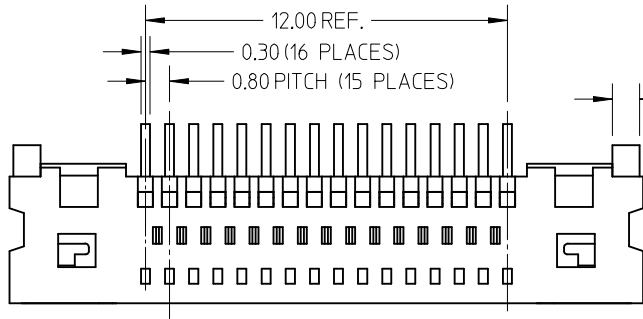
IMPORTANT: PLEASE REFER TO MOLEX APPLICATION SPECIFICATION AS-44828-001
FOR DETAILED DESIGN LAYOUT AND MATING REQUIREMENTS



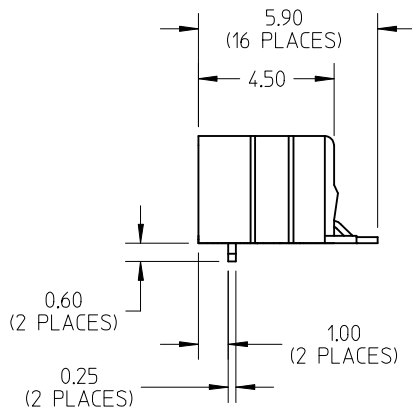
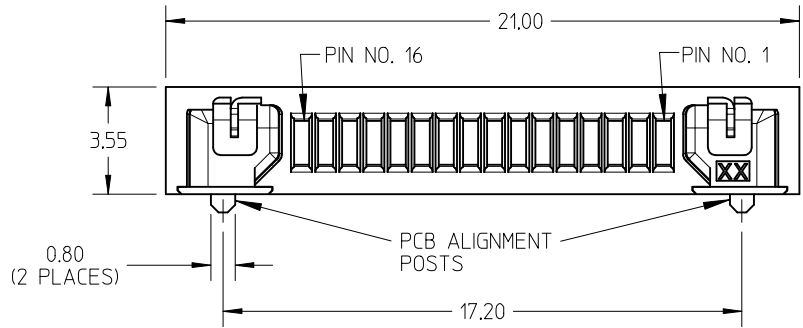
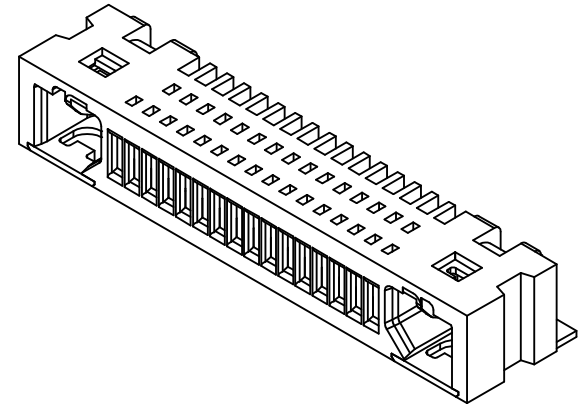
RECOMMENDED PCB PAD LAYOUT

NOTE: ALL DIMENSIONS TO BE SYMMETRIC
ABOUT THE HOUSING CENTERLINE WITHIN 0.10

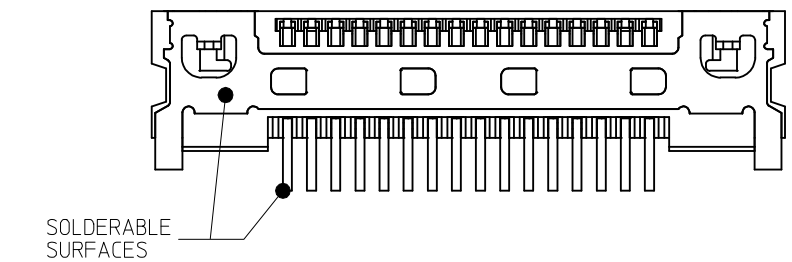
SEE SHEET 1 EC NO: UCP2015-4283 DRWN:DMORGAN 2015/04/16 CHKD:BBARKER 2015/04/16 APPR:SMILLER 2015/04/27	DESCRIPTION REV	QUALITY SYMBOLS	GENERAL TOLERANCES (UNLESS SPECIFIED)		DIMENSION STYLE MM ONLY		SCALE 4:1	DESIGN UNITS METRIC	THIRD ANGLE PROJECTION			
		$\nabla \text{E} = 0$ $\nabla \text{E} = 0$ $\nabla \text{E} = 0$	mm	INCH	DRAWN BY MSIMMEL	DATE 2002/09/25	TITLE		0.8MM HANDYLINK SMT RECEPTACLE 16 CIRCUIT molex			
		4 PLACES \pm --- \pm --- 3 PLACES \pm --- \pm --- 2 PLACES \pm 0.10 \pm --- 1 PLACE \pm 0.10 \pm --- 0 PLACE \pm \pm	ANGULAR \pm 1/2°		CHECKED BY JCOMERC I	DATE 2002/09/26	DOCUMENT NO. SD-44828-001					SHEET NO. 2 OF 2
		DRAFT WHERE APPLICABLE MUST REMAIN WITHIN DIMENSIONS		SEE TABLE		MATERIAL NO.		THIS DRAWING CONTAINS INFORMATION THAT IS PROPRIETARY TO MOLEX INCORPORATED AND SHOULD NOT BE USED WITHOUT WRITTEN PERMISSION				
						SIZE A						



SOLDER JOINT
REINFORCEMENT TABS
0.90 (2 PLACES)



- NOTES:
1. MATERIALS: HOUSING - GLASS-REINFORCED THERMOPLASTIC, UL94V-0, COLOR: BLACK.
TERMINALS - COPPER ALLOY
 2. FINISHES: CONTACT SURFACES - SELECTIVE GOLD OVER PALLADIUM-NICKEL OVER NICKEL
SOLDERING SURFACES - TIN OVER NICKEL
 3. PRODUCT SPECIFICATION: PS-44828-001
APPLICATION SPECIFICATION: AS-44828-001
 4. CO-PLANARITY OF THE SOLDER TAILS TO BE 0.10 MAXIMUM.
 5. PACKAGING: EMBOSSED TAPE AND REEL, PACKAGING SPECIFICATION PK-44828-001.



448281162	16 CIRCUIT WITH PCB ALIGNMENT POST.	1000
MATERIAL NO.S	DESCRIPTION	PARTS PER REEL

UPDATE GEOMETRY	DRWN:DMORGAN	2015/04/16
EC NO: UCP2015-4283	CHKD:BBARKER	2015/04/16
	APPR:SMILLER	2015/04/27
D	REV	

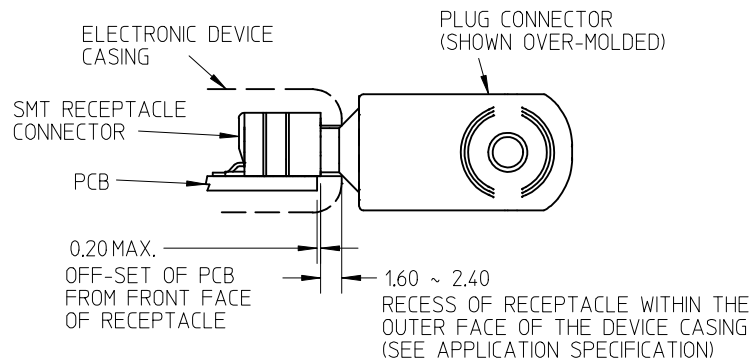
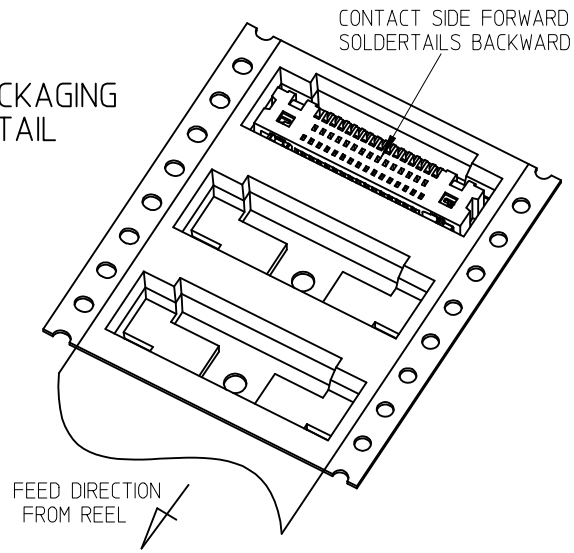
QUALITY SYMBOLS	DESCRIPTION
$\nabla = 0$	
$\nabla = 0$	
$\nabla = 0$	

GENERAL TOLERANCES (UNLESS SPECIFIED)		
	mm	INCH
4 PLACES	\pm ---	\pm ---
3 PLACES	\pm ---	\pm ---
2 PLACES	\pm 0.10	\pm ---
1 PLACE	\pm 0.10	\pm ---
0 PLACE	\pm	\pm
ANGULAR $\pm 1/2^\circ$		
DRAFT WHERE APPLICABLE MUST REMAIN WITHIN DIMENSIONS		

DIMENSION STYLE	
MM ONLY	
DRAWN BY	DATE
MSIMMEL	2002/09/25
CHECKED BY	DATE
JCOMERC1	2002/09/26
APPROVED BY	DATE
SMILLER	2010/03/29
MATERIAL NO.	
SEE TABLE	

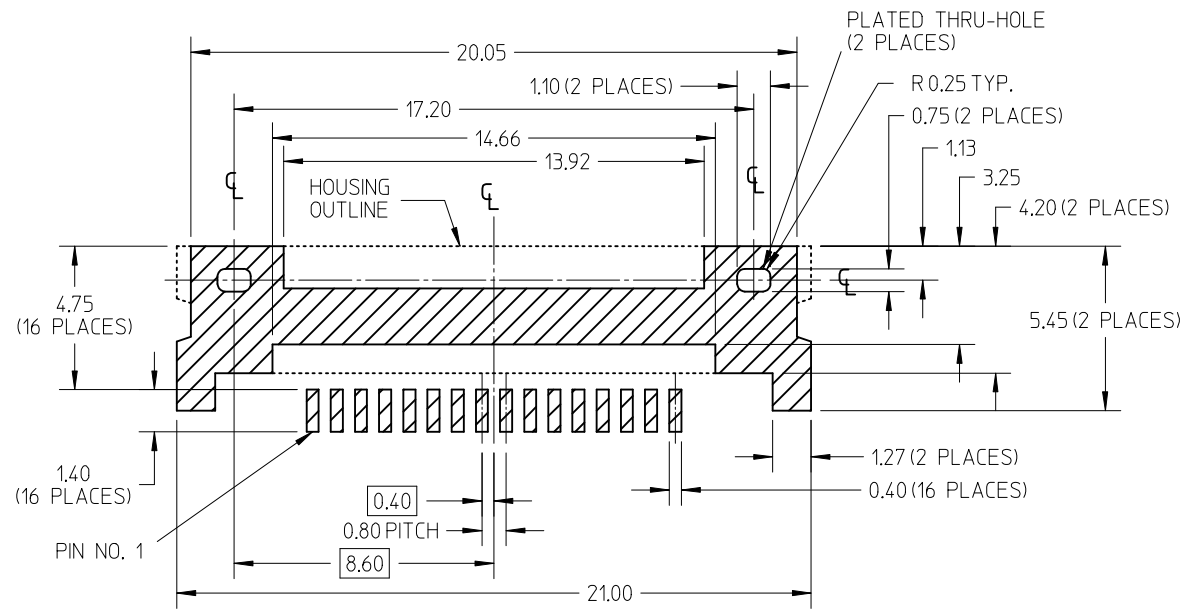
SCALE	DESIGN UNITS	THIRD ANGLE PROJECTION	
4:1	METRIC		
TITLE			
0.8MM HANDYLINK SMT RECEPTACLE 16 CIRCUIT			
molex			
DOCUMENT NO.		SHEET NO.	
SD-44828-001		1 OF 2	

**PACKAGING
DETAIL**



**RECOMMENDATIONS FOR CONFIGURATION
OF MATED CONNECTORS**

IMPORTANT: PLEASE REFER TO MOLEX APPLICATION SPECIFICATION AS-44828-001
FOR DETAILED DESIGN LAYOUT AND MATING REQUIREMENTS



RECOMMENDED PCB PAD LAYOUT

NOTE: ALL DIMENSIONS TO BE SYMMETRIC
ABOUT THE HOUSING CENTERLINE WITHIN 0.10

SEE SHEET 1 EC NO: UCP2015-4283 DRWN:DMORGAN 2015/04/16 CHKD:BBARKER 2015/04/16 APPR:SMILLER 2015/04/27	DESCRIPTION REV	QUALITY SYMBOLS	GENERAL TOLERANCES (UNLESS SPECIFIED)		DIMENSION STYLE MM ONLY		SCALE 4:1	DESIGN UNITS METRIC	THIRD ANGLE PROJECTION	
		$\nabla = 0$ $\nabla = 0$ $\nabla = 0$	mm	INCH	DRAWN BY MSIMMEL	DATE 2002/09/25	TITLE 0.8MM HANDYLINK SMT RECEPTACLE 16 CIRCUIT molex			
		4 PLACES ± --- ± --- 3 PLACES ± --- ± --- 2 PLACES ± 0.10 ± --- 1 PLACE ± 0.10 ± --- 0 PLACE ± ±	ANGULAR ±1/2°		CHECKED BY JCOMERC I	DATE 2002/09/26				
		DRAFT WHERE APPLICABLE MUST REMAIN WITHIN DIMENSIONS			MATERIAL NO. SEE TABLE		DOCUMENT NO. SD-44828-001			SHEET NO. 2 OF 2
		SIZE A THIS DRAWING CONTAINS INFORMATION THAT IS PROPRIETARY TO MOLEX INCORPORATED AND SHOULD NOT BE USED WITHOUT WRITTEN PERMISSION								