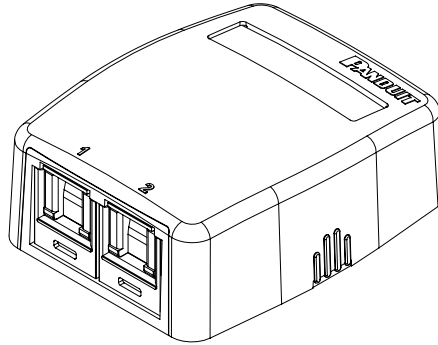
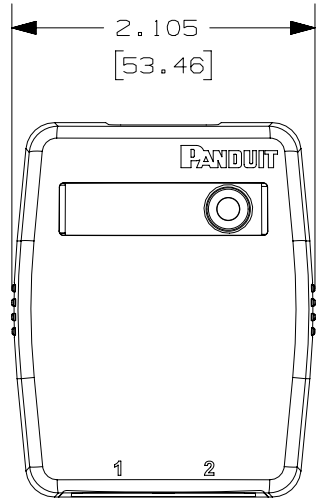


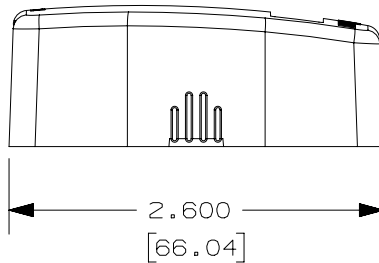
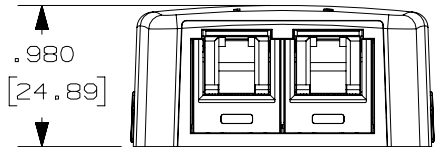
THIS COPY IS PROVIDED ON A RESTRICTED BASIS AND IS NOT TO BE USED IN ANY WAY DETRIMENTAL TO THE INTERESTS OF PANDUIT CORP.



PANDUIT P/N	WEIGHT
J0Q2H500	.87 LB/10 PCS
J0Q2H500BL	394.6 g/10 PCS

NOTES:

- SEE CURRENT CATALOG FOR ADDITIONAL PART NUMBER SUFFIXES TO INDICATE COLOR AND/OR PACKAGE QUANTITY.
- SEE CATALOG FOR A COMPLETE LIST OF PARTS APPLICABLE FOR USE WITH THIS PART.
- DIMENSIONS IN PARENTHESES ARE IN METRIC.
- BREAKOUTS DESIGNED TO ACCEPT LD3/LDPH3 and LD5/LDPH5 RACEWAY.
- INCLUDED WITH BOX KIT:
 - (1) BOX COVER
 - (1) BOX BASE
 - (1) PLT1M PAN-TY
 - (1) LABEL AND LABEL COVER
 - (1) SCREW (USED TO SECURE COVER TO BASE)
 - (1) MAGNET (ATTACHED)
 - (2) CJH5E88TG SHUTTERED JACK



PART NUMBER		SEE TABLE	
TITLE			
MINI-COM 2 PORT SHUTTERED CAT 5e SURFACE MOUNT BOX KIT CUSTOMER DRAWING			
ITEM REVISION NAME		15M583CI/13	PANDUIT
DATASET FILE NAME		15M583CI_DC03/13A	
UNLESS OTHERWISE SPECIFIED, DIMENSIONAL TOLERANCES ARE: IN (mm)			MATERIAL:
.X ±		.XXX ±	DRAWING NUMBER: 15M583CI-03
.XX ±		ANGLES ±	
		THIRD ANGLE PROJECTION	
DRAWN BY	DATE	CHK	SCALE
BJN	4-5-16	JCO	NONE
REV		SHT 1 OF 2	
DATE		SIZE	
4-11-16		A	

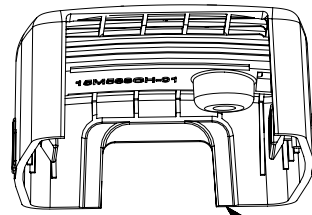
REV	DATE	BY	CHK	APR	DESCRIPTION	ECN
1	8-09-16	MDJR	JCO	MMR	UPDATED CAD MODEL	15M583CI-03
R	4-11-16	BJN	JCO	MMR	RELEASED TO PRODUCTION	15M583CI-03

D10100DA/14

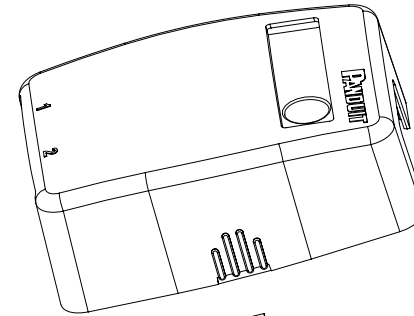
THIS COPY IS PROVIDED ON A RESTRICTED BASIS AND IS NOT TO BE USED IN ANY WAY DETRIMENTAL TO THE INTERESTS OF PANDUIT CORP.

2

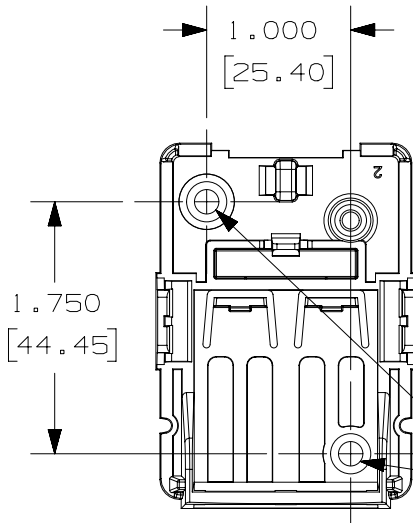
1



BREAKOUT AREA



PAN-TY LOOP FOR CABLE HOLD-DOWN



MOUNTING HOLES FOR #6 COUNTERSUNK SCREW (NOT INCLUDED)

PART NUMBER		SEE TABLE	
TITLE			
<p align="center">MINI-COM 2 PORT SHUTTERED CAT 5e SURFACE MOUNT BOX KIT</p> <p align="center">CUSTOMER DRAWING</p>			
ITEM REVISION NAME		15M583CI/13	
DATASET FILE NAME		15M583CI_DC03/13A	
UNLESS OTHERWISE SPECIFIED, DIMENSIONAL TOLERANCES ARE: IN (mm)		PANDUIT	
.X ±		.XXX ±	
.XX ±		ANGLES ±	
		THIRD ANGLE PROJECTION	
DRAWN BY		DATE	
BJN		4-5-16	
CHK		SCALE	
JCO		NONE	
DRAWING NUMBER:		SHT 2 OF 2	
15M583CI-03		A	

REV	DATE	BY	CHK	APR	DESCRIPTION	ECN
1	8-09-16	MDJR	JCO	MMR	SEE SHEET 1 FOR REVISION HISTORY	15M583CI-03
R	4-11-16	BJN	JCO	MMR	SEE SHEET 1 FOR REVISION HISTORY	15M583CI-03

2

1

D10100DA/14