

REVISIONS					
P	LTR	DESCRIPTION	DATE	DWN	APVD
	B1	Mass $\varnothing 2.55+0.15$ war $\varnothing 2.7\pm 0.15$	08JUL93	—	R.Schäfer
	B2	INFORMATION TRANSFERRED TO PGD 2294553	10MAY2016	MR	—


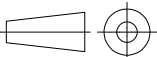
**FOR LATEST INFORMATION OF THE PRODUCT REFER TO
 PRODUCT GROUP DRAWING
 2294553
 FUER DIE AKTUELLSTEN INFORMATIONEN ZUM PRODUKT
 SIEHE PRODUKT-GRUPPENZEICHNUNG
 2294553**

RELEASED FOR PUBLICATION

ALL RIGHTS RESERVED.

© COPYRIGHT - By Tyco Electronics Corporation

THIS DRAWING IS UNPUBLISHED.

DIMENSIONS: mm TOLERANCES UNLESS OTHERWISE SPECIFIED: $\pm 0.2\text{mm}$ $\pm 1.5^\circ$ 0 PLC \pm 1 PLC $\pm -$ 2 PLC $\pm -$ 3 PLC $\pm -$ 4 PLC $\pm -$ ANGLES $\pm -$ 	DWN D.Bozzer 21JUL1992	MATERIAL —	FINISH —	
	CHK U.Münk 11JUL1994	 TE Connectivity		
APVD —	NAME $\varnothing 2.5\text{mm}$ SOCKET-CONTACT BUCHSEN-KONTAKT			
PRODUCT SPEC —	SIZE A4	CAGE CODE 00779	DRAWING NO C-962854	RESTRICTED TO —
APPLICATION SPEC —	WEIGHT		CUSTOMER DRAWING	SCALE NTS
			SHEET 1 OF 1	REV B2