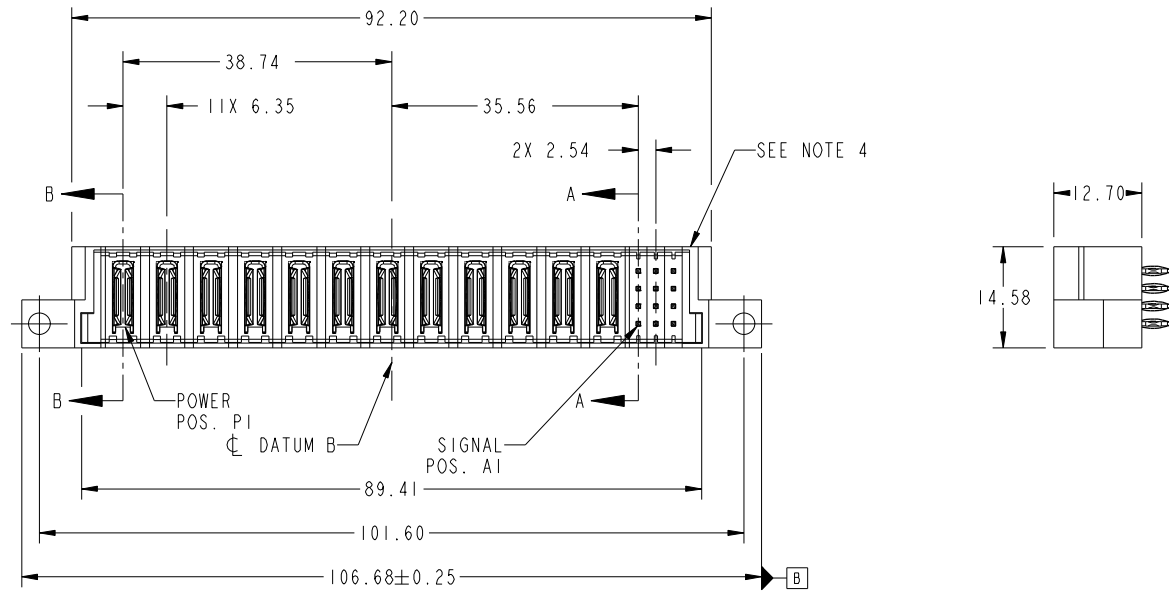


Tous droits strictement réservés. Reproduction ou communication a des tiers interdite sous quelque forme que ce soit sans autorisation écrite du propriétaire. Propriété de c FCI. Droits de reproduction FCI.



All rights strictly reserved. Reproduction or issue to third parties in any form whatever is not permitted without written authority from the proprietor. Property of FCI. Copyright FCI.

PRODUCT NO. 51963-050 NOTE ③	ROWS D C B A	POWER												SIGNAL			E2					
		E1	P1	P2	P3	P4	P5	P6	P7	P8	P9	P10	P11	P12	1	2		3				
			PC	PC	PC	PC	PC	PC	PC	PC	PC	PC	PC	PC	G	G	G	G	G	G	G	G



CODE	DIM "M" MATING LENGTH	CONTACT TYPE
PC	[N/A]	POWER
G	[6.86]	SIGNAL

mat'l code				tolerances unless otherwise specified				CUSTOMER		FCI	
litr	ecn no.	dr	date	linear	0.X ±0.5	COPY		www.fciconnect.com			
A	DG10-0030	WL	1/20/10	angles	0.XX ±0.25	projection	title 12P + 12S VERTICAL PRESS FIT HEADER				
					0.XXX ±0.1	MIM		product family PwrBlade		code 213	
				dr	0° ±2°	scale 1:1		size A		sheet 1 of 4	
				enr	WL ZHANG 1/20/10			dwg no 51963-050			
				chr	JEROME CHEN 1/20/10						
				appd	PM ZHENG 1/20/10						
					JOSEPH HSIA 1/20/10						
sheet index	revision sheet	A 1	A 2	A 3	A 4						

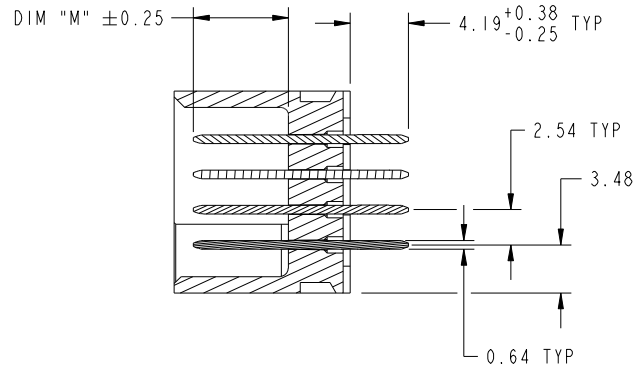
cage code 22526

Tous droits strictement reserves. Reproduction ou communication a des tiers interdite sous quelque forme que ce soit sans autorisation écrite du propriétaire. Propriete de c FCI. Droits de reproduction FCI.

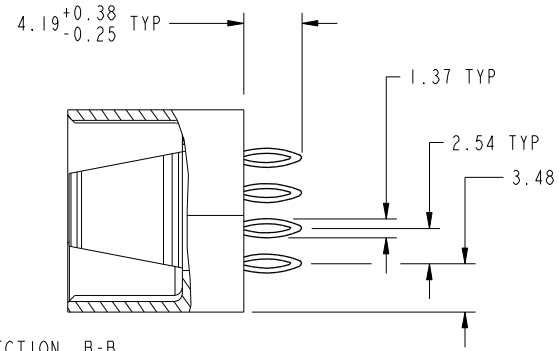
All rights strictly reserved. Reproduction or issue to third parties in any form whatever is not permitted without written authority from the proprietor. Property of FCI. Copyright FCI.



PRODUCT NUMBER
51963-050__
NOTE 3



SECTION A-A
SCALE 2:1



SECTION B-B
SCALE 2:1

mat'l code				tolerances unless otherwise specified		CUSTOMER		 www.fciconnect.com	
ltr	ecn no.	dr	date	linear	0.X ±0.5	COPY		title	
A					0.XX ±0.25	projection		12P + 12S VERTICAL PRESS FIT HEADER	
				angles	0.XXX ±0.1			product family	
				dr	0° ±2°			PwrBlade	
				enr	WL ZHANG 1/20/10	scale		code	
				chr	JEROME CHEN 1/20/10	1:1		213	
				appd	PM ZHENG 1/20/10	A		sheet	
					JOSEPH HSIA 1/20/10			2 of 4	
sheet index		revision sheet							

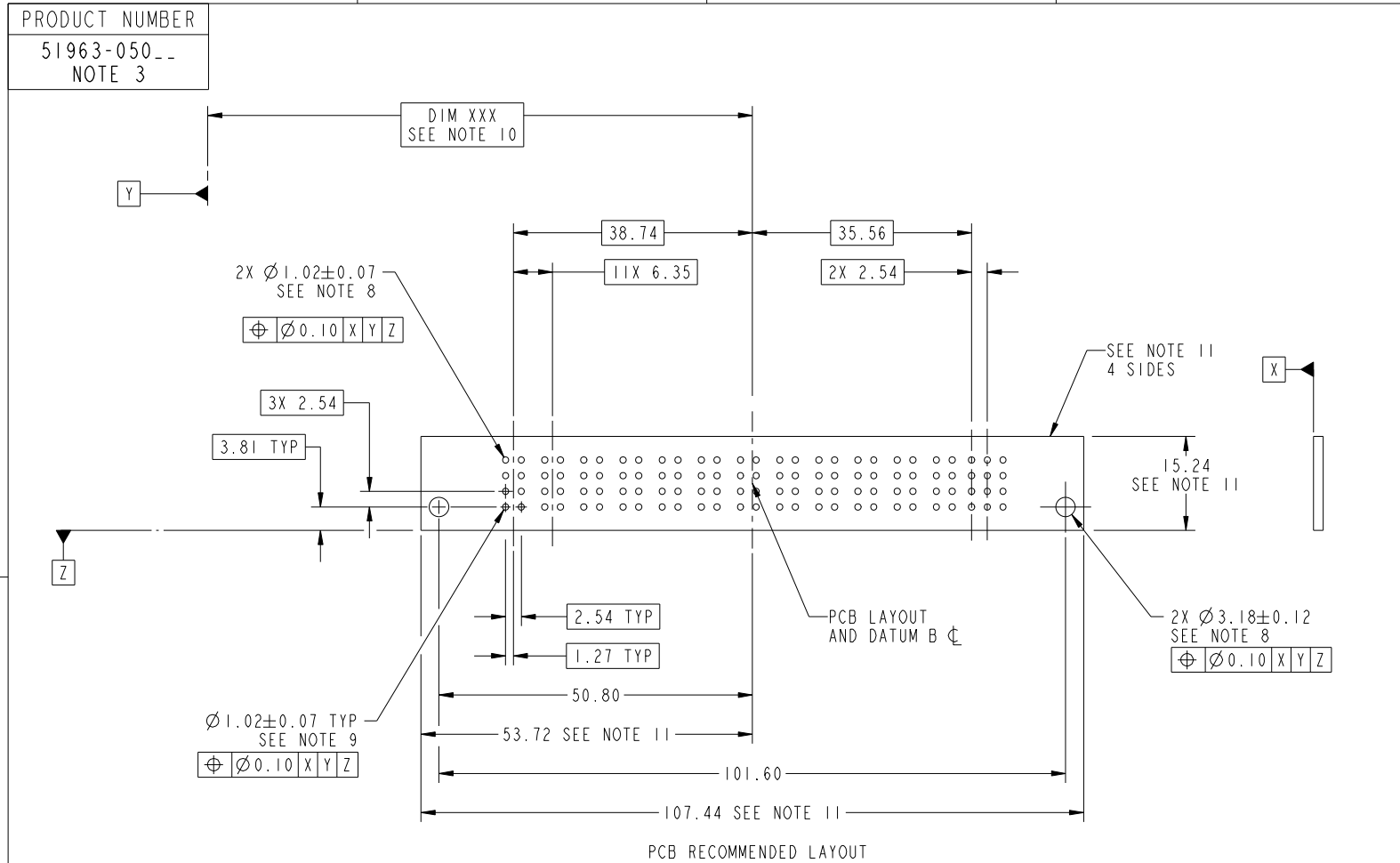
cage code 22526

Pro/E

Tous droits strictement reserves. Reproduction ou communication a des tiers interdite sous quelque forme que ce soit sans autorisation écrite du propriétaire. Propriete de c FCI. Droits de reproduction FCI.



All rights strictly reserved. Reproduction or issue to third parties in any form whatever is not permitted without written authority from the proprietor. Property of FCI. Copyright FCI.



mat'l code				tolerances unless otherwise specified		CUSTOMER			
ltr	ecn no.	dr	date	linear	0.X ± 0.5	COPY		www.fciconnect.com	
A					0.XX ± 0.25	projection		title	
				angles	0.XXX ± 0.1			12P + 12S VERTICAL PRESS FIT HEADER	
				dr	0° ± 2°	MIM		product family PwrBlade code	
				enrg	WL ZHANG 1/20/10	scale		size	
				chr	JEROME CHEN 1/20/10	1:1		dwg no	
				appd	PM ZHENG 1/20/10			51963-050	
					JOSEPH HSIA 1/20/10			sheet	
sheet index		revision sheet						3 of 4	

cage code 22526

Pro/E

Tous droits strictement reserves. Reproduction ou communication a des tiers interdite sous quelque forme que ce soit sans autorisation écrite du propriétaire. Propriete de c FCI. Droits de reproduction FCI.



All rights strictly reserved. Reproduction or issue to third parties in any form whatever is not permitted without written authority from the proprietor. Property of FCI. Copyright FCI.

PRODUCT NUMBER
51963-050--
NOTE 3

NOTES:

1. DIMENSIONS AND TOLERANCES ARE IN ACCORDANCE WITH ASME Y14.5M, 1994 UNLESS OTHERWISE SPECIFIED.

CONNECTOR NOTES:

- 2 HOUSING MATERIAL: UL 94 V-0 GLASS FILLED HIGH-TEMP THERMOPLASTIC
POWER CONTACT MATERIAL: COPPER ALLOY
SIGNAL PIN MATERIAL: COPPER ALLOY
- 3. PLATING:
SEE ITEM 3 & 4 IN PRINT 10064183 FOR PLATING SPEC OF 51963-050; 51963-050LF PRESPECTIVELY
- 4 MANUFACTURER'S NAME, DATE CODE AND OPTIONAL P/N TO APPEAR ON THIS SURFACE. THE P/N CAN BE OMITTED IF THERE IS NOT ENOUGH SPACE ON THIS SURFACE.
- 5. PRODUCT SPECIFICATION GS-12-149.
APPLICATION SPECIFICATION BUS-20-067.
- 6. PACKAGED IN TRAYS.

PCB NOTES:

- 7. ALL HOLE DIAMETERS ARE FINISHED HOLE SIZE.
- 8. MOUNTING HOLES, WHERE APPLICABLE, ARE UNPLATED.
- 9 $\varnothing 1.151 \pm 0.025$ DRILLED HOLES PLATED WITH
0.008 MIN SnPb OR Sn OVER .001 [0.03]
TO 0.08 Cu PLATING TO ACHIEVE
 $\varnothing 1.02 \pm 0.07$ HOLE.
- 10 "DIM XXX" TO BE DETERMINED BY THE CUSTOMER.
- 11 CONNECTOR KEEP-OUT ZONE.
- 12. FOR PRESS FIT APPLICATION USE FCI CAM TOOL 430169-XXX.

mat'l code				tolerances unless otherwise specified		CUSTOMER		FCI		www.fciconnect.com	
ltr	ecr no.	dr	date	linear	0.X ± 0.5		COPY		projection	title	
A					0.XX ± 0.25		MIM			12P + 12S	
					0.XXX ± 0.1		←			VERTICAL PRESS FIT HEADER	
				angles	0° ± 2°		MIM		product family		code
				dr	WL ZHANG	1/20/10	←		PwrBlade		213
				enr	JEROME CHEN	1/20/10	←		size		sheet
				chr	PM ZHENG	1/20/10	←		dwg no		4 of 4
				appd	JOSEPH HSIA	1/20/10	←		A		51963-050
sheet index		revision sheet				scale		1:1			

cage code 22526

Pro/E