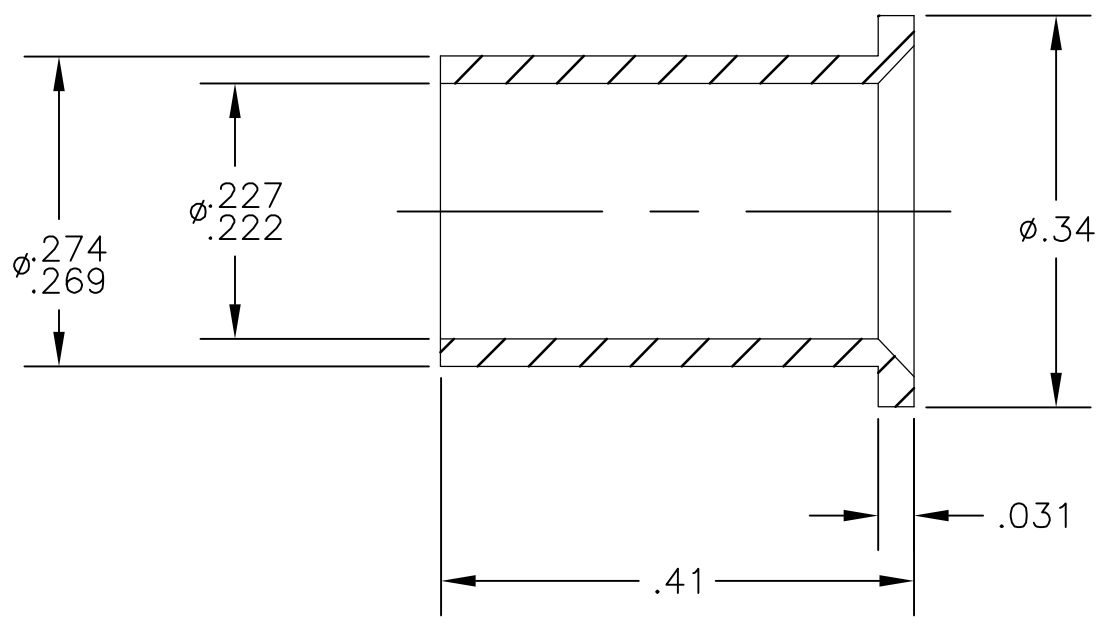


THIS DRAWING IS UNPUBLISHED. RELEASED FOR PUBLICATION
 © COPYRIGHT - BY TYCO ELECTRONICS CORPORATION. ALL RIGHTS RESERVED.

LOC	DIST	REVISIONS					
GP	00	P	LTR	DESCRIPTION	DATE	DWN	APVD
			A	RELEASED	28JUN06	RG	SF



4 FINISH: SILVER PLATE .000200 MIN THK. OVER NICKEL .000040 MIN THK.

3 MATERIAL: COPPER ALLOY

2. ITEMS PROVIDED TO THIS SPECIFICATION SHALL BE IDENTIFIED ON THE CONTAINER WITH THE FOLLOWING INFORMATION: PART NUMBER & DATE CODE OF MFR.

1. PART NUMBER CHANGES AND/OR DESIGN CHANGES AFFECTING ITEM INTERCHANGEABILITY REQUIRE PRIOR TYCO APPROVAL AND AUTHORIZATION BY REVISION TO THIS DRAWING.

AS SHOWN	1766813-1
DESCRIPTION	PART NUMBER

THIS DRAWING IS A CONTROLLED DOCUMENT.		DWN	R.GRZYBOWSKI	28JUN06	Tyco Electronics Corporation Harrisburg, PA 17105-3608		
DIMENSIONS: INCHES		CHK	S.FLICKINGER	28JUN06			
TOLERANCES UNLESS OTHERWISE SPECIFIED:		APVD	S.FLICKINGER	26JUN06	NAME		
0 PLC ± - 1 PLC ± - 2 PLC ± .02 3 PLC ± .010 4 PLC ± - ANGLES ± .5		PRODUCT SPEC		BUSHING, SIZE NO.4 REDUCER CRIMP TO SIZE NO.6 AWG			
MATERIAL		APPLICATION SPEC		SIZE			RESTRICTED TO
FINISH		WEIGHT		CAGE CODE		DRAWING NO	
3		-		A3 00779		C=1766813	
CUSTOMER DRAWING				SCALE		SHEET	REV
				6:1		1 OF 1	A