

NOTES:

1. MATERIALS OF CONSTRUCTION:

- N BODY - BRASS, WHITE BRONZE
- P-SMP BODY - BERYLLIUM COPPER, GOLD PLATING
- CONTACT PIN - BERYLLIUM COPPER, GOLD PLATING
- INSULATOR - PTFE, NATURAL

2. ELECTRICAL:

- A. IMPEDANCE: 50 OHM, NOMINAL
- B. FREQUENCY RANGE: DC - 10 GHz
- C. RETURN LOSS(VSWR): 35 dB MIN.@ DC-4 GHz
26 dB MIN.@ 4-10 GHz
- D. INSERTION LOSS: 0.05X $\sqrt{f(\text{GHz})}$ dB MAX.
- E. POWER HANDLING: 200W MAX.@ 2.2 GHz AT 20°C
- F. INTERMODULATION(3rd order): 160 dBc MIN..@ 2X43 dBm
- G. D.W.V: 1000 VRMS, MIN.

3. MECHANICAL:

- A. DURABILITY: N JACK SIDE : 500 CYCLES MIN.
P-SMP JACK SIDE: 100 CYCLES MIN WHEN MATED WITH FULL DETENT PLUG
100 CYCLES MIN WHEN MATED WITH LIMITED DETENT PLUG
1000 CYCLES MIN WHEN MATED WITH A SMOOTH BORE PLUG
- B. TEMPERATURE RANGE: -55°C TO +155°C

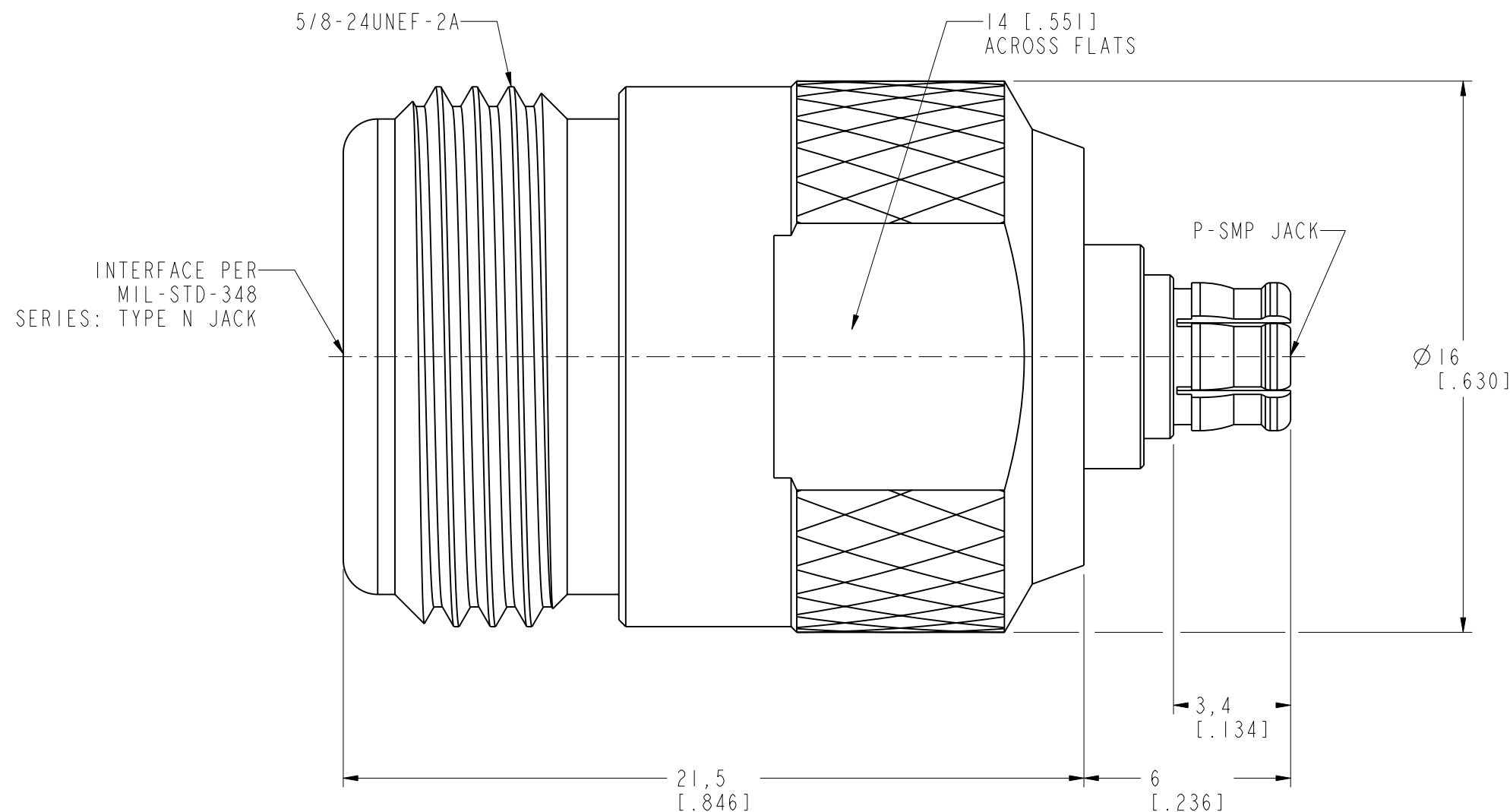
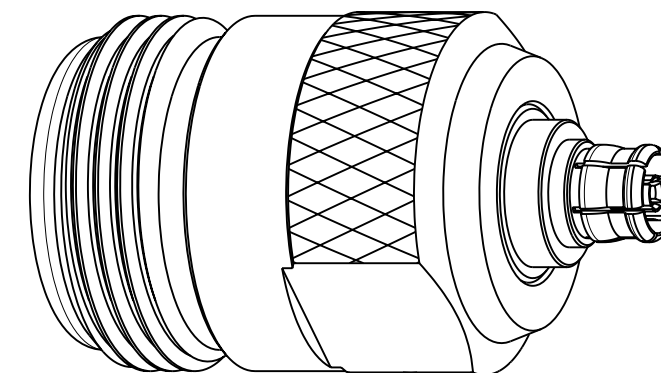
4. PACKAGING:

- A. QUANTITY: SINGLE PACK
- B. MARKING: BAG TO BE MARKED
"AMPHENOL RF, AD-NJ-PSMPJ-1, AND DATE CODE"

THIRD ANGLE PROJ.

REVISIONS

REV	DESCRIPTION	DATE	ECO	APPR
A	RELEASE TO MFG.	16-May-18	08102	BEW



CUSTOMER OUTLINE DRAWING
ALL OTHER SHEETS ARE FOR INTERNAL USE ONLY

<p>UNLESS OTHERWISE SPECIFIED, DIMENSIONS ARE IN METRIC AND TOLERANCES ARE:</p> <table border="1"> <tr> <td><0.5mm</td> <td>0.5 - 6mm</td> <td>6 - 30mm</td> <td>30 - 120mm</td> <td>ANGLES</td> </tr> <tr> <td>± 0.05mm</td> <td>±0.1mm</td> <td>±0.2mm</td> <td>± 0.3mm</td> <td>±1°</td> </tr> </table>	<0.5mm	0.5 - 6mm	6 - 30mm	30 - 120mm	ANGLES	± 0.05mm	±0.1mm	±0.2mm	± 0.3mm	±1°	<p>MATERIAL</p>	<p>DRAWN</p> <p>M. ZHANG</p>	<p>DATE</p> <p>16-May-18</p>	<p>TITLE</p> <p>P-SMP JACK TO 50Ω</p> <p>TYPE N JACK ADAPTER</p>	<p>Amphenol RF</p> <p>www.amphenolrf.com</p>
	<0.5mm	0.5 - 6mm	6 - 30mm	30 - 120mm	ANGLES										
± 0.05mm	±0.1mm	±0.2mm	± 0.3mm	±1°											
<p>NOTICE - These drawings, specifications, or other data (1) are, and remain the property of Amphenol corp. (2) must be returned upon request; and (3) are confidential and not to be disclosed to any person other than those to whom they are given by Amphenol Corp. the furnishing of these drawings, specifications, or other data by Amphenol Corp., or to any other person to anyone for any purpose is not to be regarded by implication or otherwise in any manner licensing, granting rights to permitting such holder or any other person to manufacture, use or sell any product, process or design, patented or otherwise, that may in any way be related to or disclosed by said drawings, specifications, or other data.</p>	<p>REFERENCE</p> <p>AND ---</p>	<p>ENGINEER</p> <p>M. ZHANG</p>	<p>DATE</p> <p>28-Jan-16</p>	<p>SCALE: 6.0:1.0</p>	<p>SHEET 2 OF 2</p>										
	<p>CONFIGURATION LEVEL: In Work</p>	<p>APPROVED</p> <p>S. HSIEH</p>	<p>DATE</p> <p>16-May-18</p>	<p>DWG SIZE</p> <p>B</p>	<p>REV</p> <p>A</p>	<p>DRAWING NO. AD-NJ-PSMPJ-1</p>									
	<p>FINISH</p>	<p>CAD FILE</p>	<p>PART NO. AD-NJ-PSMPJ-1</p>												