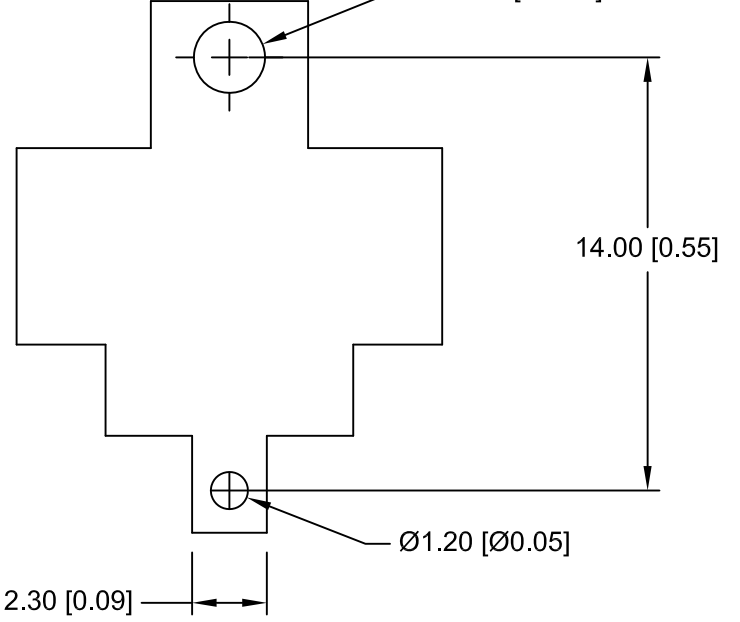
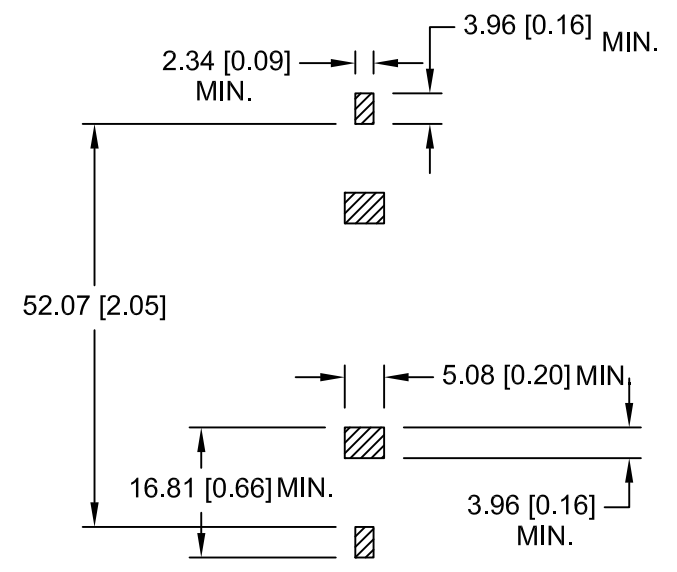
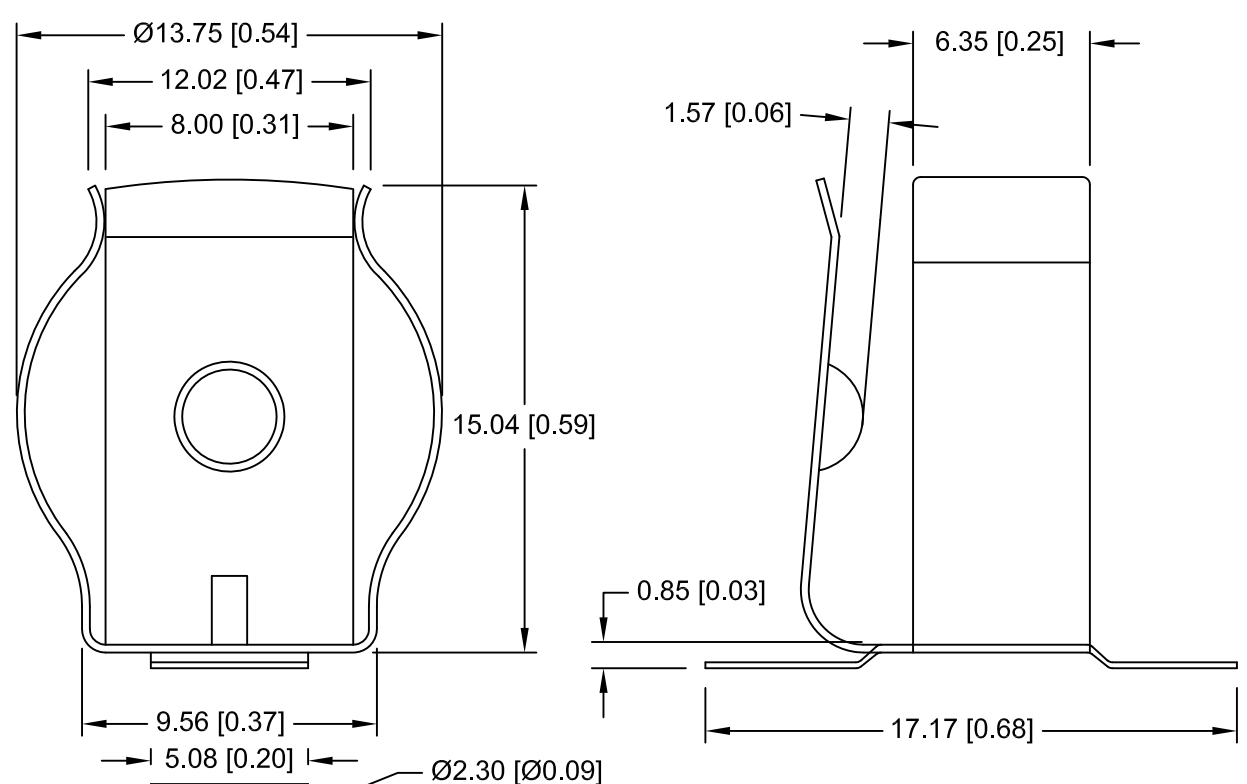



Date	SYM	REVISION RECORD	AUTH	DR.	CK.
01/20/12	A	UPDATED PCB LAYOUT	T.B.	B.S.	
11/21/14	B	UPDATED TO ROHS 2 COMPLIANT	T.B.	B.S.	



NOTES:

- MATERIAL:
0.012" SPRING STEEL, NICKEL PLATED
ROHS 2 COMPLIANT

PCB LAYOUT

Tolerance (Except as noted)	 Memory Protection Devices, Inc 200 Broad Hollow Road, Farmingdale, New York 11735	Scale	Drawn By B.S.
			Approved By T.B.
decimal $\pm .5$ (.020)	Title SURFACE MOUNT CLIP FOR AA BATTERIES	Date 11/21/14	
Fractional $\pm .8$ (.030)		Drawing Number BK-53	
Angular $\pm 3^\circ$			