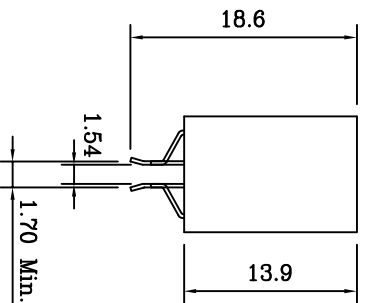
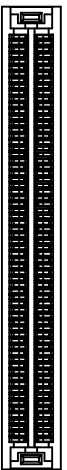
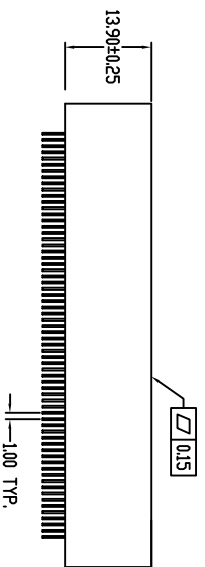
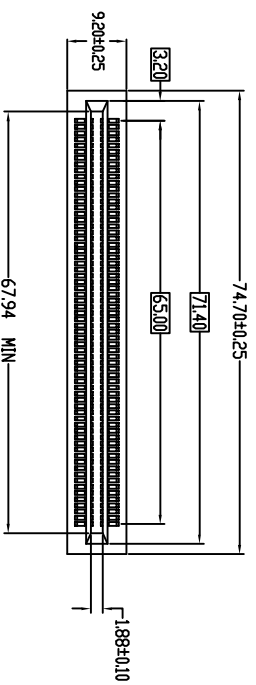


MATERIALS

- * Body : P.C.T. (ul-94V-0)
- * Contact : phosphor Bronze
- * Contact plating : Gold flash in contact area
Tin / Lead on tails



B		BC	Revised body angle	DESCRIPTION
REV.	6-19-03	CHK		
DATE				
San Marcos, CA		Fax: 760 744-6081		
Tel: 760 744-0125		www.SullinsElectronics.com		
DRAWN		DESCRIPTION		
AGP		Imm Edge Card		
PART NUMBER		IPWE066DKRN-TAGP		
APP.		SIZE		
SCALE		SHEET		
NTS		1 of 1		REV. B

SULLINS ELECTRONICS CORP.