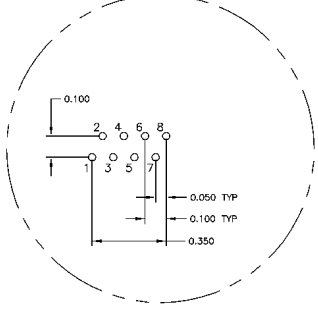
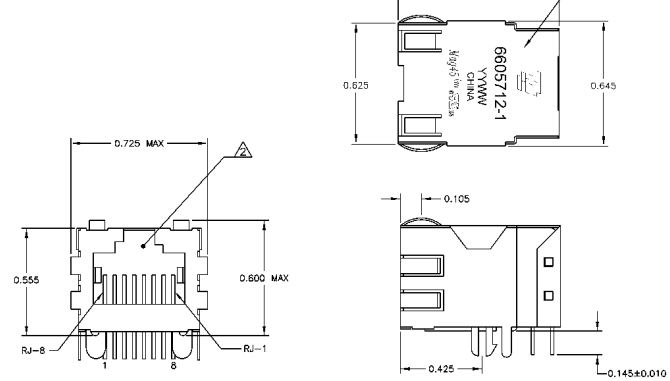


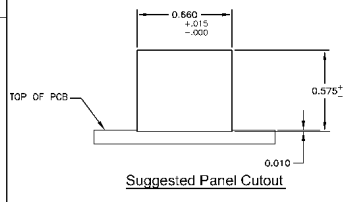
**MECHANICAL:**



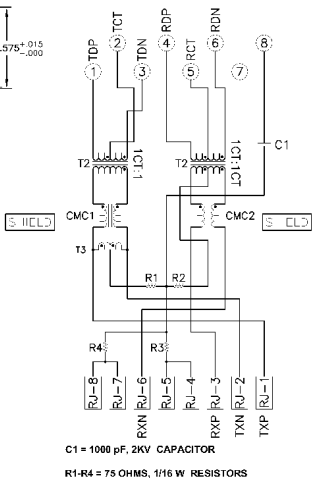
**Pin Designations**

- △ MATERIALS:
  - POLYIMIDE FILM (PI) SUBSTRATE
  - COPPER (Cu) PADS
  - NICKEL (Ni) UNDERCOAT
  - EPOXY RESIN
  - SOLDER (Sn/Pb)
- △ DIMENSIONAL TOLERANCES:
  - UNLESS OTHERWISE SPECIFIED, DIMENSIONS ARE IN MILLIMETERS
  - DIMENSIONS IN PARENTHESES ARE TYPICAL
- △ ELECTRICAL CHARACTERISTICS:
  - OPERATING TEMPERATURE RANGE: -40°C TO 85°C
  - STORAGE TEMPERATURE RANGE: -55°C TO 125°C
  - HUMIDITY: 90% RH, 25°C
  - VIBRATION: 10g, 10-2000 Hz
  - SHOCK: 100g, 0.5ms
- △ TESTING:
  - ELECTRICAL TESTS: PERFORMED AT 25°C
  - MECHANICAL TESTS: PERFORMED AT 25°C
- △ NOTES:
  - 1. DIMENSIONS ARE TO CENTER UNLESS OTHERWISE SPECIFIED
  - 2. DIMENSIONS ARE TO CENTER UNLESS OTHERWISE SPECIFIED
  - 3. DIMENSIONS ARE TO CENTER UNLESS OTHERWISE SPECIFIED
  - 4. DIMENSIONS ARE TO CENTER UNLESS OTHERWISE SPECIFIED
  - 5. DIMENSIONS ARE TO CENTER UNLESS OTHERWISE SPECIFIED
  - 6. DIMENSIONS ARE TO CENTER UNLESS OTHERWISE SPECIFIED
  - 7. DIMENSIONS ARE TO CENTER UNLESS OTHERWISE SPECIFIED
  - 8. DIMENSIONS ARE TO CENTER UNLESS OTHERWISE SPECIFIED

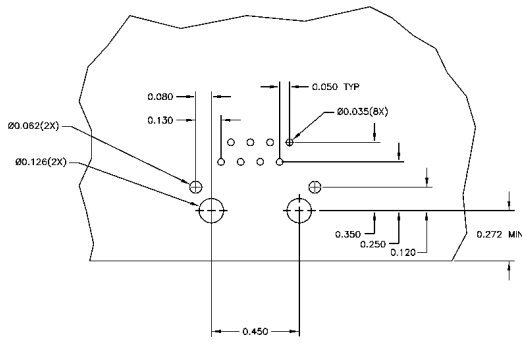
**714P1 SERIES MAGNETIC CIRCUIT**



**Suggested Panel Cutout**



C1 = 1000 pF, 2KV CAPACITOR  
R1-R4 = 75 OHMS, 1/16 W RESISTORS



**Suggested PCB Layout**

THIS DRAWING IS A CONTROLLED DOCUMENT.		REV	DATE	BY	CHKD	DESCRIPTION
REV	DATE	BY	CHKD	DESCRIPTION		
AA	22					
B						

6605712-1	PART NUMBER
Type Electronics Corporation Chengde, Ohio	
1X1 MAGNETIC 714P1 SCHEMATIC	
714 SERIES CIRCUIT, WITH DECOUPLING CAPACITOR	
NO LEADS	
REV 001	
AA	09/77
AA	09/77
AA	09/77
AA	09/77