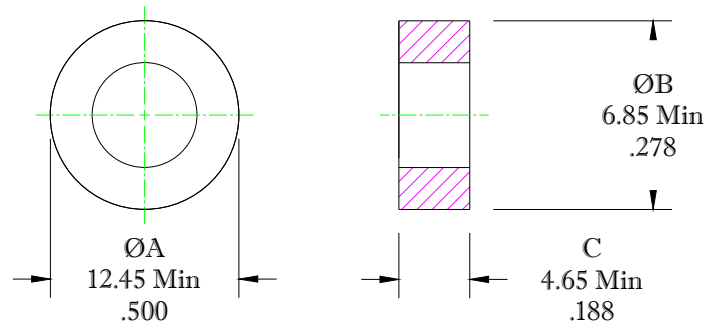


\*\* Not all features are shown in this drawing. For more detailed information, please contact your Fair-Rite representative.

UNCONTROLLED ~CATALOG~ DRAWING

SIZE	PART NO.	REV.
B	5980000301	~



DIMENSIONS  
**BOLD DIMENSIONS ARE IN MILLIMETERS**  
 LIGHT DIMENSIONS ARE IN INCHES.

ELECTRICAL SPECIFICATIONS						
$\sum l/A(\text{mm}^{-2})$	$l_e$ (mm)	$A_e$ (mm) <sup>2</sup>	$V_e$ (mm) <sup>3</sup>	$L_o$ (nH)	$A_L$ (nH) @10 kHz <10gauss	$\tan \delta/\mu$ i @100 kHz 1gauss
2.214	29.2	13.2	385	0.5679	340±25%	≤20X10E-6

NOTES:

1 - BURNISH TO BREAK SHARP EDGES.

FR# 80

FAIR-RITE PRODUCTS CORP.						
TITLE TOROID						
DRAWN BY A. BARTLETT	DATE 07-20-22	SIZE B	PART NO. 5980000301	REV. ~		
CHKD BY		APPRVD BY	SCALE NONE	SHEET 1 of 1		