

## Features

- Capability of Single-wire Operation
- Hardware Fault Recognition
- Inputs with High Common-mode and Differential-mode Interference Rejection Above 100 V<sub>pp</sub> due to External Filters at the Receiver Input
- Immunity Against Electromagnetic Interference
- Immunity Against Ground-voltage Offsets < 6V
- Ruggedized Against ESD by MIL-STD-883C, Method 3015

## Benefits

Systems which employ this device have the following benefits compared to solutions using discrete components:

- High Reliability

## Applications

- Especially Suited for Truck and Van Applications
- Interface Between Truck and Trailer
- Interface Between Dashboard and Engine

## 1. Description

The CAN driver IC B10011S is a low-speed, high-level interface for 24V (27V) operation with transmission levels according to ISO WD 11992-1 (point-to-point interface between trucks and trailers). It is developed for signal levels of 8V/16V and a speed of up to 250 kbits/s.

This device allows transmission, that is insensitive to electromagnetic interference. Such interferences may especially occur in truck applications where (due to the length of the wires) high common-mode voltages (e.g., 50) can be coupled into the lines.

This device contains a fault recognition circuit that detects faults on one of the two wires, which are normally used for transmission. If a fault occurs the operation can be switched from double-wire to single-wire mode thus, allowing proper operation even if one wire is broken, has a short-cut or a high series resistance.

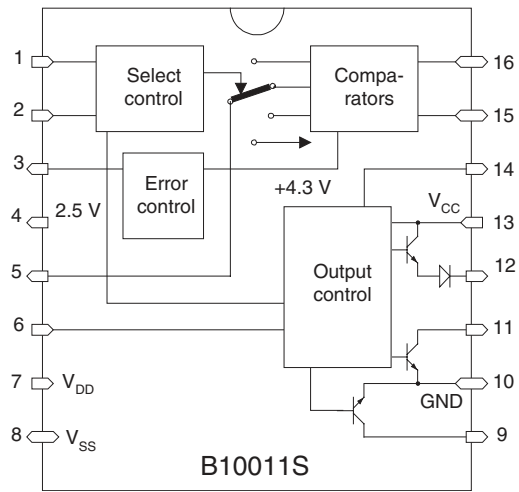


## Can Transceiver IC

## B10011S



Figure 1-1. Block Diagram



## 2. Pin Configuration

Figure 2-1. Pinning SO16

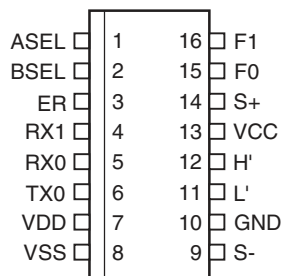


Table 2-1. Pin Description  
16-lead SOIC (SO16), Small Outline Gull - Wing

Pin	Symbol	Function
1	ASEL	Select control input
2	BSEL	Select control input
3	ER	Error signal output
4	RX1	Reference voltage 2.5V
5	RX0	Receiver output
6	TX0	Transmitter input
7	VDD	Controller supply voltage 5V
8	VSS	Controller supply voltage 0V
9	S-	Collector of internal NPN switch
10	GND	Vehicle ground 0V
11	L'	Data out driver
12	H'	Data out driver
13	VCC	Vehicle power supply 24V
14	S+	Control output for external PNP
15	F0	Receiver input
16	F1	Receiver input

### 3. Absolute Maximum Ratings

Stresses beyond those listed under “Absolute Maximum Ratings” may cause permanent damage to the device. This is a stress rating only and functional operation of the device at these or any other conditions beyond those indicated in the operational sections of this specification is not implied. Exposure to absolute maximum rating conditions for extended periods may affect device reliability.

Parameters	Symbol	Value	Unit
Supply voltage	$V_{CC}$	-0.5 to +36	V
Controller supply voltage	$V_{DD}$	-0.5 to +5.5	V
Input voltage at any input	$V_{in}$	-0.5 to $V_{DD}$	V
Junction temperature	$T_j$	150	°C
Storage temperature range	$T_{stg}$	-55 to +150	°C
Soldering temperature (for 10s maximum)	$T_{sld}$	260	°C

#### Operating Conditions

Parameters	Symbol	Value	Unit
Supply voltage car battery	$V_{CC}$	7 to 32	V
Controller supply voltage	$V_{DD}$	4.75 to 5.25	V
Control input voltage	$A_{sel}, B_{sel}$	0 to $V_{DD}$	V
Input voltage	$T_{x0}$	0 to $V_{DD}$	V
Operating temperature	$T_{amb}$	-40 to +105	°C

### 4. Operating Modes

0 = 0V, 1 = 5V

$A_{sel}$	$B_{sel}$	$R_{x0}$	Mode
0	0	3.8V	H, L drivers disabled, L load disabled, S-, S+ disabled station not in operation, but consuming current
1	0	From H	Single-wire H, L driver, L load, S-, S+ disabled
0	1	From L	Single-wire L, H driver disabled
1	1	From L-H	Two-wire operation, normal mode

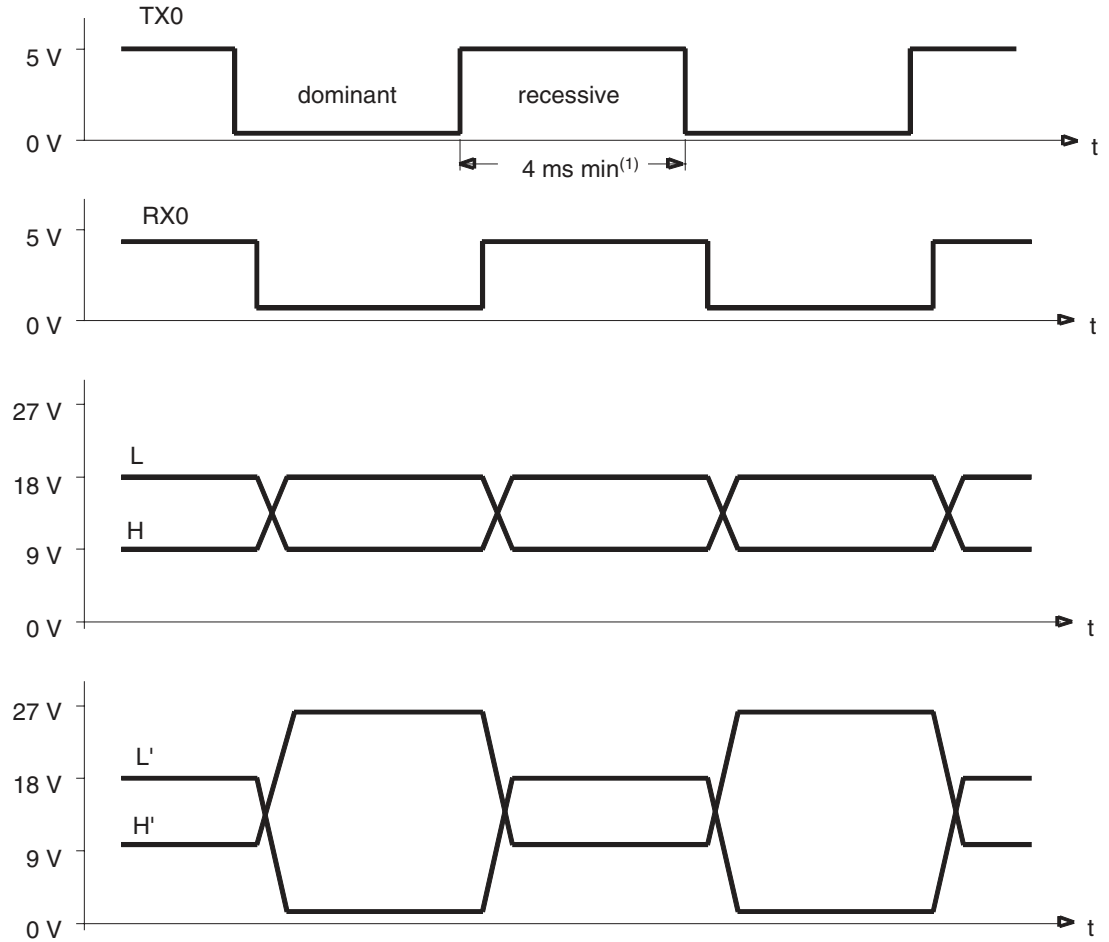
ER (error signal) is low when normal operation is disturbed by line faults (interruption, short to ground or to  $V_{CC}$ , H to L short disturbance by high voltage transients). After a waiting period due to transient delays, the controller is asked to test if single-wire operation is possible by changing the  $A_{sel}$  and  $B_{sel}$  state.

$A_{sel}$  and  $B_{sel}$  have an internal pull-up resistor. Therefore, the no-connect state is 1, but connection to  $V_{DD}$  is recommended when not in use.

## 5. Pulse Diagram

The pulse diagram for two connected, identical stations is shown below. The resistor levels have to be kept constant when additional stations are connected.

**Figure 5-1.** Pulse Diagram



<sup>(1)</sup> Filter has to be changed if short distances are to be allowed

## 6. Electrical Characteristics

Test condition: Test circuit (see Figure 6-1 on page 7), 0 = 0V, 1 = 5V

$V_{CC} = 27V$ ,  $V_{DD} = 5V$ ,  $V_{SS} = 0V$ ,  $T_{amb} = -40^{\circ}C$  to  $+105^{\circ}C$ , unless otherwise specified.

Parameters	Test Conditions	Symbol	Min.	Typ.	Max.	Unit
Supply current	$T_{x0} = 0, A_{sel} = 1, B_{sel} = 1$	$I_{CC}$			15	mA
	$T_{x0} = 0, A_{sel} = 0, B_{sel} = 0$	$I_{DD}$			22	mA
	$T_{x0} = 1, A_{sel} = 1, B_{sel} = 1$	$I_{CC}$			26	mA
	$T_{x0} = 1, A_{sel} = 1, B_{sel} = 1$	$I_{DD}$			16	mA
Input current	$T_{x0} = 1, A_{sel} = 1, B_{sel} = 1$	$I(T_{x0})$			650	$\mu A$
	$T_{x0} = 1, A_{sel} = 1, B_{sel} = 1$	$I(A_{sel}, B_{sel})$			150	$\mu A$
Output voltage	$T_{x0} = 0, A_{sel} = 1, B_{sel} = 0$ $V_{IL}(F_0) = 1.9V, V_{IH}(F_1) = 2.7V$	$R_{x0}$			1.0	V
	$T_{x0} = 1, A_{sel} = 1, B_{sel} = 1$ $V_{IL}(F_1) = 1.9V, V_{IH}(F_0) = 2.7V$	$R_{x0}$	3.8			V
	$T_{x0} = 0, A_{sel} = 1, B_{sel} = 1$	$U(H')$	24.5			V
	$T_{x0} = 1, A_{sel} = 1, B_{sel} = 1$	$U(H')$			1.0	V
	$T_{x0} = 1, A_{sel} = 1, B_{sel} = 1$	$U(L')$	26			V
	$T_{x0} = 0, A_{sel} = 1, B_{sel} = 1$	$U(L')$			1.0	V
	No fault	ER	4.7			V
	Fault on line	ER				100

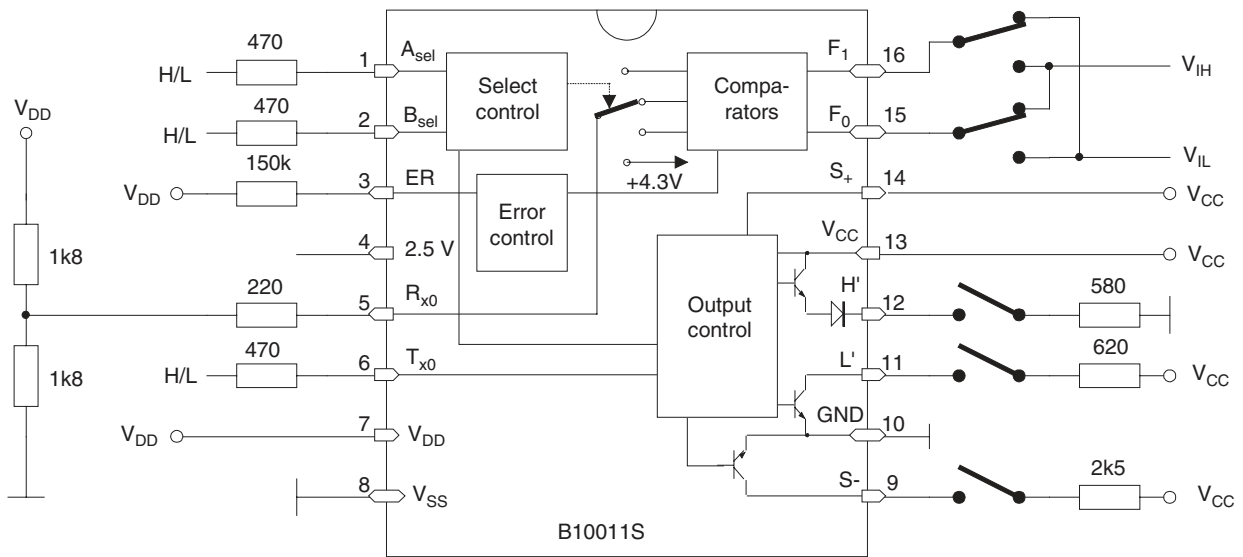
$V_{CC} = 7V$ ,  $V_{DD} = 4.75V$ ,  $V_{SS} = 0V$ ,  $T_{amb} = 25^{\circ}C$ , unless otherwise specified.

Parameters	Test Conditions	Symbol	Min.	Typ.	Max.	Unit
Output voltage	$T_{x0} = 0, A_{sel} = 1, B_{sel} = 1$	$U(H')$	4.5			V
	$T_{x0} = 1, A_{sel} = 1, B_{sel} = 1$	$U(H')$			100	mV
	$T_{x0} = 1, A_{sel} = 1, B_{sel} = 0$	$U(L)$	6.5			V
	$T_{x0} = 0, A_{sel} = 1, B_{sel} = 1$	$U(L)$			1.0	V
	$T_{x0} = 1, A_{sel} = 1, B_{sel} = 0$ $V_{IL}(F_1) = 1.0V, V_{IH}(F_0) = 1.15V$	$R_{x0}$	3.3			V
	$T_{x0} = 0, A_{sel} = 1, B_{sel} = 0$ $V_{IL}(F_0) = 1.0V, V_{IH}(F_1) = 1.15V$	$R_{x0}$			1.0	V

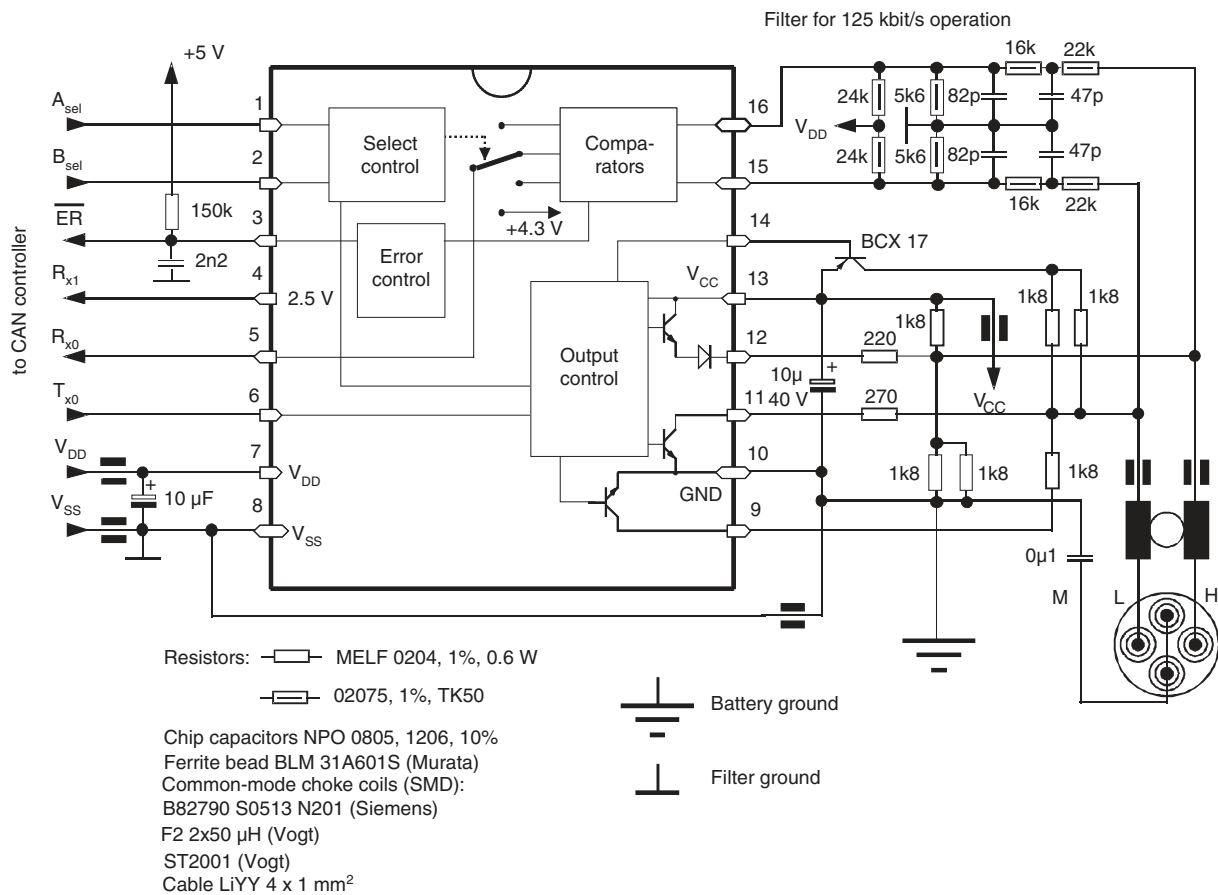
$V_{CC} = 32V$ ,  $V_{DD} = 5.25V$ ,  $V_{SS} = 0V$ ,  $T_{amb} = 25^{\circ}C$ , unless otherwise specified.

Parameters	Test Conditions	Symbol	Min.	Typ.	Max.	Unit
Output voltage	$T_{x0} = 0, A_{sel} = 1, B_{sel} = 1$	$U(H')$	29			V
	$T_{x0} = 1, A_{sel} = 1, B_{sel} = 1$	$U(H')$			500	mV
	$T_{x0} = 1, A_{sel} = 1, B_{sel} = 0$	$U(L)$	31.5			V
	$T_{x0} = 0, A_{sel} = 1, B_{sel} = 1$	$U(L)$			1.0	V
	$T_{x0} = 1, A_{sel} = 1, B_{sel} = 0$ $V_{IL}(F_1) = 1.6V, V_{IH}(F_0) = 2.7V$	$R_{x0}$	4.0			V
	$T_{x0} = 0, A_{sel} = 1, B_{sel} = 0$ $V_{IL}(F_0) = 1.6V, V_{IH}(F_1) = 2.7V$	$R_{x0}$			1.0	V

**Figure 6-1. Test Circuit**

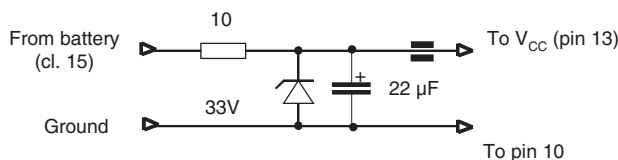


**Figure 6-2. Application Circuit**



The implementation of a power filter and overvoltage clamp as follows is highly recommended:

**Figure 6-3.** Implementation of a Power Filter and Over Clamps



## 7. Application Hints

As an interface between CAN controllers and a two-wire data bus system for serial data interchange, this device is adapted to a special high-level, low-speed transmission system, which is useful in harsh environments. High immunity against ground offset and interference voltages on the bus have been the design goals for this device, rather than low power consumption or a minimum of external components. An error detection scheme is implemented in the receiver part to give quick information to the controller in case of faults occurring on the bus. Thus, the controller is able to start a search cycle in order to look for the possibility of single-wire operation or to disable the station from the bus.

An automatic error-signal end is not feasible because parts of the system are disabled during single-wire operation. Therefore, the controller has to carry out short tests by switching to the two-wire state and checking, whether the error signal is still present or not. Errors due to dirty contacts, shorts between high and low line, or interruptions may not be recognized at all, because this device does not contain a complete fault computer.

Two control inputs  $A_{sel}$  and  $B_{sel}$  enable four operation modes (see Table “Operating Modes” on page 4). Depending on the nature of the error, the error signal ER is internally generated partly in the recessive or partly in the dominant transmission state. In order to avoid watching the error bits bitwise, an open-collector output driver (with a 1-k $\Omega$  series resistor) discharges a storage capacitor, which is charged by a time constant, long enough to hold the 0 state for, e.g., 200  $\mu$ s, thus, giving the controller enough time to recognize this status during idle times. Only the charging resistor may be changed and not the 2.2-nF capacitor. In order to perform a faster error-end test, the charging resistor may be shorted by an NPN emitter follower or by a tristate output high for approximately 1 to 2  $\mu$ s.

The pinout of the device shows a controller side (pins 1 to 8) and a bus side (pins 9 to 16). The application circuit utilizes an input filter section which is necessary for every station and a bias section which is needed in two master stations only. Additional slave stations only contain the driving resistors at pins 11 and 12 (270 $\Omega$  and 220 $\Omega$ ), the choke coil, and capacitor between pins 13 and 10.

A power filter and overvoltage clamp is highly recommended in order to avoid transmission errors due to spikes on the 24-V battery voltage.

The input filter is designed as an 2-RC filter for 125 kbit/s and may be changed to 250 kbit/s. Its good pulse response and good suppression of high frequencies should not be weakened by omitting one of the capacitors.



All the logical and sensing functions in the device are powered by  $V_{DD} = 5V$ . Therefore, the filter section also acts as a level shifter to the input comparator range (approximately 1 to 3.3V). The diagram (see [Figure 7-1](#)) shows how the battery voltage,  $V_{CC}$ , influences the comparator input voltages,  $F_0$  and  $F_1$ , in relation to the internal reference voltage,  $V_{ref}$ , in the recessive state. The lower  $V_{CC}$ , the lower the bus level. Taking this into account the comparator input levels are  $F_1 - V_{ref}$  for single-wire H respectively  $F_1 - F_0$  for two-wire operation. The comparator's offset voltage is  $\leq 10$  mV. Matching the filter biasing to the internal reference is essentially for safe operation even at low battery voltages during motor start.

The level investigations and tests described in the following description have been carried out within the temperature range of  $-40^{\circ}C$  to  $+105^{\circ}C$  with two B10011S on a bus line, one of them always in the recessive state (see [Figure 7-2 on page 10](#)).

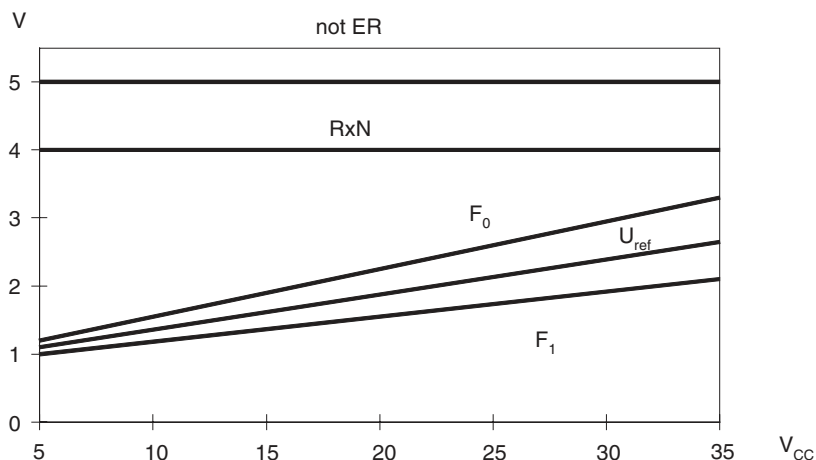
In case of line shorts to  $V_{CC}$  or to ground or in case of H to L shorts, all participants on the bus are intended to switch to single-wire operation and to disable their drivers not in use.

The dynamic behavior of the circuit depends on the line capacitances to ground. Approximately 200 pF/m and a maximum of 6 nF have to be taken into account. The transition from the dominant to the recessive state enables the bias network to recharge the line through a driving resistor of approximately  $300\Omega$ . The transition from the recessive to the dominant state is approximately twice as fast. This is probably the source of emitted radiation having no capacitance on the line. The choke coil enables the suppression of this radiation in the frequency range above 5 MHz to 7 MHz. Care should be taken not to feed noise from  $V_{DD}$  or  $V_{CC}$  to the line. Therefore, they should be properly blocked by low-inductance capacitors.

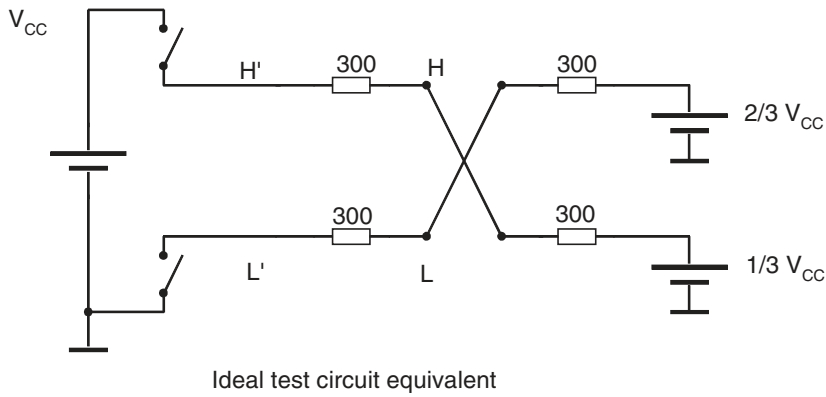
Data loss by externally induced interference is avoided by careful PCB layout and EMC design for this circuit as well as by providing appropriate overvoltage protection. It is very essential to separate battery ground and filter ground as indicated in the application circuit (see [Figure 6-2 on page 7](#)). Especially important is that the filter ground must be connected to pin 8 by a short connection not subject to disturbing currents from external sources. The ground wire of the "starquad" cable may introduce such currents and should be connected to battery ground via a  $0.1\text{-}\mu F$  capacitor in a way as short as possible, perhaps to the metal housing.

In order to avoid thermal problems, the voltage divider and driving resistors should be kept away from the IC. Otherwise they would heat up the environment of the small IC and might reduce its life expectancy.

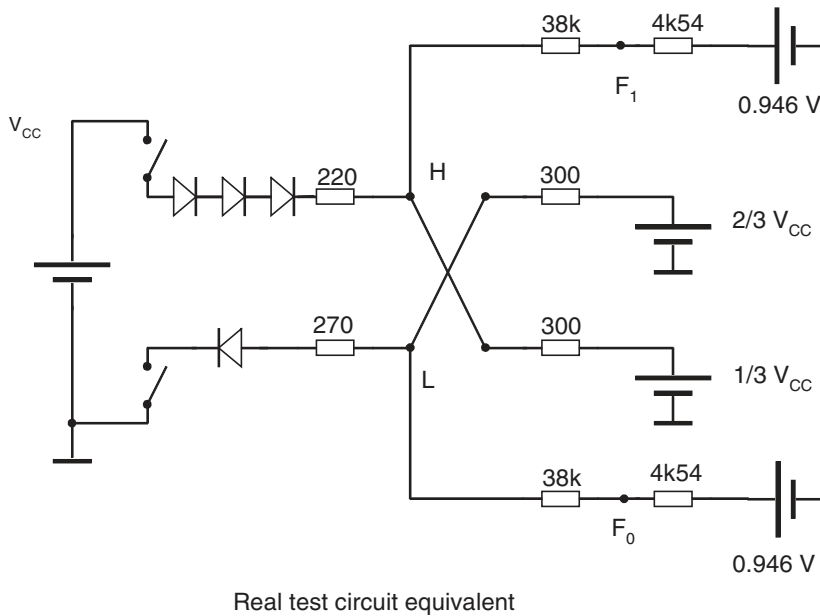
**Figure 7-1.** Comparator Thresholds



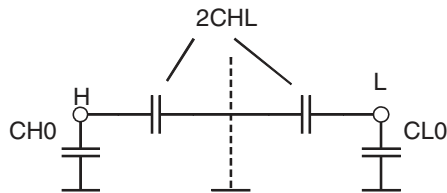
**Figure 7-2. Test Circuit Equivalents**



Switches are closed in the dominant state



Switches are closed in the dominant state

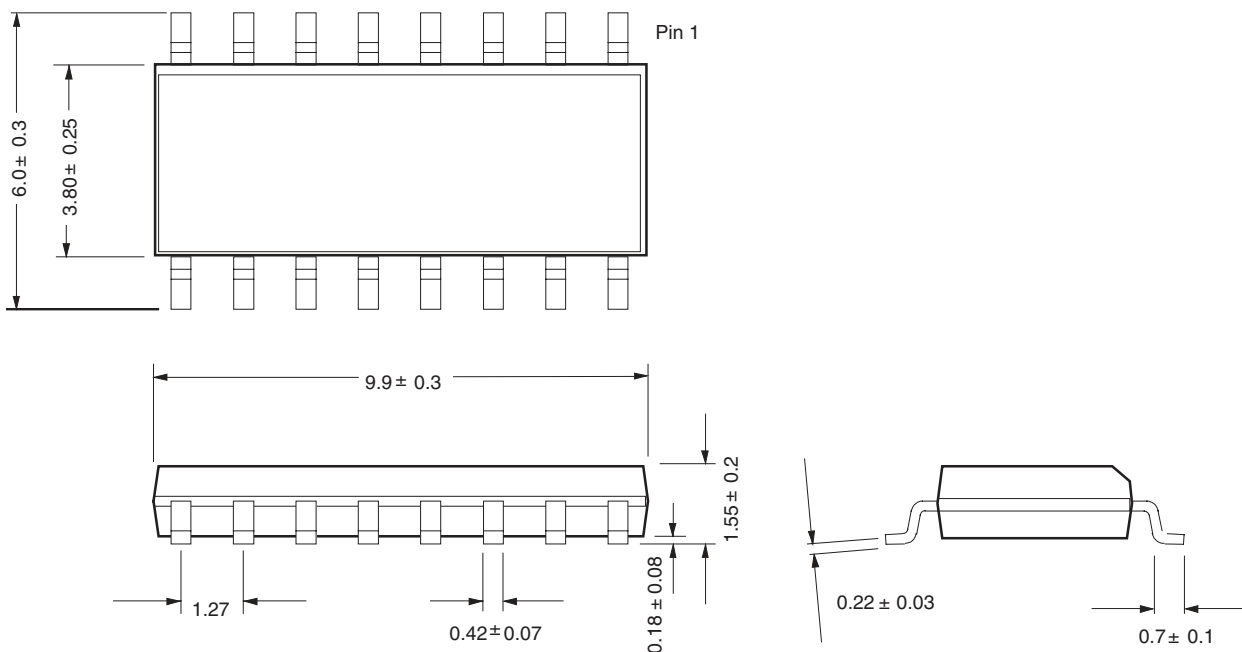


Capacitance H:  $CH_{\text{gnd}} = CH0 + 2 \text{ CHL} \leq 200 \text{ pF/m}$   
 Capacitance L:  $CL_{\text{gnd}} = CL0 + 2 \text{ CHL} \leq 200 \text{ pF/m}$

## 8. Ordering Information

Extended Type Number	Package	Remarks
B10011S-MFPG1Y	SO16	Pb-free, 1k, taped and reeled
B10011S-MFPG3Y	SO16	Pb-free, 4k, taped and reeled

## 9. Package Information



## 10. Revision History

Please note that the following page numbers referred to in this section refer to the specific revision mentioned, not to this document.

Revision No.	History
4749D-AUTO-10/07	<ul style="list-style-type: none"> <li>Put datasheet in a new template</li> <li>Pb-free logo on page 1 deleted</li> <li>Table "Ordering Information" on page 11 changed</li> </ul>
4749C-AUTO-09/05	<ul style="list-style-type: none"> <li>Put datasheet in a new template</li> <li>Pb-free logo on page 1 added</li> <li>Table "Ordering Information" on page 11 changed</li> </ul>
4749B-AUTO-09/04	<ul style="list-style-type: none"> <li>Figure 2 "Pinning SO16" on page 2 changed</li> </ul>



## Headquarters

---

**Atmel Corporation**  
2325 Orchard Parkway  
San Jose, CA 95131  
USA  
Tel: 1(408) 441-0311  
Fax: 1(408) 487-2600

## International

---

**Atmel Asia**  
Room 1219  
Chinachem Golden Plaza  
77 Mody Road Tsimshatsui  
East Kowloon  
Hong Kong  
Tel: (852) 2721-9778  
Fax: (852) 2722-1369

**Atmel Europe**  
Le Krebs  
8, Rue Jean-Pierre Timbaud  
BP 309  
78054  
Saint-Quentin-en-Yvelines Cedex  
France  
Tel: (33) 1-30-60-70-00  
Fax: (33) 1-30-60-71-11

**Atmel Japan**  
9F, Tonetsu Shinkawa Bldg.  
1-24-8 Shinkawa  
Chuo-ku, Tokyo 104-0033  
Japan  
Tel: (81) 3-3523-3551  
Fax: (81) 3-3523-7581

## Product Contact

---

**Web Site**  
[www.atmel.com](http://www.atmel.com)

**Technical Support**  
[auto\\_control@atmel.com](mailto:auto_control@atmel.com)

**Sales Contact**  
[www.atmel.com/contacts](http://www.atmel.com/contacts)

**Literature Requests**  
[www.atmel.com/literature](http://www.atmel.com/literature)

---

**Disclaimer:** The information in this document is provided in connection with Atmel products. No license, express or implied, by estoppel or otherwise, to any intellectual property right is granted by this document or in connection with the sale of Atmel products. **EXCEPT AS SET FORTH IN ATMEL'S TERMS AND CONDITIONS OF SALE LOCATED ON ATMEL'S WEB SITE, ATMEL ASSUMES NO LIABILITY WHATSOEVER AND DISCLAIMS ANY EXPRESS, IMPLIED OR STATUTORY WARRANTY RELATING TO ITS PRODUCTS INCLUDING, BUT NOT LIMITED TO, THE IMPLIED WARRANTY OF MERCHANTABILITY, FITNESS FOR A PARTICULAR PURPOSE, OR NON-INFRINGEMENT. IN NO EVENT SHALL ATMEL BE LIABLE FOR ANY DIRECT, INDIRECT, CONSEQUENTIAL, PUNITIVE, SPECIAL OR INCIDENTAL DAMAGES (INCLUDING, WITHOUT LIMITATION, DAMAGES FOR LOSS OF PROFITS, BUSINESS INTERRUPTION, OR LOSS OF INFORMATION) ARISING OUT OF THE USE OR INABILITY TO USE THIS DOCUMENT, EVEN IF ATMEL HAS BEEN ADVISED OF THE POSSIBILITY OF SUCH DAMAGES.** Atmel makes no representations or warranties with respect to the accuracy or completeness of the contents of this document and reserves the right to make changes to specifications and product descriptions at any time without notice. Atmel does not make any commitment to update the information contained herein. Unless specifically provided otherwise, Atmel products are not suitable for, and shall not be used in, automotive applications. Atmel's products are not intended, authorized, or warranted for use as components in applications intended to support or sustain life.

© 2007 Atmel Corporation. All rights reserved. Atmel®, logo and combinations thereof, and others are registered trademarks or trademarks of Atmel Corporation or its subsidiaries. Other terms and product names may be trademarks of others.