

DISK # DVB DATA CONTAINED IN THIS DOCUMENT IS PROPRIETARY TO TROMPETER ELECTRONICS INC. AND SHALL NOT BE DISCLOSED, COPIED OR USED FOR REPRODUCTION OR MANUFACTURE WITHOUT EXPRESS WRITTEN PERMISSION.
 H 4 C

REV		EO	DESCRIPTION	3-0123	SH 1
E		10049	PICTORIALLY CHANGED 1.00 FLAIRED SEALING SLEEVE TO STRAIGHT (1.25) LONG SEALING SLEEVE; GENERAL UPDATE	DWN	APPROVED DATE
				DKC	12/15/92

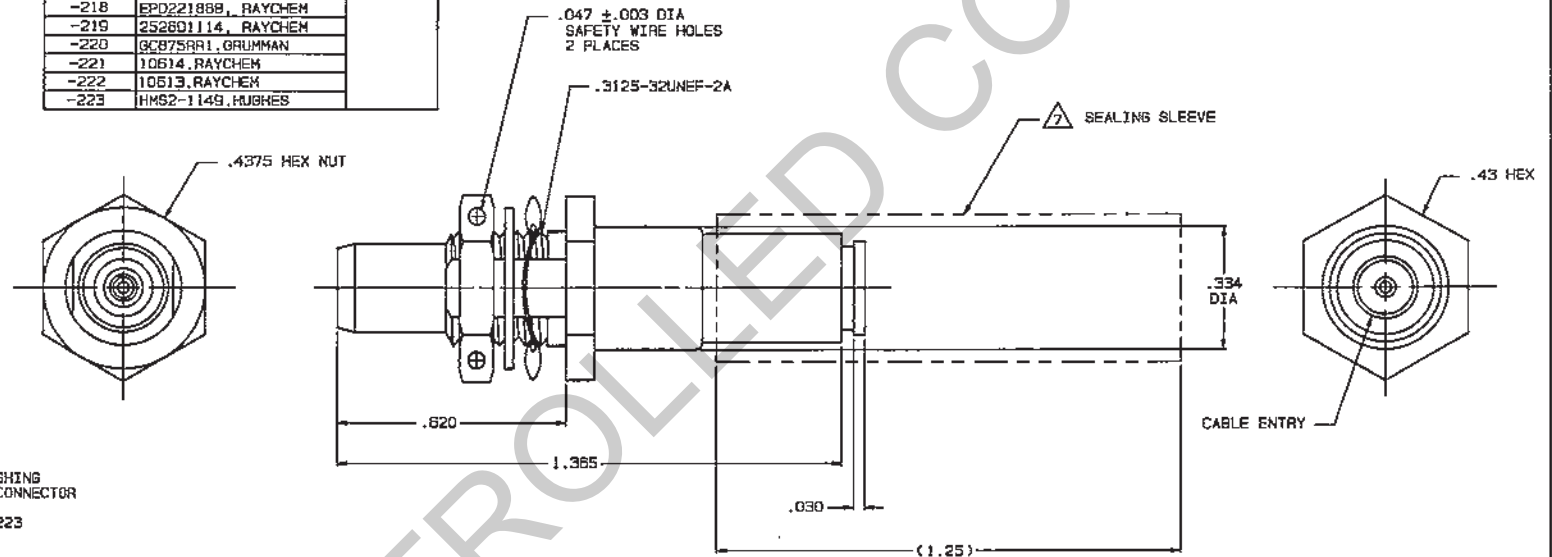
TABLE 1

DASH NO	MODEL NO	CENTER CONTACT/INTHD CONTACT TYPE
-1	BJ3459AC P	SOCKET/PIN
-2	BJ3459AC S	PIN/SOCKET

TABLE 2

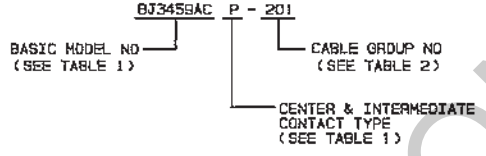
CABLE GROUP NO	CABLES ACCOMMODATED	ASSEMBLE PER
-201	M17/176-00002	TAI-162
-202	TWC-78-1, TROMPETER	
-203	TWC-124-1A, TROMPETER	
-204	10802, RAYCHEM	
-205	TWAC-78-1F2, TROMPETER	
-206	7826DD130, RAYCHEM	
-208	202-3927, MICRODOT	
-209	2D2-3942, MICRODOT	
-212	2524E0114, RAYCHEM	
-217	0C675TM24H GRUMMAN	
-218	EPD221888, RAYCHEM	
-219	2526D1114, RAYCHEM	
-220	0C875RR1, GRUMMAN	
-221	10614, RAYCHEM	
-222	10613, RAYCHEM	
-223	HMS2-1149, HUGHES	

INCH	MM
.003	0.08
.0050	0.13
.010	0.25
.030	0.76
.047	1.19
.125	3.18
.255	6.48
.274	6.96
.278	7.05
.330	8.38
.334	8.48
.335	8.51
.43	10.92
.4375	11.11
.620	15.78
1.00	25.40
1.365	34.67

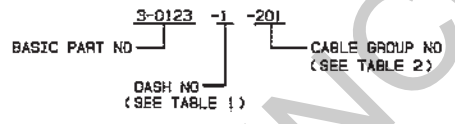


7. SEALING SLEEVE & CRIMP BUSHING SUPPLIED LOOSE WITH EACH CONNECTOR EXCEPT NOT USED ON -205, -208 & -223

6. EXAMPLE OF COMPLETE MODEL NO:



5. EXAMPLE OF COMPLETE PART NO:



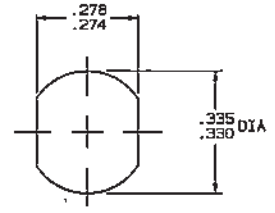
4. MAX PANEL THK .125

3. CONCENTRIC TWIMAX 4 PIECE ASSY, FULL CRIMP NONINSULATED BULKHEAD MOUNT RECEPTACLE, SOCKET CENTER CONTACT AND PIN INTERMEDIATE CONTACT OR PIN CENTER CONTACT AND SOCKET INTERMEDIATE CONTACT

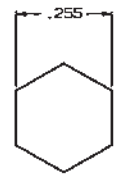
2. FINISH: TFS-1U (500 HOURS SALT SPRAY; NICKEL)

1. ALL DIM ARE IN INCHES

-1-221 SHOWN



RECOMMENDED PANEL CUTOUT



RECOMMENDED HEX CRIMP

QTY	DESCRIPTION	PART NUMBER	ITEM
TO, UNLESS SPECIFIED	XX ± .03 XXX ± .010 XXXX ± .0050 ANGLES	TROMPETER RF connectivity	BJ3459ACP/S
DWN	DKC 12-7-92	MATERIAL	COOE IDENT
CHK	DKC 12-9-92	14948	DRAWING NO. 3-0123
ENGR	-	-	REV E
NEXT ASSY	APPR ZD 12-15-92	SCALE 4/1	DATE 10-7-87 SHEET 1 OF 2