

CAT4201 LED Driver Evaluation Board

INTRODUCTION

This document describes the CAT4201EVAL2 evaluation board for the CAT4201 high efficiency step-down LED driver. Boards equipped with a 9V battery and separate LED module can be used for demonstrations (see Fig. 1).

The CAT4201 is a high efficiency step-down LED driver from Catalyst Semiconductor. This device is designed to drive high brightness LEDs up to 350mA from a power supply up to 28V. The LED brightness is controlled by a single resistor from the RSET pin to GND. Analog dimming and idle mode control are available through the CTRL input. An external circuit is provided on the CAT4201EVAL2 for PWM dimming.

OPERATION PROCEDURE

The CAT4201EVAL2 board has two modes of operation. The first is normal operation and the second is operation with PWM dimming. Normal operation is set by placing jumper J1 in the right side position with pins 2 and 3 tied together. In this mode, the CTRL pin is pulled up to the LED cathode (LED-). The LED(s) will be at full brightness as long as the CTRL pin is greater than 3V. LED current can be set from 70mA to 350mA by adjusting potentiometer R2.

To set the board for PWM dimming, jumper J1 should be placed in the left side position with pins 1 and 2 tied together. A PWM signal can be applied to the PWM pin to dim the LED brightness. The amplitude of the PWM signal should be greater than 1V.

DEVICE DEMONSTRATION

To set up the CAT4201EVAL2 for demonstrations, the board should be set up for normal operation with a 9V battery securely placed in the holder. A separate LED module should also be plugged into the 6-pin connector. To turn on the LED, press and hold the *POWER* button. The LED will turn off once the button is released.

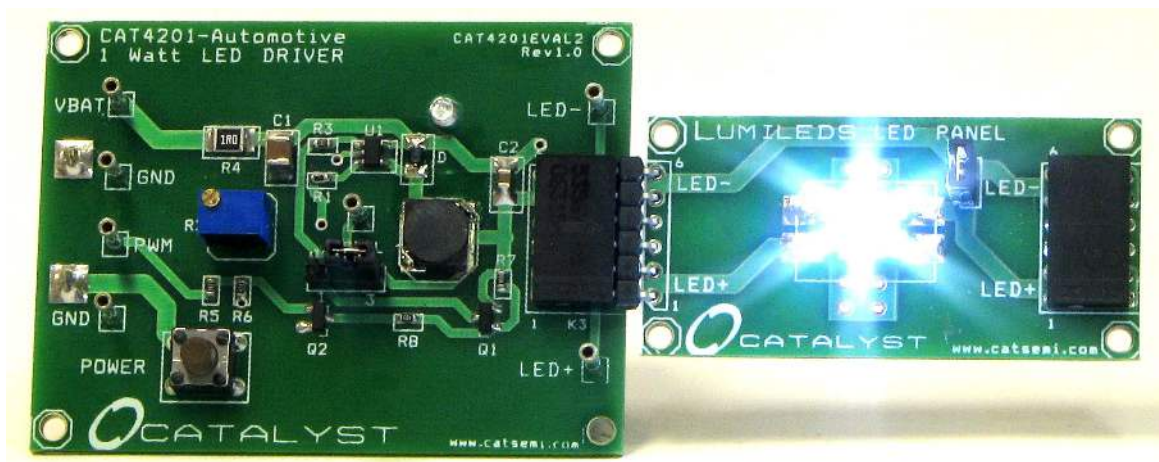


Figure 1. CAT4201EVAL2 with LED Module

CAT4201EVAL2

SCHEMATIC

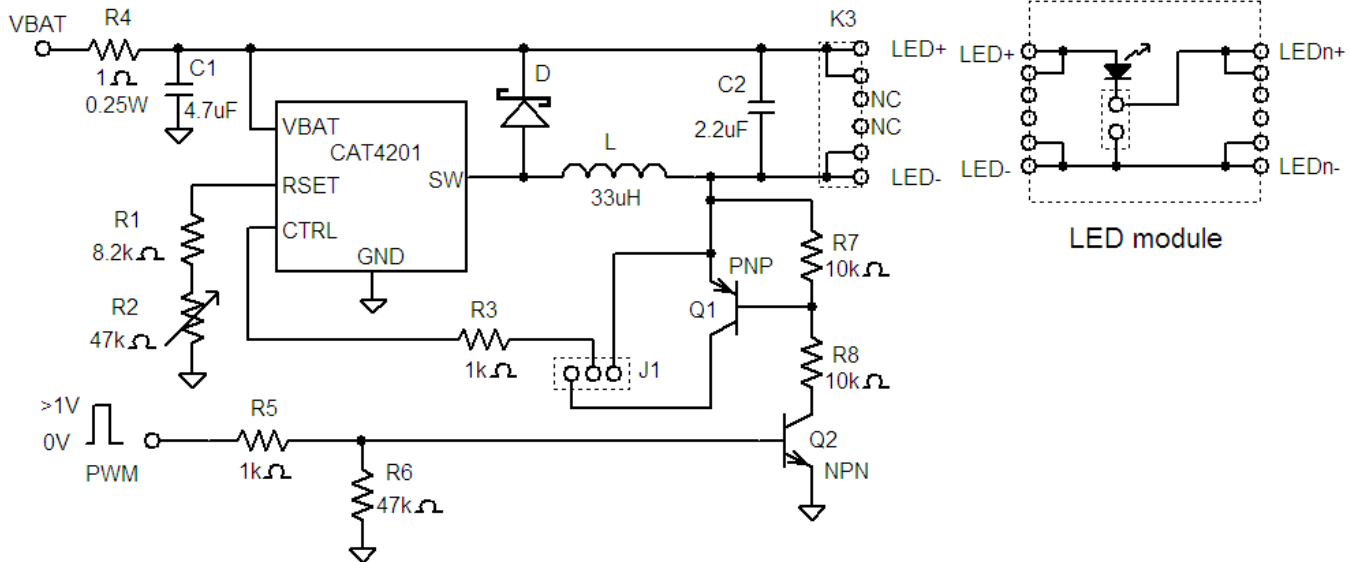


Figure 2. CAT4201EVAL2 Schematic

BILL OF MATERIALS

Name	Manufacturer	Description	Part Number	Units
U1	Catalyst	High Efficiency Step-Down LED Driver, SOT-23-5	CAT4201	1
Q1	OnSemi	PNP Bipolar Transistor -45V / -500mA, SOT-23	BC807-25LT1G	1
Q2	OnSemi	NPN Bipolar Transistor 45V / 100mA, SOT-23	BC847CLT1G	1
D	Zetex	Schottky Diode 40V / 400mA, Size SOD-323	ZHCS400	1
C1	Murata	Ceramic Capacitor 4.7uF / 50V, X7R, Size 1210	GRM32ER71H475KA88L	1
C2	Murata	Ceramic Capacitor 2.2uF / 25V, X5R, Size 0805	GRM219R61E225KA12D	1
L	Sumida	Inductor 33uH, low DCR, 0.97A	CDRH6D28-330	1
R1	Yageo	SMT Resistor 1/10W, 8.2kΩ, 0603	9C06031A8201FKHFT	1
R2	Vishay	Trim Pot. 47kΩ	T63YB473K	1
R3,R5	Yageo	SMT Resistor 1/10W, 1kΩ, 0603	9T06031A1001FBHFT	2
R4	Panasonic	SMT Resistor 1Ω / 500mW Size 1210	ERJ-P14J1R0U	1
R6	Yageo	SMT Resistor 1/10W, 47kΩ, 0603	9T06031A4702FBHFT	1
R7, R8	Yageo	SMT Resistor 1/10W, 10kΩ, 0603	9T06031A1002FBHFT	2
J1	Tyco	3 Pin Header Connector 0.1" Pitch	640452-3	1
	Tyco	2 Pin Header Connector 0.1" Pitch	640452-2	1
K3	Tyco	6 Pin Header Receptacle 0.1" Pitch	535676-5	1
	HDK	SPST Pushbutton Switch	KSM0631A	1
	Keystone	9V Battery Holder (optional)	1294	1

REVISION HISTORY

Date	Rev.	Reason
05/21/07		

Copyrights, Trademarks and Patents

Trademarks and registered trademarks of Catalyst Semiconductor include each of the following:

Beyond Memory™, DPP™, EZDim™, LDD™, MiniPot™, and Quad-Mode™

Catalyst Semiconductor has been issued U.S. and foreign patents and has patent applications pending that protect its products.

CATALYST SEMICONDUCTOR MAKES NO WARRANTY, REPRESENTATION OR GUARANTEE, EXPRESS OR IMPLIED, REGARDING THE SUITABILITY OF ITS PRODUCTS FOR ANY PARTICULAR PURPOSE, NOR THAT THE USE OF ITS PRODUCTS WILL NOT INFRINGE ITS INTELLECTUAL PROPERTY RIGHTS OR THE RIGHTS OF THIRD PARTIES WITH RESPECT TO ANY PARTICULAR USE OR APPLICATION AND SPECIFICALLY DISCLAIMS ANY AND ALL LIABILITY ARISING OUT OF ANY SUCH USE OR APPLICATION, INCLUDING BUT NOT LIMITED TO, CONSEQUENTIAL OR INCIDENTAL DAMAGES.

Catalyst Semiconductor products are not designed, intended, or authorized for use as components in systems intended for surgical implant into the body, or other applications intended to support or sustain life, or for any other application in which the failure of the Catalyst Semiconductor product could create a situation where personal injury or death may occur.

Catalyst Semiconductor reserves the right to make changes to or discontinue any product or service described herein without notice. Products with data sheets labeled "Advance Information" or "Preliminary" and other products described herein may not be in production or offered for sale.

Catalyst Semiconductor advises customers to obtain the current version of the relevant product information before placing orders. Circuit diagrams illustrate typical semiconductor applications and may not be complete.



Catalyst Semiconductor, Inc.
Corporate Headquarters
2975 Stender Way
Santa Clara, CA 95054
Phone: 408.542.1000
Fax: 408.542.1200
www.catsemi.com

Document No:
Revision:
Issue date: 05/21/07