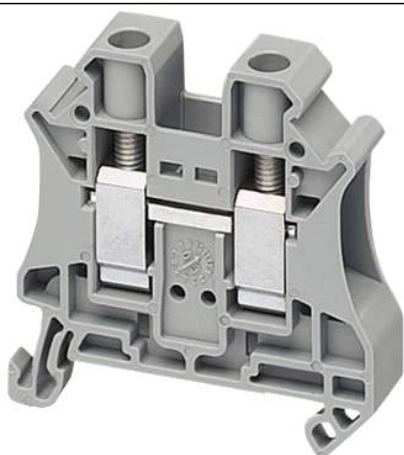


NSYTRV102

SCREW TERMINAL, FEED THROUGH, 2 POINTS, 10MM² , GREY



Main

Range	Linergy
Product name	Linergy TR
Product or Component Type	Terminal block
Device short name	TRV
Accessory / separate part category	Connection accessory
Terminal block type	Passthrough
Terminal block level	1
Mounting Mode	Clip-on
Nominal cross section	0.02 in ² (10 mm ²)
Length	1.88 in (47.7 mm)
Color	Gray
Quantity per Set	Set of 50

Complementary

Width	0.40 in (10.2 mm)
Height	1.87 in (47.5 mm)
Connections - terminals	1 x screw terminal upstream M4) 1 x screw terminal downstream M4)
Number of connections	2
Connection position	Sideways
Number of measurement input	2
Cable cross section	0.00...0.02 In ² (0.2...10 mm ²), solid with cable end 0.00...0.02 In ² (0.2...10 mm ²), flexible with cable end 0.00...0.02 In ² (0.5...16 mm ²), solid without cable end 0.00...0.02 in ² (0.5...16 mm ²), flexible without cable end
Tightening torque	13.28...15.93 lbf.in (1.5...1.8 N.m)
Wire stripping length	0.39 in (10 mm)
Tool type	Connection screwdriver Disconnection screwdriver
[Ue] rated operational voltage	1000 V EN/IEC 60947-7-1 600 V CSA 690 V ATEX Exe II Ex II 2 GD 600 V cURus
Line Rated Current	57 A EN/IEC 60947-7-1 65 A cURus 65 A CSA 54 A ATEX Exe II Ex II 2 GD
Material	Polyamide 6/6 insulating case Copper alloy connector and screw Copper alloy commoning link Chromium-nickel steel spring
Dielectric loss	0.01 at 1 MHz IEC 60250 0.01 at 1 MHz VDE 0303-T4
Dielectric constant	3.7 at 1 MHz
Resistivity	10000 MΩ.M IEC 60093 10000 MΩ.m VDE 0303-T30
Surface resistance	1000 GΩ IEC 60093 1000 GΩ VDE 0303-T30
Creep resistance	500 CTI (> 400 kV) IEC 60093 500 CTI (> 400 kV) VDE 0303-T30

Flame retardance	V0 0.03 in (0.8 mm) UL 94
Net Weight	0.63 oz (18 g)
Range compatibility	Prisma G Prisma P Prisma PH Prisma Pack Spacial Kaedra Pragma TeSys
Product Compatibility	Spacial enclosures

Environment

Product Certifications	IEC-Ex LR VDE EAC DNV GL CURus ATEX CSA
Dielectric strength	1000 V IEC 60243-1
Ambient air temperature for operation	-40...266 °F (-40...130 °C) IEC 60216-1 -40...266 °F (-40...130 °C) VDE 0304-T21

Ordering and shipping details

Category	21715-IEC TERMINAL BLOCKS-NSY,AM1,DF6,GK1
Discount Schedule	CP5
GTIN	3606480532092
Nbr. of units in pkg.	1
Package weight(Lbs)	0.59 oz (16.8 g)
Returnability	Yes
Country of origin	DE

Packing Units

Unit Type of Package 1	PCE
Package 1 Height	0.39 in (1 cm)
Package 1 width	1.77 in (4.5 cm)
Package 1 Length	1.97 in (5 cm)
Unit Type of Package 2	BB1
Number of Units in Package 2	50
Package 2 Weight	31.22 oz (885.0 g)
Package 2 Height	1.97 in (5 cm)
Package 2 width	4.13 in (10.5 cm)
Package 2 Length	10.43 in (26.5 cm)
Unit Type of Package 3	P06
Number of Units in Package 3	5000
Package 3 Weight	212.75 lb(US) (96.5 kg)
Package 3 Height	28.94 in (73.5 cm)
Package 3 width	31.50 in (80 cm)
Package 3 Length	23.62 in (60 cm)

Offer Sustainability

Sustainable offer status	Green Premium product
California proposition 65	WARNING: This product can expose you to chemicals including: Lead and lead compounds, which is known to the State of California to cause cancer and birth defects or other reproductive harm. For more information go to www.P65Warnings.ca.gov
REACH Regulation	REACH Declaration
EU RoHS Directive	Compliant EU RoHS Declaration
Mercury free	Yes
RoHS exemption information	Yes
China RoHS Regulation	China RoHS Declaration
Environmental Disclosure	Product Environmental Profile
WEEE	The product must be disposed on European Union markets following specific waste collection and never end up in rubbish bins.
Halogen content performance	Halogen free plastic parts product

Contractual warranty

Warranty	18 months
----------	-----------