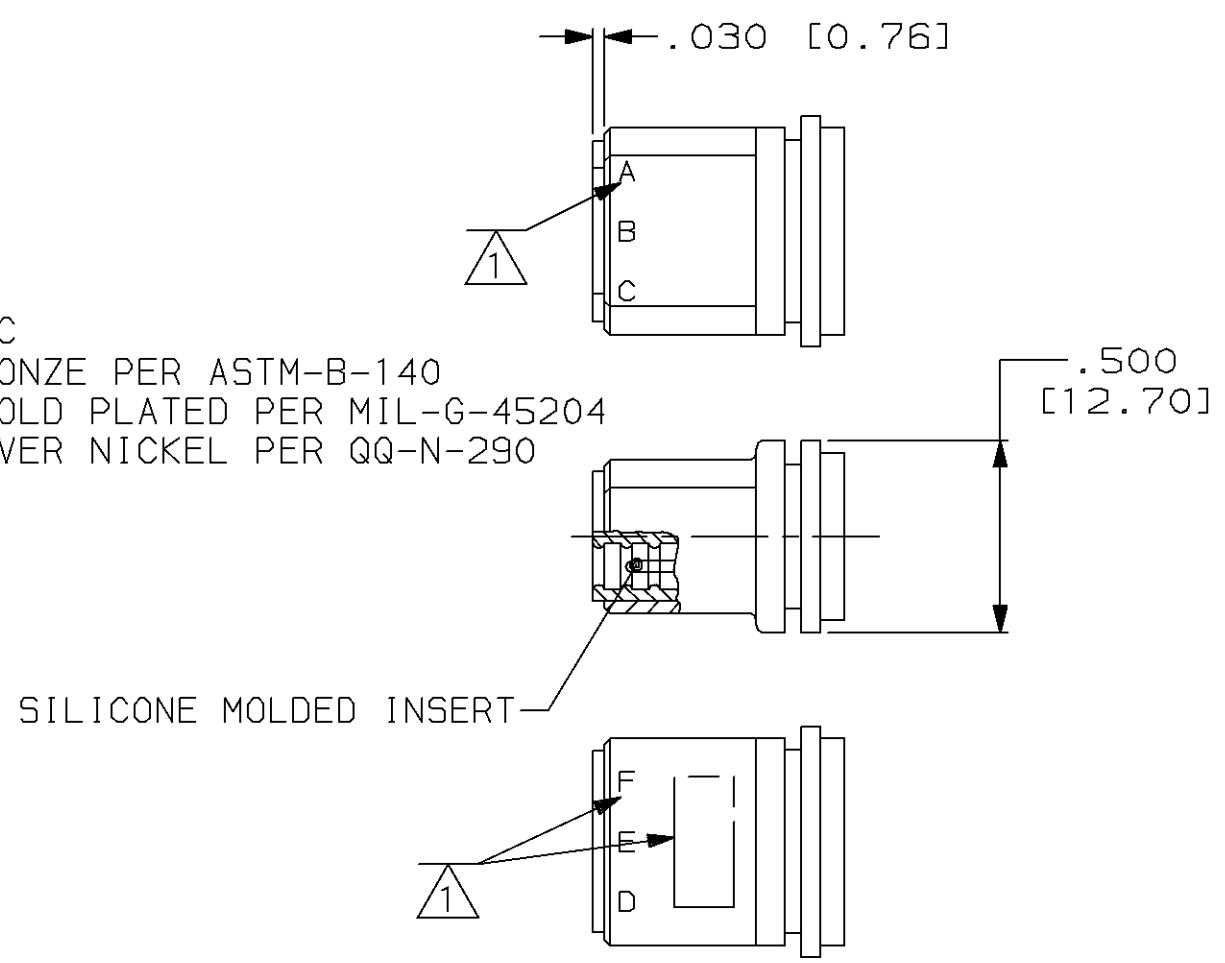
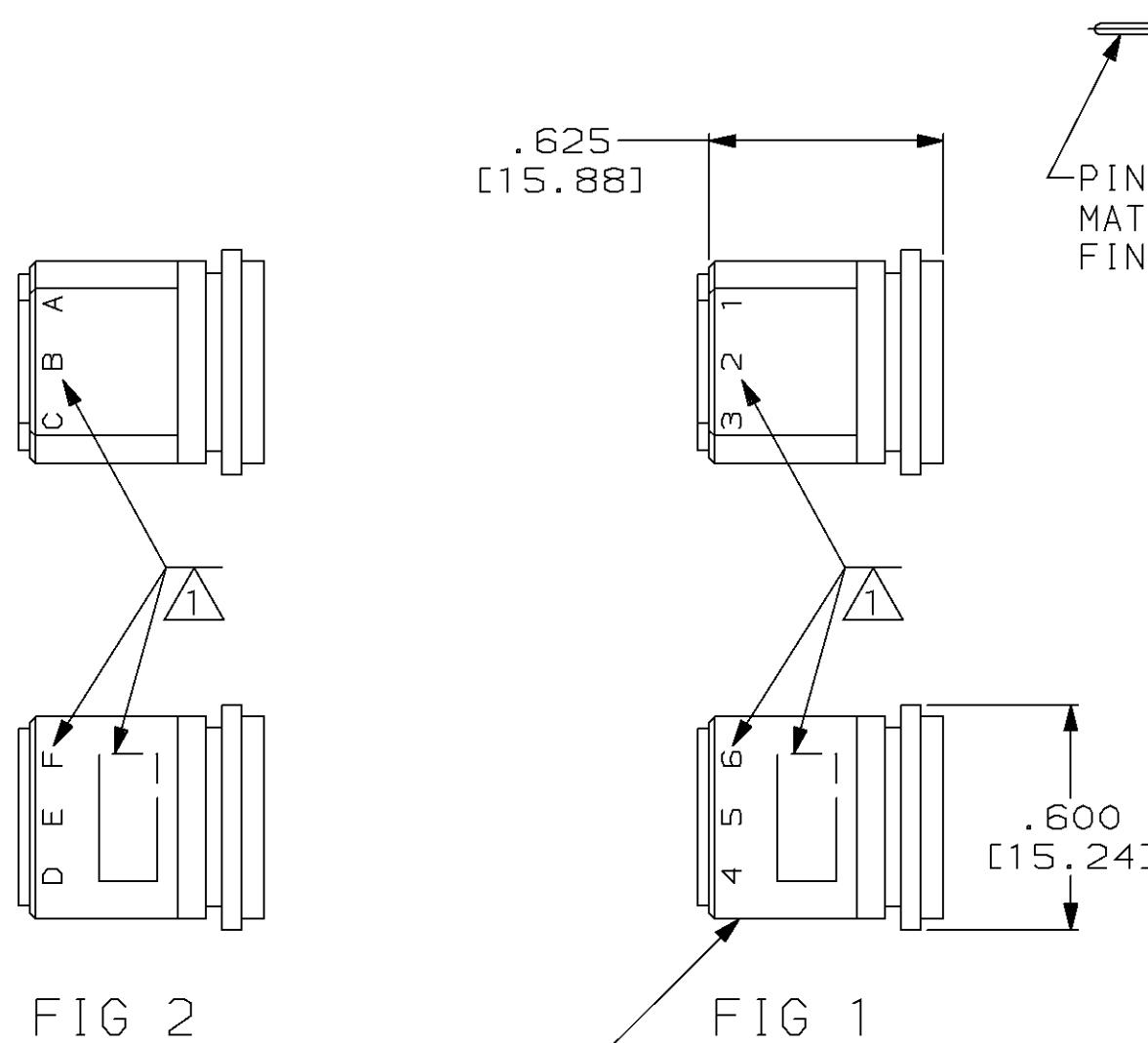


THIS DRAWING IS UNPUBLISHED. RELEASED FOR PUBLICATION, 19  
 © COPYRIGHT 19 BY AMP INCORPORATED. ALL INTERNATIONAL RIGHTS RESERVED.

PROD	LOC	DIST	P	F	ZONE	LTR	DESCRIPTION	DATE	APPD
4081	DF	SO				E	REV & REDRAWN PER DF-5994 CT	1-93	DE

PART NO.	MARKING	
862584-1	FIG 1	
862584-2	FIG 2	OBSOLETE
862584-3	FIG 3	



AMP INFO & CAVITY LETTERS MARKED PER MIL-STD-130.

THIS DRAWING IS A CONTROLLED DOCUMENT FOR AMP INCORPORATED. IT IS SUBJECT TO CHANGE AND THE CONTROLLING ENGINEERING ORGANIZATION SHOULD BE CONTACTED FOR THE LATEST REVISION.

DO NOT SCALE PRINT. UNLESS SPECIFIED DIMENSIONS IN INCHES [mm]	DR 12-7-92 C.C.THOMAS
TOLERANCES ON:	CHK 1-11-93 D.EABY
2 PLC DEC ± -	APPD 1-11-93 D.EABY
3 PLC DEC ± .005 [0.13]	APPD 1-11-93 C.C.THOMAS
ANGLES ± -	PRODUCT SPEC -
MATERIAL	APPLICATION SPEC -
SEE CALLOUTS	WEIGHT -
FINISH	
SEE CALLOUTS	

<b>AMP</b> AMP Incorporated Harrisburg, PA 17105-3608		
NAME 6 PIN SUBMINIATURE PLUG KIT, LGH		
SIZE B	CAGE CODE 00779	DRAWING NO C-862584
SCALE 2:1	SHEET 1 OF 1	