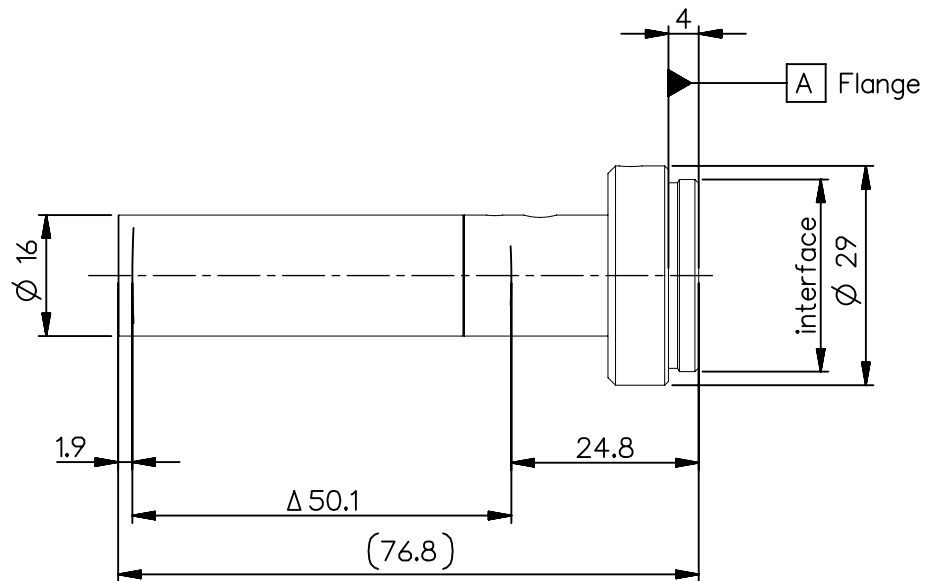


order number	lens name	f-stop
0009-193-000-40	Macro-CCD-Lens -2x	4.4



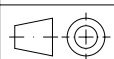
Specification		ON	
image circle max. (mm)	11	working distance (mm)	75
focal length f' (mm)	25.6	interface	C-mount
magnification β' [range]	-2	filter thread	-
spectral range λ (nm)	400 - 750	weight (g)	40

schematic diagram *) in air 		design includes CCD cover glass: no	
SF (mm)	-64.2	f-stop	
S'F' (mm) *)	-12.7	Ø EnP	
HH' (mm) *)	50.5	Ø Exp	
SH (mm)	-38.7		
S'H' (mm) *)	-38.3		
SEnP (mm)			
S'ExP (mm) *)			

NX PROTECTIVE NOTE "DIN ISO 16016" TO BE OBSERVED	EU-D		AL-T1A		US-D		US-ML		not export controlled	
	REV		ECC		DATE		APPROVED		GENERAL TOLERANCE OF DIMENSION, FORM, POS.	
	a		Neuausg						SCALE 1:1	
	b		11-0358		20.07.11		Kuehne		MATERIAL	
c		14-0184		17.09.14		Schiff e		TITLE		
d		17-0915		05.12.17		Denk		Macro-CCD-Lens 2x		
								BASIC TOLERANCING PRINCIPLE		
								FIRST DATE NAME		
								ISSUE 17.09.14 Schifferer		
								CHKD 17.09.14 Stauder		
								DRAWING NO.		
								0009-193-100-40-0001d		
								REPLACES		
								SHEET 1		
								OF 1		

DIN A 4

ALL DIMENSIONS ARE IN MM AND INCLUDE SURFACE TREATMENT



SHEET 1
OF 1