

SAC-4PY-MT/2XFT VP - Y distributor



1410632

<https://www.phoenixcontact.com/us/products/1410632>

Please be informed that the data shown in this PDF document is generated from our online catalog. Please find the complete data in the user documentation. Our general terms of use for downloads are valid.



Y distributor, 4-position, Plug straight M12, coding: T, on Socket straight M12, coding: T and Socket straight M12, coding: T, For direct current up to 12 A/63 V

Your advantages

- High-performance: DC connectors for up to 12 A and 63 V DC

Commercial data

Item number	1410632
Packing unit	1 pc
Minimum order quantity	5 pc
Sales key	BF10
Product key	BF1GAP
Catalog page	Page 184 (C-6-2019)
GTIN	4046356924726
Weight per piece (including packing)	38.36 g
Weight per piece (excluding packing)	38.36 g
Customs tariff number	85366990
Country of origin	PL

SAC-4PY-MT/2XFT VP - Y distributor



1410632

<https://www.phoenixcontact.com/us/products/1410632>

Technical data

Product properties

Product type	Y-distributor
Number of positions	4
Application	Power supply
No. of cable outlets	2
Shielded	no
Coding	T
Thread type	M12

Insulation characteristics

Overvoltage category	III
Degree of pollution	3

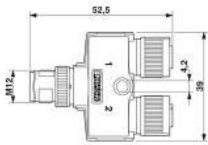
Electrical properties

Insulation resistance	$\geq 100 \text{ M}\Omega$
Nominal voltage U_N	63 V DC
Nominal current I_N	2x 12 A (at 40 °C)

Signaling

Status display	No
Status display present	No

Dimensions

Dimensional drawing	
Length	52.5 mm
Center distance	21 mm

Material specifications

Flammability rating according to UL 94	HB
Seal material	NBR
Material of grip body	TPU, hardly inflammable, self-extinguishing
Contact material	CuZn
Contact surface material	Ni/Au
Contact carrier material	PA
Material for screw connection	Zinc die-cast, nickel-plated

Connector

Connection 1

SAC-4PY-MT/2XFT VP - Y distributor



1410632

<https://www.phoenixcontact.com/us/products/1410632>

Type	Plug straight M12
Coding type	T

Connection 2

Type	Socket straight M12
Coding type	T

Mechanical properties

Mechanical data

Insertion/withdrawal cycles	≥ 100
-----------------------------	-------

Environmental and real-life conditions

Ambient conditions

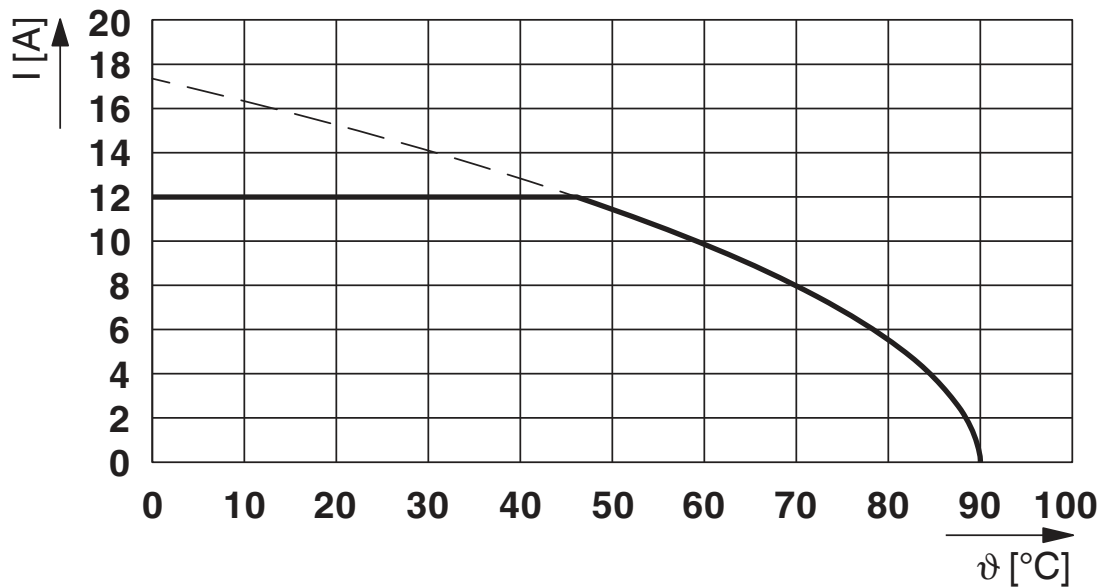
Degree of protection	IP65
	IP67
Ambient temperature (operation)	-25 °C ... 85 °C (Plug / socket)

Standards and regulations

Standard designation	M12 connector
Standards/specifications	IEC 61076-2-111

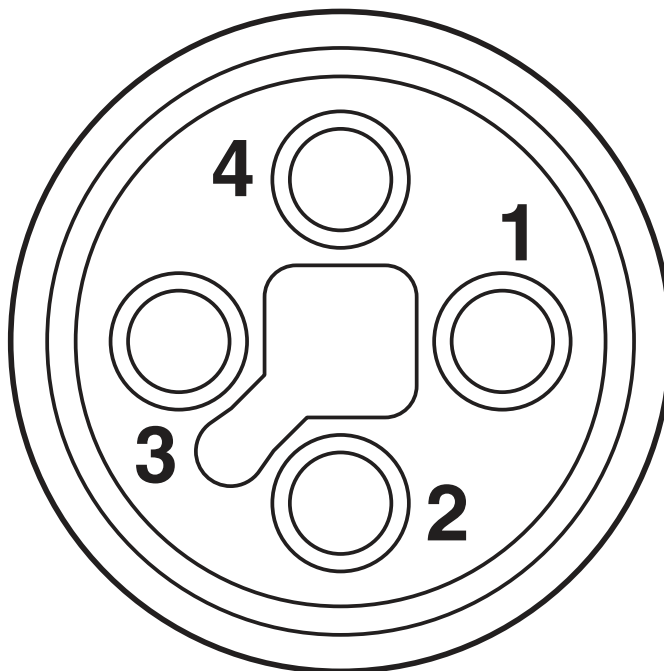
Drawings

Diagram



Current carrying capacity

Schematic diagram



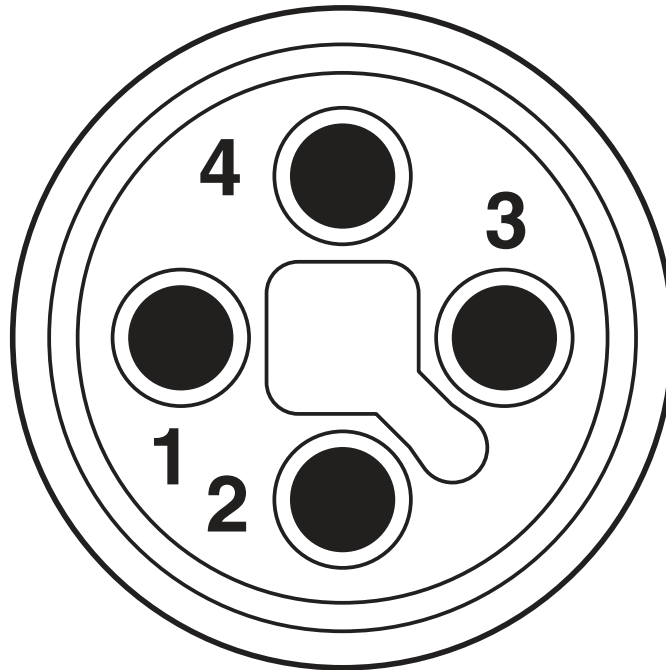
Pin assignment of M12 socket, 4-pos., T-coded, socket side view

SAC-4PY-MT/2XFT VP - Y distributor

1410632

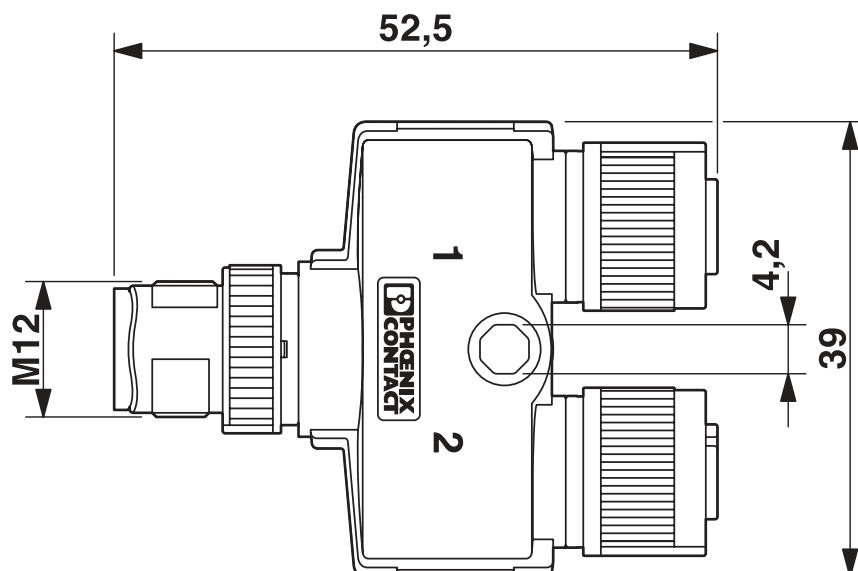
<https://www.phoenixcontact.com/us/products/1410632>

Schematic diagram



Pin assignment for M12 plug, 4-pos., T-coded, view of plug side

Dimensional drawing



M12 Y distributor

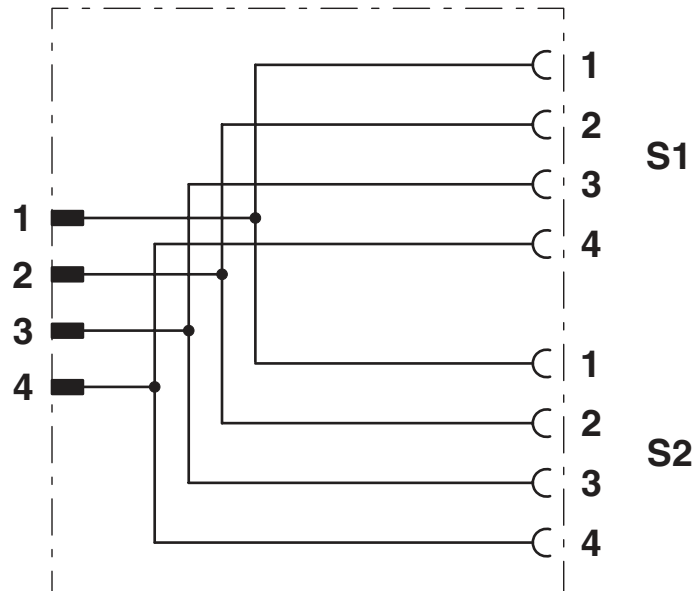
SAC-4PY-MT/2XFT VP - Y distributor

1410632

<https://www.phoenixcontact.com/us/products/1410632>



Circuit diagram



SAC-4PY-MT/2XFT VP - Y distributor



1410632

<https://www.phoenixcontact.com/us/products/1410632>

Classifications

ECLASS

ECLASS-11.0	27440106
ECLASS-12.0	27440106
ECLASS-13.0	27440106

ETIM

ETIM 8.0	EC002925
----------	----------

UNSPSC

UNSPSC 21.0	31251500
-------------	----------

SAC-4PY-MT/2XFT VP - Y distributor



1410632

<https://www.phoenixcontact.com/us/products/1410632>

Environmental product compliance

REACH SVHC	Lead 7439-92-1
China RoHS	Environmentally Friendly Use Period = 50 years
	For information on hazardous substances, refer to the manufacturer's declaration available under "Downloads"

SAC-4PY-MT/2XFT VP - Y distributor



1410632

<https://www.phoenixcontact.com/us/products/1410632>

Accessories

PROT-M12 - Screw plug

1680539

<https://www.phoenixcontact.com/us/products/1680539>



An M12 screw plug for the unoccupied M12 sockets of the sensor/actuator cable, boxes and flush-type connectors

PROT-M12 FS - Sealing cap

1560251

<https://www.phoenixcontact.com/us/products/1560251>



M12 sealing cap for unoccupied M12 plugs of the sensor/actuator cable, flush-type plugs and I/O devices in the field

SAC-4PY-MT/2XFT VP - Y distributor

1410632

<https://www.phoenixcontact.com/us/products/1410632>



PROT-M12 MS-PA-CHAIN - Screw plug

1430899

<https://www.phoenixcontact.com/us/products/1430899>

M12 sealing cap with fixing band, for sensor cables, for free M12 sockets



PROT-M12 FS-PA-CHAIN - Sealing cap

1430873

<https://www.phoenixcontact.com/us/products/1430873>

M12 sealing cap made of plastic with fixing band, for sensor cables, for free M12 plugs



SAC-4PY-MT/2XFT VP - Y distributor

1410632

<https://www.phoenixcontact.com/us/products/1410632>



TSD 04 SAC - Torque screwdriver

1208429

<https://www.phoenixcontact.com/us/products/1208429>



Torque screwdriver, with preset torque of 0.4 Nm and 4 mm hexagonal drive for M12 connectors

SAC BIT M12-D15 - Tool

1208432

<https://www.phoenixcontact.com/us/products/1208432>



Nut for assembling sensor/actuator cables with M12 connector and M12 connectors for assembly, with a knurl diameter of 15 mm, for 4 mm hexagonal drive

Phoenix Contact 2023 © - all rights reserved
<https://www.phoenixcontact.com>

Phoenix Contact USA
586 Fulling Mill Road
Middletown, PA 17057, United States
(+717) 944-1300
info@phoenixcon.com