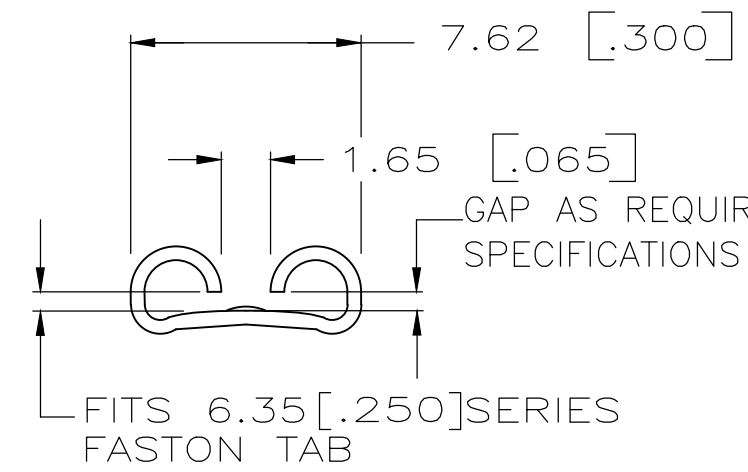
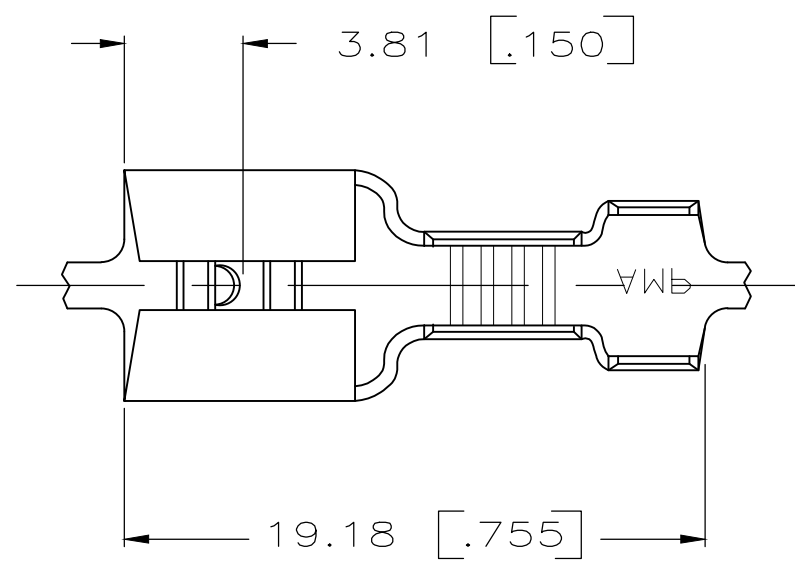


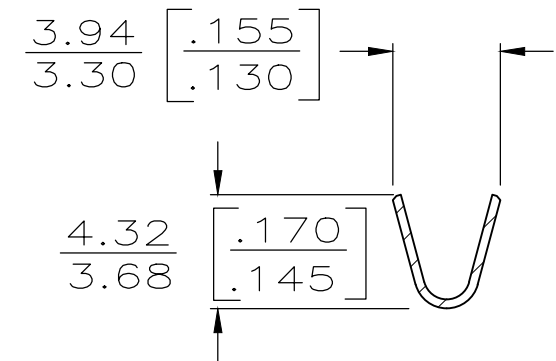
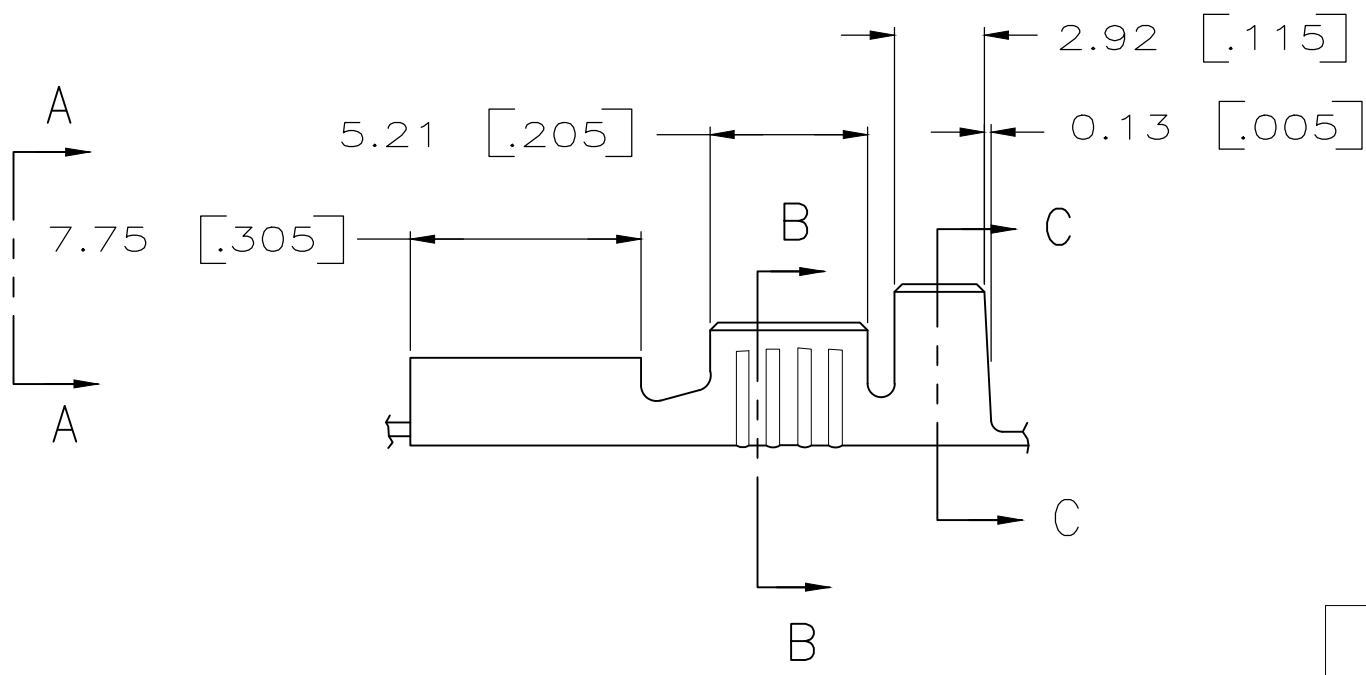
THIS DRAWING IS UNPUBLISHED. RELEASED FOR PUBLICATION
 © COPYRIGHT - By - ALL RIGHTS RESERVED.

LOC	DIST	REVISIONS					
AF	50	P	LTR	DESCRIPTION	DATE	DWN	APVD
		V1		REVISED PER ECR-20-009164	24JUL2020	MK	DH

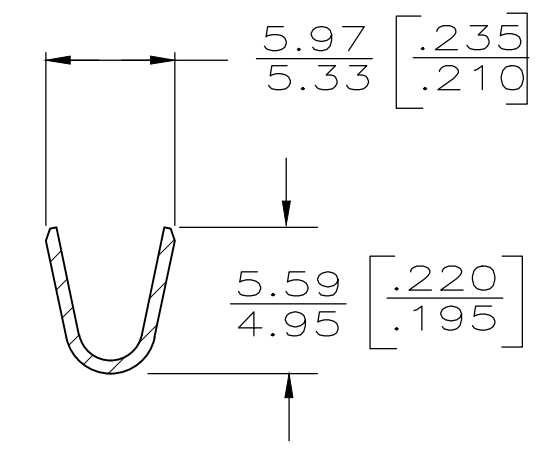
- 1 DIM'S IN BRACKETS ARE IN INCHES.
- 2 CONTINUOUS STRIP ON REELS.



VIEW A-A



SECT B-B



SECT C-C

3.05-4.32 [.120-.170] DIA	0.8-2.0mm ² [18-14] AWG	0.84-0.76 [.033-.030]	41202
INSUL RANGE	WIRE SIZE	MATING TAB THK	PART NO

0	4.57 [.180]	6.4 [.252]	F	3.05 [.120]	1.90 [.075]	2.0mm ² [14]
					1.68 [.066]	1.3mm ² [16]
					1.55 [.06]	0.8mm ² [18]
TYPE	WIDTH	STRIP LENGTH ±0.38 [±.015]	TYPE	WIDTH	±.051 [±.002] HEIGHT	WIRE
INSUL BARREL CRIMP			WIRE BARREL CRIMP			

THIS DRAWING IS A CONTROLLED DOCUMENT.

DIMENSIONS: mm [INCHES]

TOLERANCES UNLESS OTHERWISE SPECIFIED:

0 PLC	± -
1 PLC	± -
2 PLC	± 0.25 [.010]
3 PLC	± -
4 PLC	± -
ANGLES	± -
FINISH	-

MATERIAL: BRASS

DWN: JR RUTH 2/7/86
 CHK: G YETTER 2/7/86
 APVD: C MEYERS 2/7/86

PRODUCT SPEC: -
 APPLICATION SPEC: -
 WEIGHT: -

STE TE Connectivity

NAME: RECEPTACLE, FASTON, 6.35 [.250] SERIES

SIZE	CAGE CODE	DRAWING NO	RESTRICTED TO
A3	00779	C-41202	-

CUSTOMER DRAWING

SCALE: NTS SHEET: 1 OF 1 REV: V1