

SPECIFICATIONS

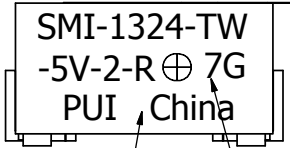
PARAMETERS	VALUES	UNITS
RATED VOLTAGE	5	Vdc
OPERATING VOLTAGE RANGE	4 ~ 7	Vdc
RATED CURRENT (MAX)	30	mA
MINIMUM SPL @ 10 CM	88	dBA
RESONANT FREQUENCY	2,400 ± 400	Hz
TONE OR PULSE RATE	CONTINUOUS	0 pulse /sec
OPERATING TEMPERATURE	-40 ~ +85	°C
STORAGE TEMPERATURE	-40 ~ +85	°C
HOUSING MATERIAL	PPS	-
TERMINAL MATERIAL	Sn PLATED BRASS	-
WEIGHT	2	grams

THIS DOCUMENT CONTAINS DATA PROPRIETARY TO PROJECTS UNLIMITED, INC. ANY USE OR REPRODUCTION, IN ANY FORM, WITHOUT PRIOR WRITTEN PERMISSION OF PROJECTS UNLIMITED, INC. IS PROHIBITED.
©2003, Projects Unlimited Inc.

REVISION HISTORY

LTR	DESCRIPTION	DATE	APPROVED
-	RELEASED FROM ENGINEERING	8/2/2004	
A	REVISED TERMINAL MATERIAL	12/13/2004	R.W.
B	REMOVED LEAD FREE ADDED RoHS NOTE	8/10/2005	
C	ADDED NOTE 4	11/02/2005	B.R.
D	REVISED TERMINAL MATERIAL	3/20/2006	B.R.
E	REVISED TEMPERATURES ADD DATE CODE	6/14/2006	R.W.
F	REVISED LAYOUT ADDED SIDE DIMENSION	8/16/2006	B.R.
G	REVISED TO INVENTOR 3-D DRAWING TEMPLATE	11/9/2007	B.R.

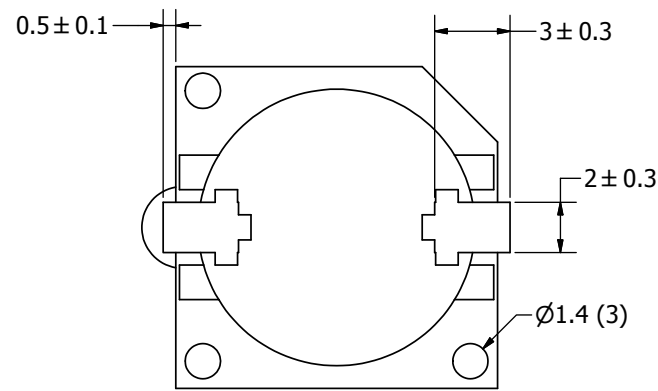
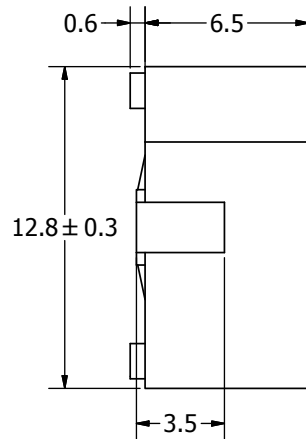
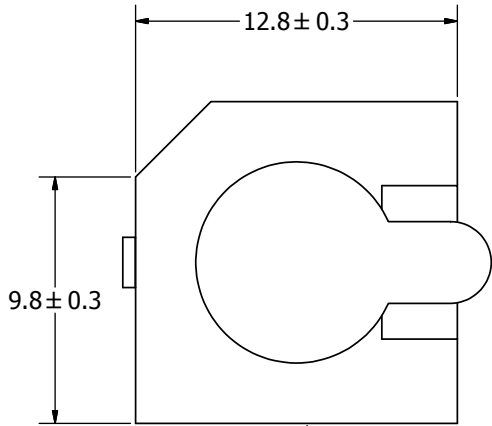
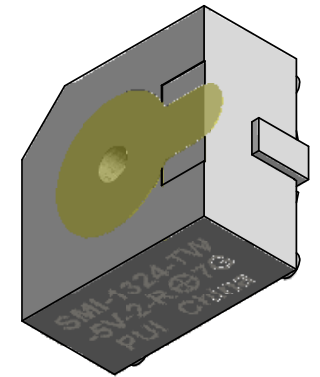
A (4 : 1)



SILK SCREEN MARKING
COLOR: SILVER

DATE CODE
MARKING

"7 G"
YEAR: 7=2007 MONTH: G=JULY



NOTES:

A ↑

1. ALL DIMENSIONS ARE IN MILLIMETERS.
2. SPECIFICATIONS SUBJECT TO CHANGE OR WITHDRAWAL WITHOUT NOTICE.
3. THIS PART IS RoHS 2002/95/EC COMPLIANT.
4. MAXIMUM REFOLW TEMPERATURE IS 260°C.

UNLESS OTHERWISE SPECIFIED: DIMENSIONS ARE IN MILLIMETERS, TOLERANCES ARE ±0.5 AND ANGLES ARE ±3°.	SIZE	Designed by	Date	Checked by	Date	Approved by	Date	Drawn Date
	A3	R.A.C.	8/2/2004			R.W.	8/2/2004	11/9/2007
SMI-1324-TW-5V-2-R.idw						SMI-1324-TW-5V-2-R		
						Indicator		Edition
				-	1 / 1			