

6 5 4 3 2 1

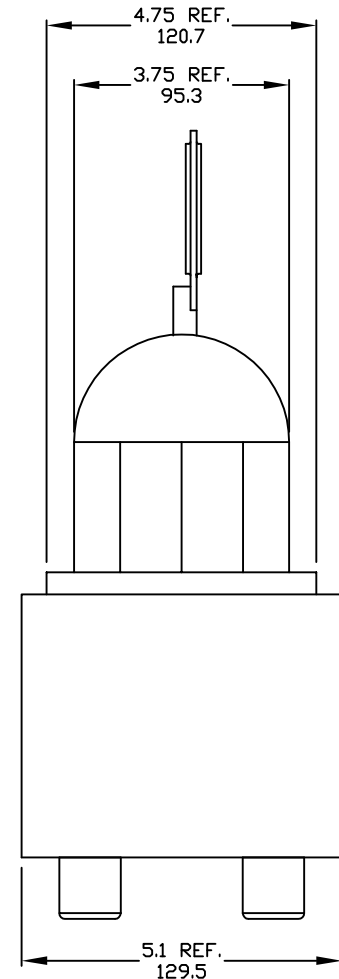
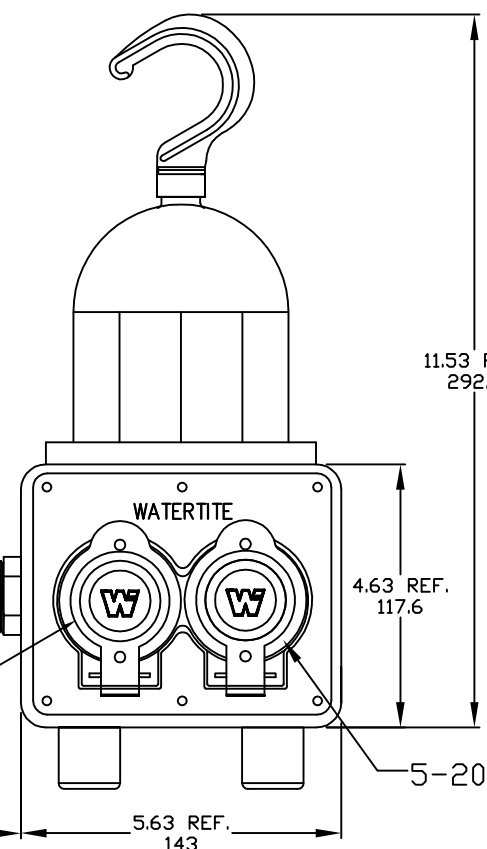
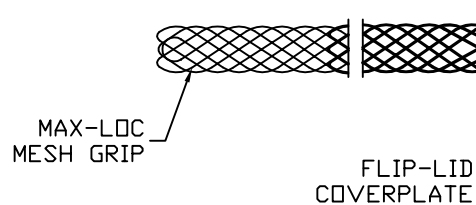
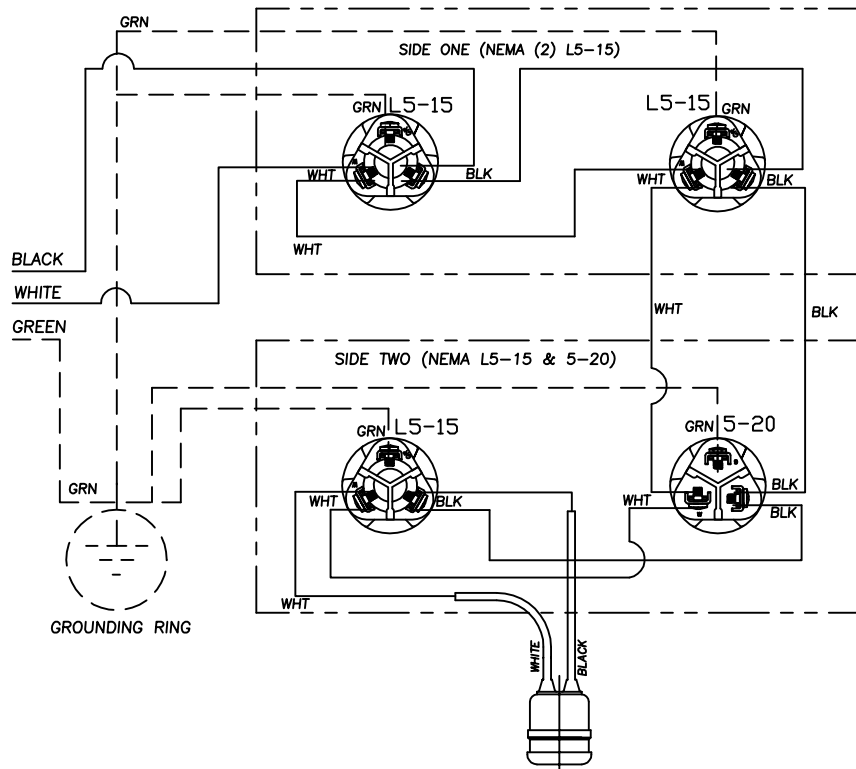
E

D

C

B

A



CUSTOMER DRAWING EC NO: WNA2010-0280 DRWN: HKNEELAN 10/19/09 CHKD: HKNEELAN 2009/10/26 APPR: DITITUS 2009/11/06	QUALITY SYMBOLS	GENERAL TOLERANCES (UNLESS SPECIFIED)	DIMENSION STYLE INCH/MM	SCALE NTS	DESIGN UNITS INCH	THIRD ANGLE PROJECTION		
	▽=0						mm	INCH
	∇=0						4 PLACES ±----	±----
							3 PLACES ±----	±0.05
	2 PLACES ±0.13	±0.10	CHECKED BY HKNEELAN	DATE 2009/10/26	TITLE 32W90-2 LIGHTED BOX NEMA (3)L5-15 & (1)5-20 WIRE MESH GRIP			
	1 PLACE ±0.25	±0.20	APPROVED BY DITITUS	DATE 2009/11/06				
		ANGULAR ±.5°	MATERIAL NO. 1301350367		MOLEX INCORPORATED			
		DRAFT WHERE APPLICABLE MUST REMAIN WITHIN DIMENSIONS	SIZE A		DOCUMENT NO. SD-130135-024	SHEET NO. 1 OF 1		

DRAFT WHERE APPLICABLE
MUST REMAIN
WITHIN DIMENSIONS

CHECKED BY
HKNEELAN
DATE
2009/10/26

APPROVED BY
DITITUS
DATE
2009/11/06

MATERIAL NO.
1301350367

SIZE
A

32W90-2 LIGHTED BOX
NEMA (3)L5-15 & (1)5-20
WIRE MESH GRIP

MOLEX INCORPORATED

DOCUMENT NO.
SD-130135-024

SHEET NO.
1 OF 1

THIS DRAWING CONTAINS INFORMATION THAT IS PROPRIETARY TO MOLEX INCORPORATED AND SHOULD NOT BE USED WITHOUT WRITTEN PERMISSION

6 5 4 3 2 1