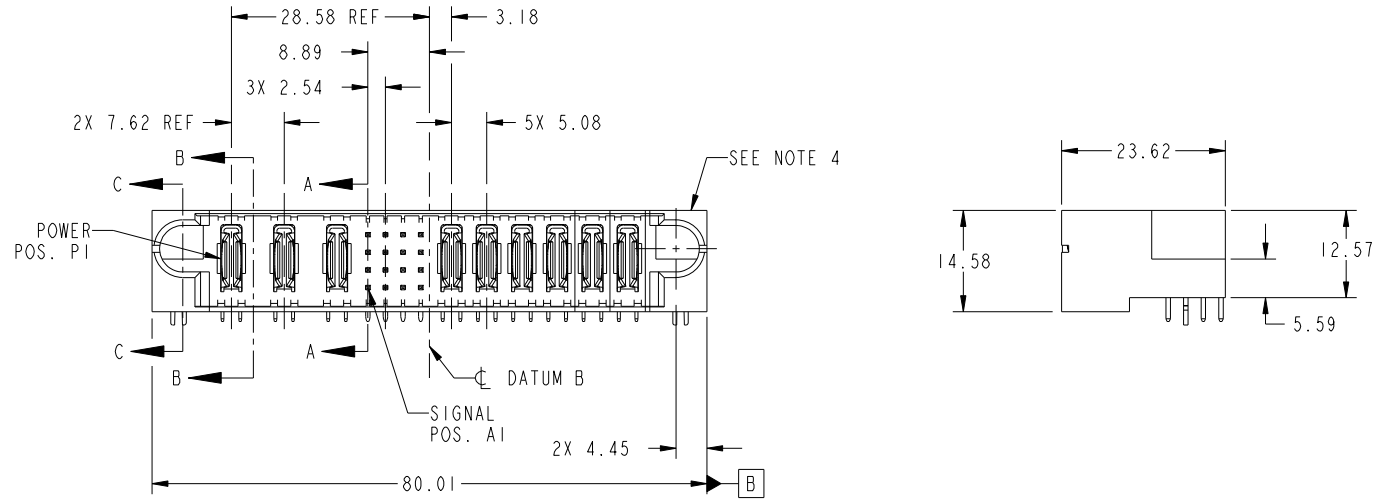
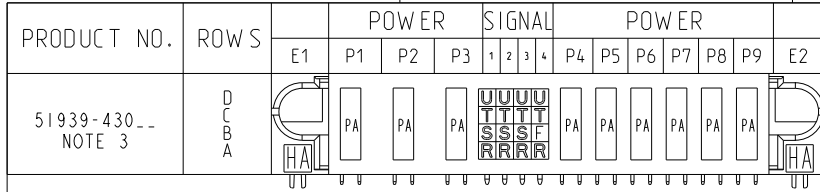


Tous droits strictement réservés. Reproduction ou communication a des tiers interdite sous quelque forme que ce soit sans autorisation écrite du propriétaire. Propriété de c FCI. Droits de reproduction FCI.

All rights strictly reserved. Reproduction or issue to third parties in any form whatever is not permitted without written authority from the proprietor. Property of FCI. Copyright FCI.



CODE	DIM "M" MATING LENGTH	CONTACT TYPE
U	[6.86]	SIGNAL
T	[6.86]	SIGNAL
S	[6.86]	SIGNAL
R	[6.86]	SIGNAL
PA	[N/A]	POWER
HA	[N/A]	HOLD-DOWN
F	[5.59]	SIGNAL

mat'l code				SEE NOTE	tolerances unless otherwise specified		CUSTOMER	 www.fciconnect.com
ltr	ecn no.	dr	date	linear	0.X ±0.5	COPY	title 3ACP + 16S + 4P RIGHT ANGLE SOLDER HEADER	
A	DG09-0207	WD	06/26/09	angles	0.XX ±0.25	projection		product family PwrBlade code 213
					0.XXX ±0.1		size dwg no 51939-430	
					0° ±2°			scale 1:1
				dr	Warren Du 04/02/09		sheet 1 of 4	
				enr	Warren Du 04/02/09			cage code 22526
				chr	PM ZHENG 04/02/09		sheet 1 of 4	
				appd	JOSEPH HSIA 04/02/09			sheet 1 of 4
sheet index	revision sheet	A	A	A	A			
		1	2	3	4			

Pro/E

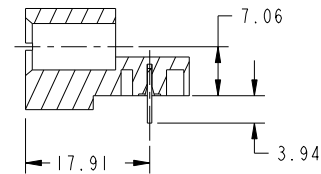
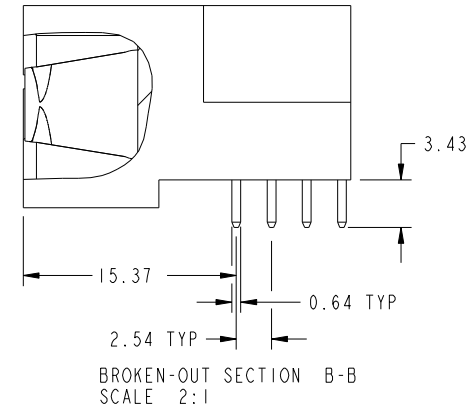
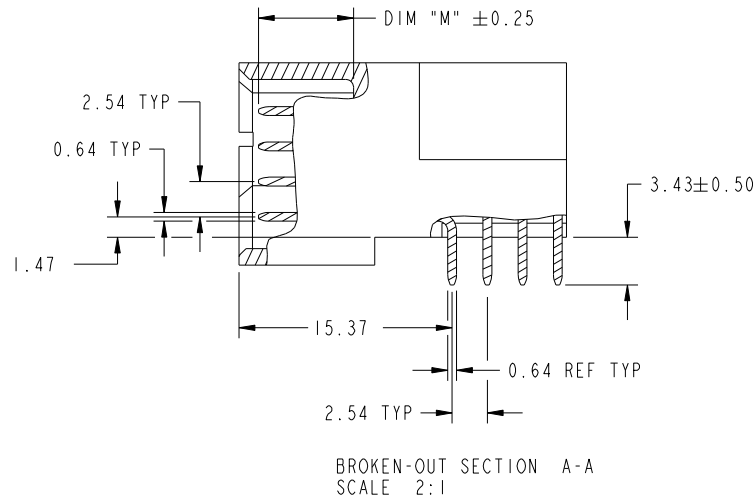
cage code 22526

Tous droits strictement reserves. Reproduction ou communication a des tiers interdite sous quelque forme que ce soit sans autorisation écrite du propriétaire. Propriete de c FCI. Droits de reproduction FCI.

All rights strictly reserved. Reproduction or issue to third parties in any form whatever is not permitted without written authority from the proprietor. Property of FCI. Copyright FCI.



PRODUCT NUMBER
51939-430__
NOTE: 3



mat'l code				SEE NOTE		tolerances unless otherwise specified		CUSTOMER		 www.fciconnect.com	
ltr	ecn no.	dr	date	linear	0.X ±0.5		COPY		title 3ACP + 16S + 4P RIGHT ANGLE SOLDER HEADER		
A					0.XX ±0.25		 projection				
					angles	0.XXX ±0.1		 MIM		product family PwrBlade code 213	
				dr		Warren Du	04/02/09	 scale 1:1		size dwg no 51939-430 sheet 2 of 4	
				enr	Warren Du	04/02/09					
				chr	PM ZHENG	04/02/09					
				appd	JOSEPH HSIA	04/02/09					
sheet index	revision sheet										

cage code 22526

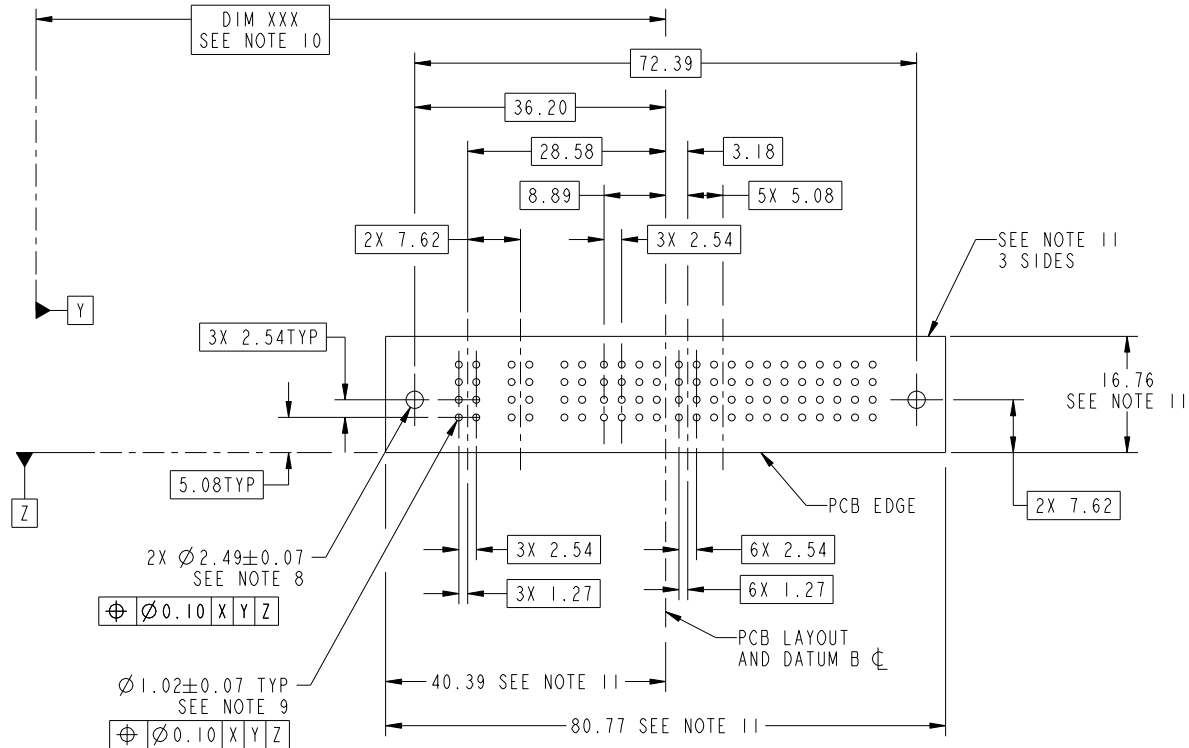
Pro/E

Tous droits strictement reserves. Reproduction ou communication a des tiers interdite sous quelque forme que ce soit sans autorisation ecrite du proprietaire. Propriete de c FCI. Droits de reproduction FCI.



All rights strictly reserved. Reproduction or issue to third parties in any form whatever is not permitted without written authority from the proprietor. Property of FCI. Copyright FCI.

PRODUCT NUMBER
51939-430--
NOTE: 3



RECOMMENDED PCB LAYOUT

mat'l code		SEE NOTE		tolerances unless otherwise specified		CUSTOMER		FCI	
ltr	ecn no.	dr	date	linear	0.X ±0.5	COPY		www.fciconnect.com	
A					0.XX ±0.25	projection		title	
				angles	0.XXX ±0.1			3ACP + 16S + 4P RIGHT ANGLE SOLDER HEADER	
				dr	0° ±2°	MIM		product family	PwrBlade
				engr	Warren Du 04/02/09	scale		size	code
				chr	Warren Du 04/02/09	1:1		dwg no	213
				appd	PM ZHENG 04/02/09			A	sheet
					JOSEPH HSIA 04/02/09				3 of 4
sheet index	revision sheet								

cage code 22526

Pro/E

Tous droits strictement reserves. Reproduction ou communication a des tiers interdite sous quelque forme que ce soit sans autorisation écrite du propriétaire. Propriete de c FCI. Droits de reproduction FCI.



All rights strictly reserved. Reproduction or issue to third parties in any form whatever is not permitted without written authority from the proprietor. Property of FCI. Copyright FCI.

PRODUCT NUMBER
51939-430__
NOTE: 3

NOTES:

1. DIMENSIONS AND TOLERANCES ARE IN ACCORDANCE WITH ASME Y14.5M, 1994 UNLESS OTHERWISE SPECIFIED.

CONNECTOR NOTES:

- 2. HOUSING MATERIAL: UL 94 V-0 GLASS FILLED HIGH-TEMP THERMOPLASTIC
POWER CONTACT MATERIAL: COPPER ALLOY
SIGNAL PIN MATERIAL: COPPER ALLOY
- 3. SEE ITEM 1 & 2 IN PRINT 10064183 FOR PLATING SPEC OF 51939-430 AND 51939-430LF RESPECTIVELY.
- 4. MANUFACTURER'S NAME, P/N, AND DATE CODE TO APPEAR ON THIS SURFACE.
- 5. PRODUCT SPECIFICATION GS-12-149.
APPLICATION SPECIFICATION BUS-20-067.
- 6. PACKAGED IN TRAYS.

PCB NOTES:

- 7. ALL HOLE DIAMETERS ARE FINISHED HOLE SIZE.
- 8. MOUNTING HOLES, WHERE APPLICABLE, ARE UNPLATED.
- 9. $\varnothing 1.151 \pm 0.025$ DRILLED HOLES PLATED WITH
0.008 MIN SnPb OR Sn OVER 0.03
TO 0.08 Cu PLATING TO ACHIEVE
 $\varnothing 1.02 \pm .07$ HOLE.
- 10. "DIM XXX" TO BE DETERMINED BY THE CUSTOMER.
- 11. CONNECTOR KEEP-OUT ZONE.

mat'l code				SEE NOTE		tolerances unless otherwise specified		CUSTOMER		FCI	
ltr	ecn no.	dr	date	linear		0.X ± 0.5	COPY		www.fciconnect.com		
A						0.XX ± 0.25	projection		title		
				angles		0.XXX ± 0.1			3ACP + 16S + 4P RIGHT ANGLE SOLDER HEADER		
				dr	Warren Du	04/02/09	MIM		product family		code
				engr	Warren Du	04/02/09			PwrBlade		213
				chr	PM ZHENG	04/02/09	scale		size		sheet
				appd	JOSEPH HSIA	04/02/09	1:1		A		4 of 4
sheet index		revision sheet									

cage code 22526

Pro/E