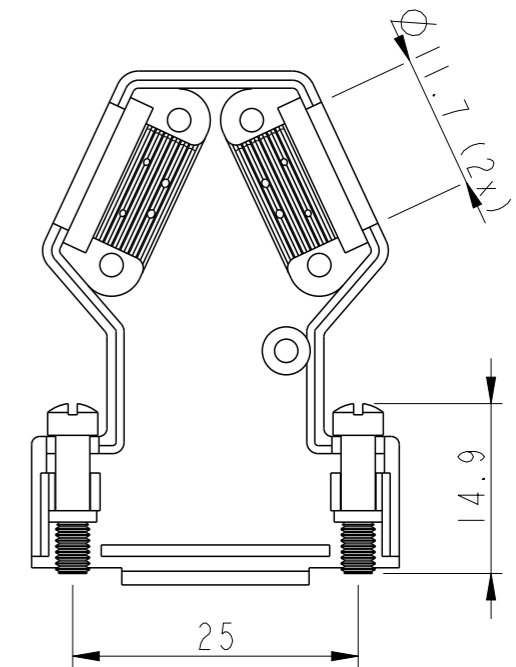
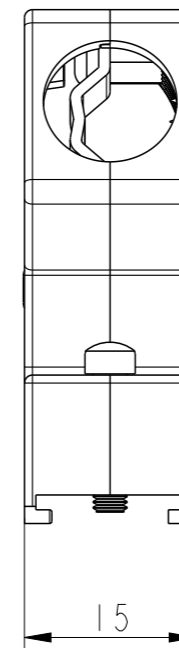
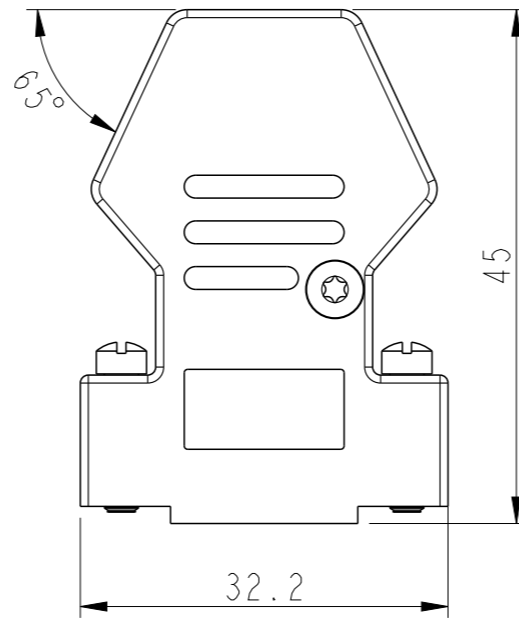
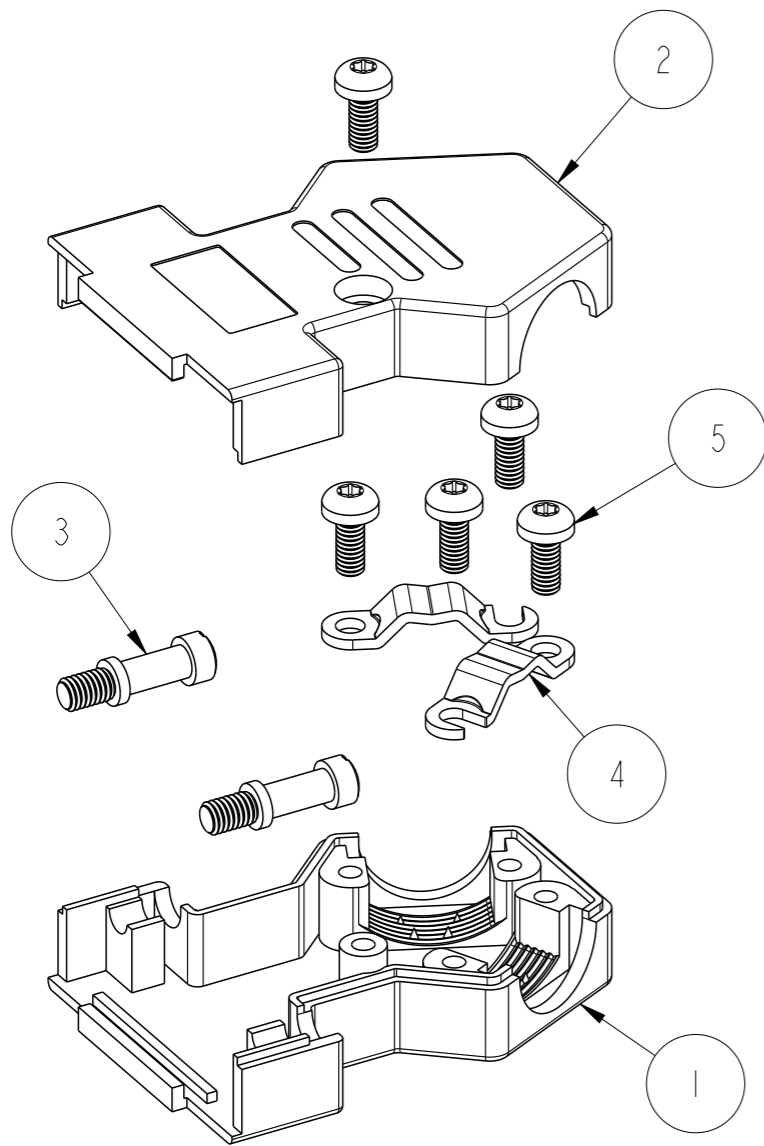


PART NUMBER	PACK	HOOD SIZE
8655HMEDIA10KLF	KIT	09



NOTES: (FOR EVERY SIZES)
 1- OPERATING TEMPERATURE: -40°C TO +120°C
 2- INDIVIDUAL KITS SEALED IN PLASTIC COVER IN UNASSEMBLED FORM.
 BOM AS SHOWN IN TABLE

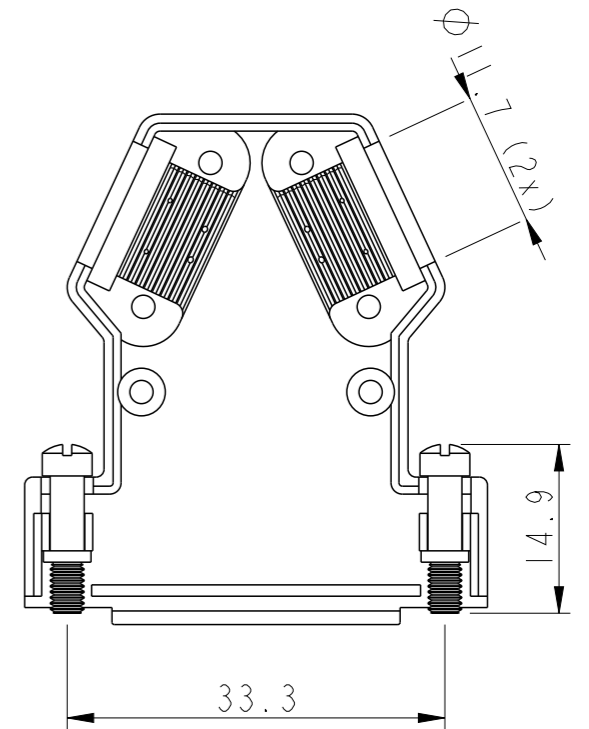
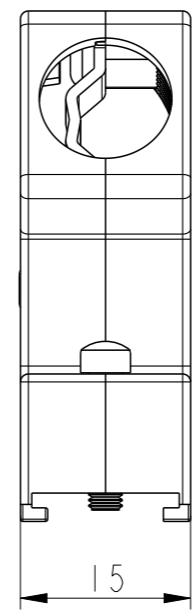
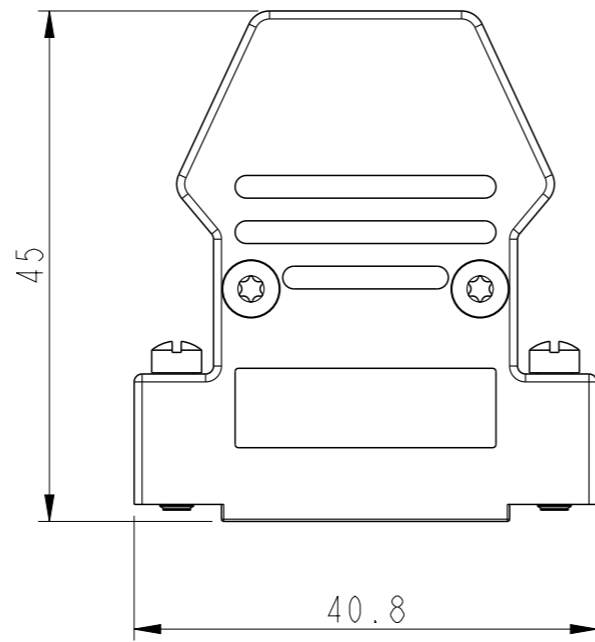
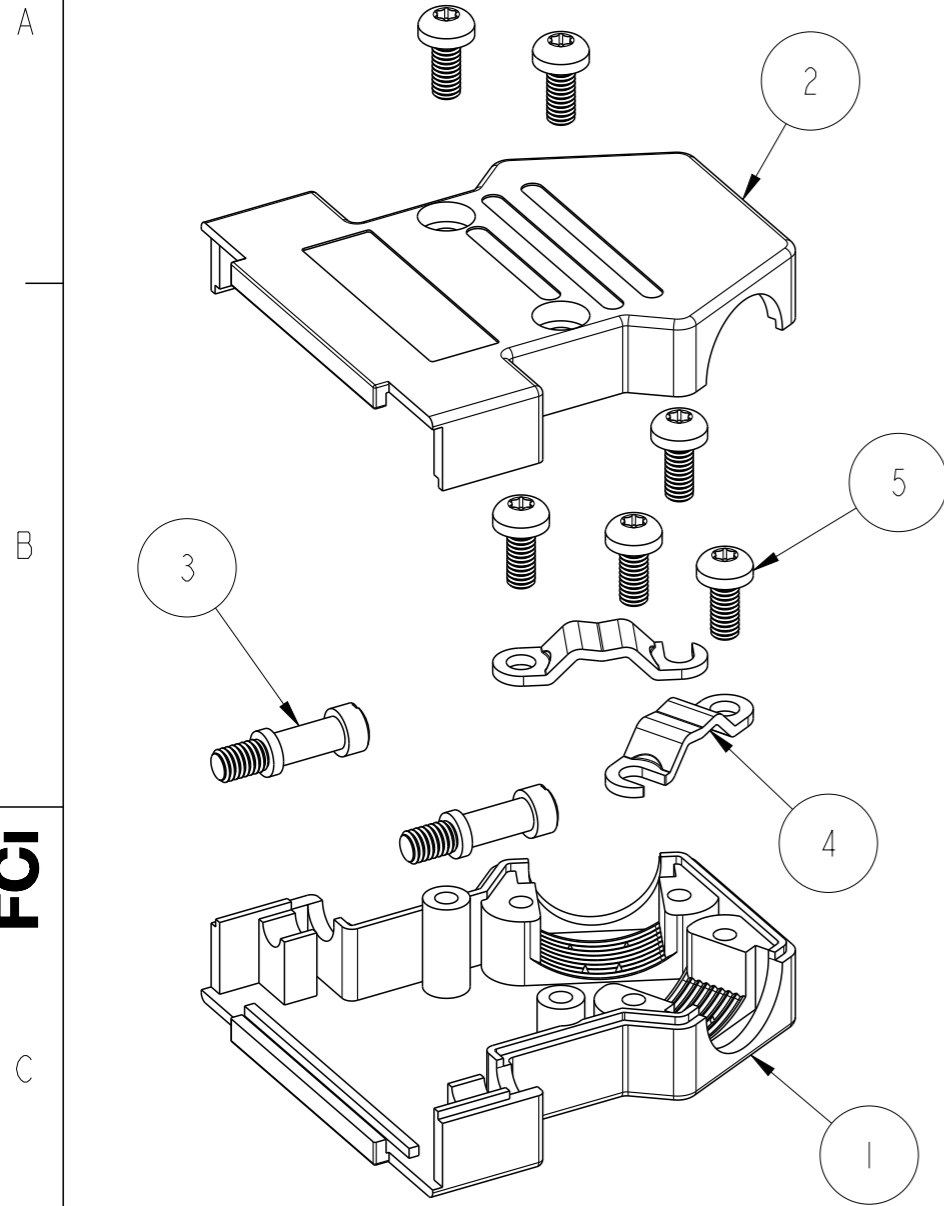
RoHS INFORMATION:
 - THE LF PRODUCT MEETS EUROPEAN UNION DIRECTIVES AND OTHER COUNTRY REGULATIONS AS DESCRIBED IN GS+22-009
 - THE PRODUCT IS NOT INTENDED TO BE EXPOSED TO A MANUFACTURING SOLDER PROCESS

ITEM NO.	QTY.	PART DESCRIPTION
1	1	DYZK09 LOWER
2	1	DYZK09 UPPER
3	2	JCKSRCEW UNC 4-40
4	2	CABLE CLAMP
5	5	TORX SCREW

spec ref	-	dr	Dipu Joseph	2020/09/21	projection	mm	size	A3	scale	151:100	
tolerance std	ISO 406 ISO 1101	eng	Detouillon, Da	2020/11/17			ecn no	-	rel level	Released	
TOLERANCES UNLESS OTHERWISE SPECIFIED		chr	-	-			product family	-	rel level	Released	
surface	linear	appr	Wollin, Severi	2020/11/13			title	DSUB METAL HOOD TWO SIDE EXIT		rev	A
ISO 1302	angular	0°	±2°	0.X ±0.3	0.XX ±0.10	0.XXX ±0.005	dwg no	8655HMxx1A10KLF		cat. no.	-
Product - Customer Drw							sheet 1 of 3				

© 2016 AFCI Amphenol FCI

PART NUMBER	PACK	HOOD SIZE
8655HMADIA10KLF	KIT	15



Amphenol
FCi

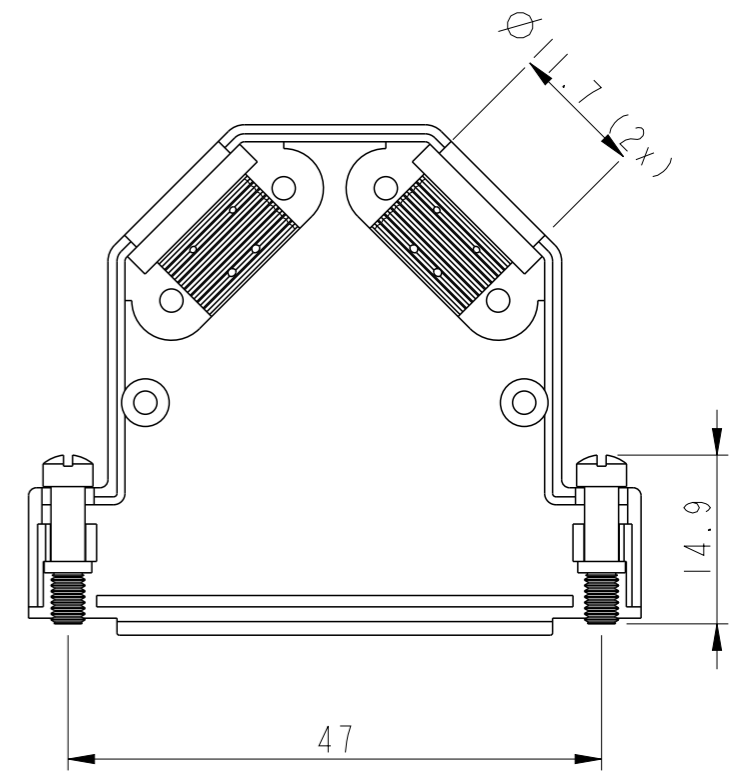
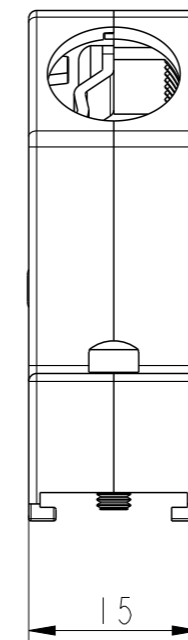
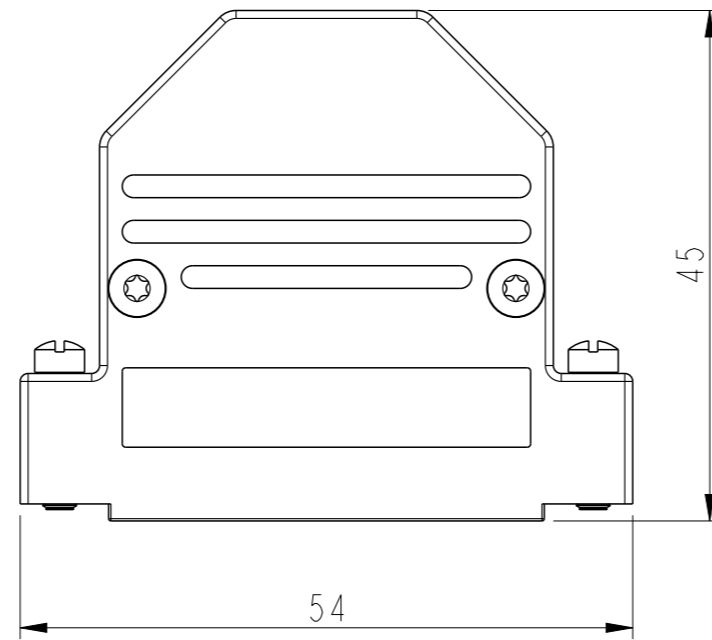
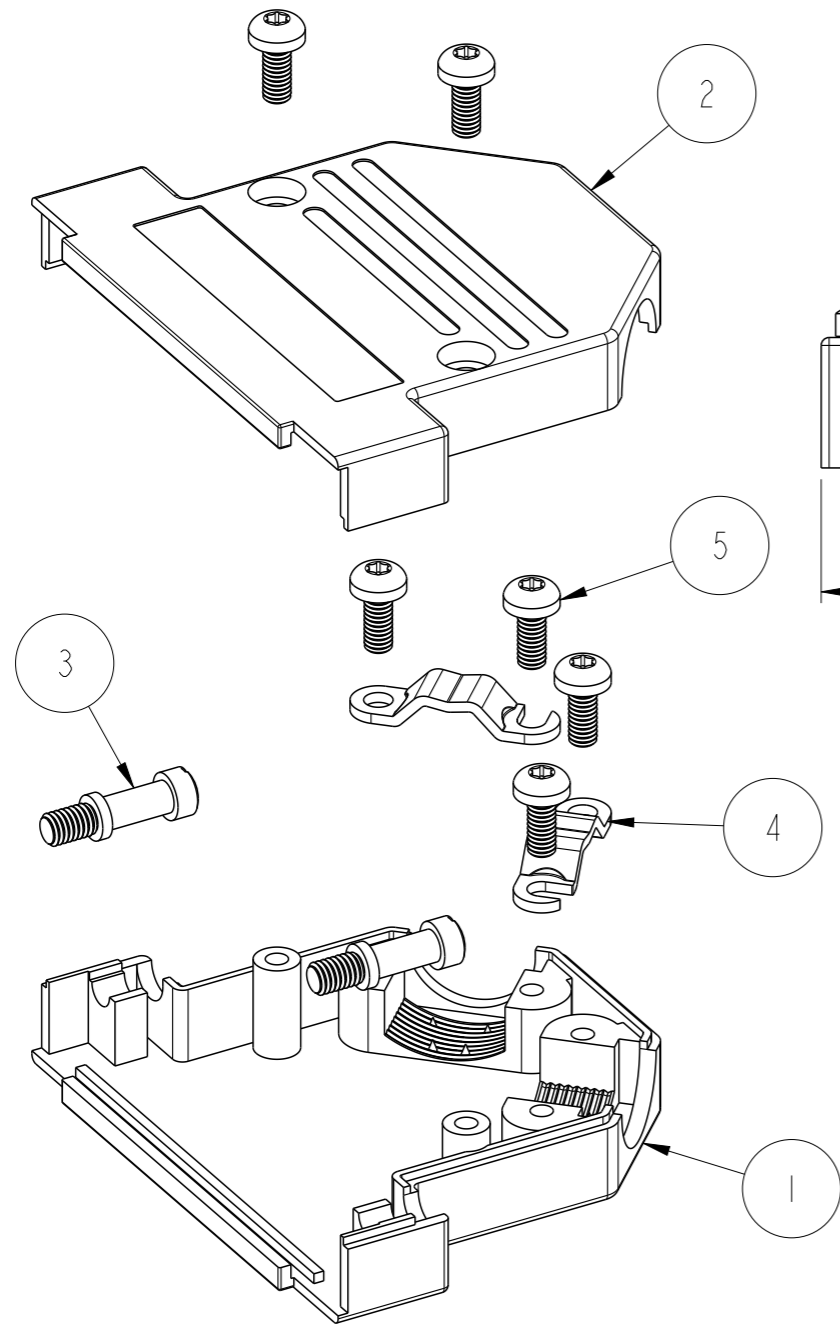
© 2016 AFCI

ITEM NO.	QTY.	PART DESCRIPTION
1	1	DYZKI5 LOWER
2	1	DYZKI5 UPPER
3	2	JCKSRCEW UNC 4-40
4	2	CABLE CLAMP
5	6	TORX SCREW

spec ref	-	dr	Dipu Joseph	2020/09/21
tolerance std	ISO 406 ISO 1101	eng	Detouillon, Da	2020/11/17
	TOLERANCES UNLESS OTHERWISE SPECIFIED	chr	-	-
		appr	Wollin, Severi	2020/11/13
surface	linear	0.X	±0.3	Amphenol FCi
		0.XX	±0.10	
		0.XXX	±0.005	
	angular	0°	±2°	

projection	mm	size	A3	scale	151:100
product family	-	rel level	Released		
title	DSUB METAL HOOD TWO SIDE EXIT		dwg no	8655HMxx1A10KLF	rev
cat. no.	-	Product - Customer Drw	sheet 2 of 3		

PART NUMBER	PACK	HOOD SIZE
8655HMBDIA10KLF	KIT	25



Amphenol
FCi

© 2016 AFCI

ITEM NO.	QTY.	PART DESCRIPTION
1	1	DYZK25 LOWER
2	1	DYZK25 UPPER
3	2	JCKSRCEW UNC 4-40
4	2	CABLE CLAMP
5	6	TORX SCREW

spec ref	-	dr	Dipu Joseph	2020/09/21
tolerance std	ISO 406 ISO 1101	eng	Detouillon, Da	2020/11/17
	TOLERANCES UNLESS OTHERWISE SPECIFIED	chr	-	-
		appr	Wollin, Severi	2020/11/13
surface	linear	0.X	±0.3	
		0.XX	±0.10	
		0.XXX	±0.005	
	angular	0°	±2°	

projection	mm	size	A3	scale	1:1
product family	-	ecn no	-	rel level	Released
Amphenol FCi	title	DSUB METAL HOOD TWO SIDE EXIT		dwg no	8655HMxx1A10KLF
cat. no.	-	Product - Customer Drw	rev	A	
Product - Customer Drw			sheet 3 of 3		