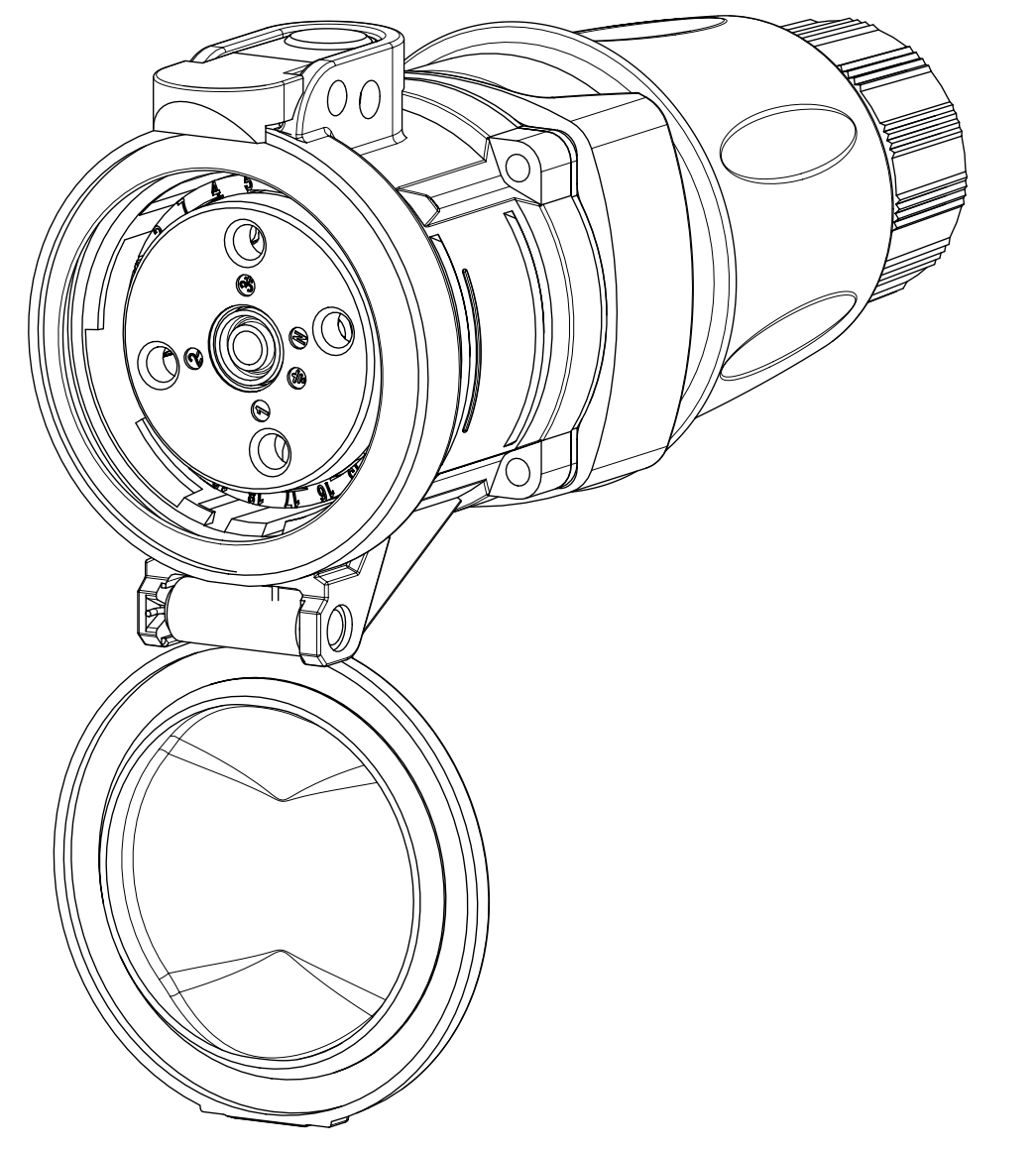
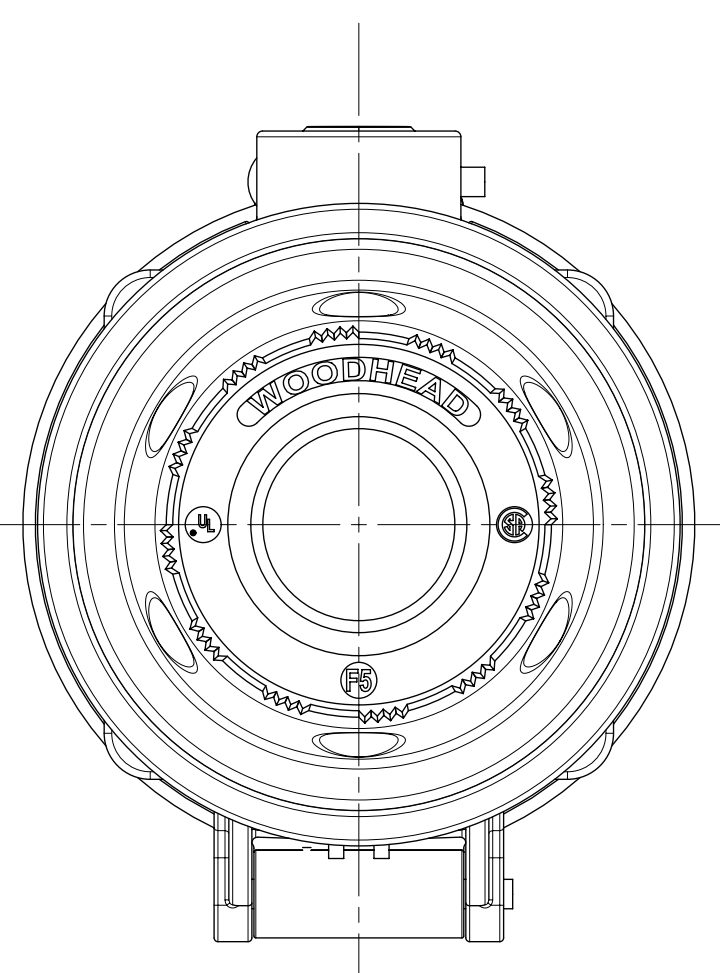
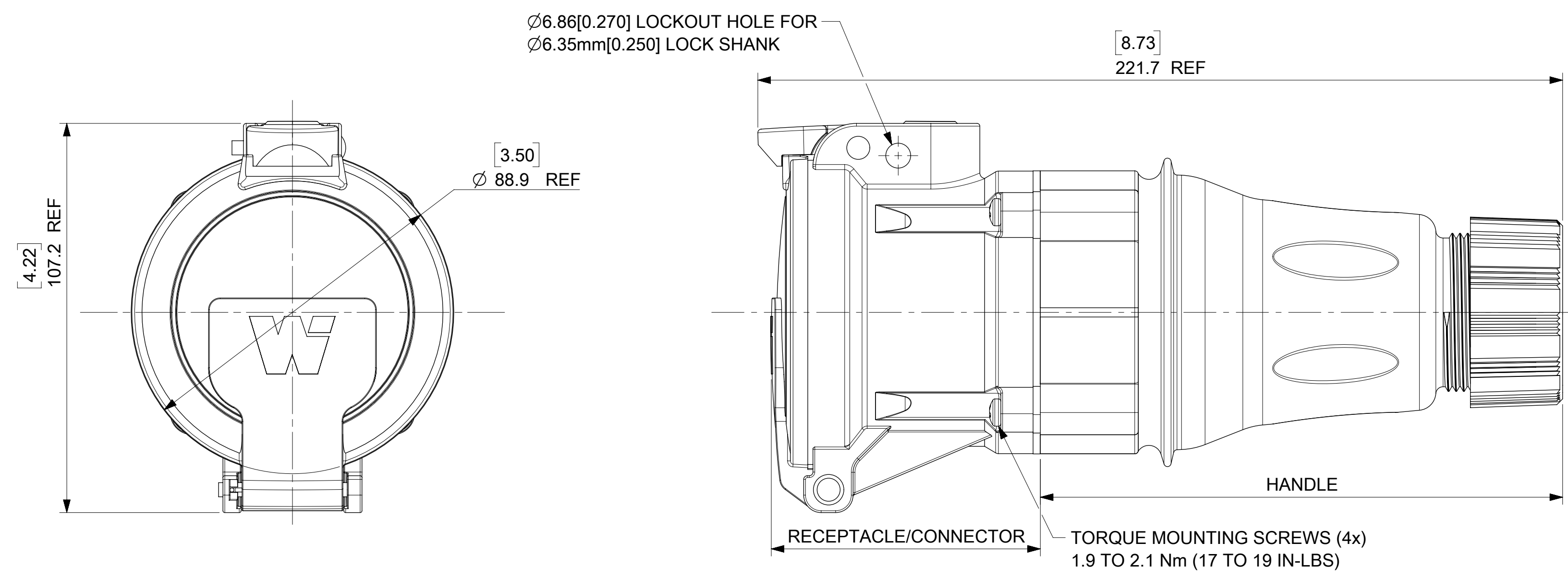
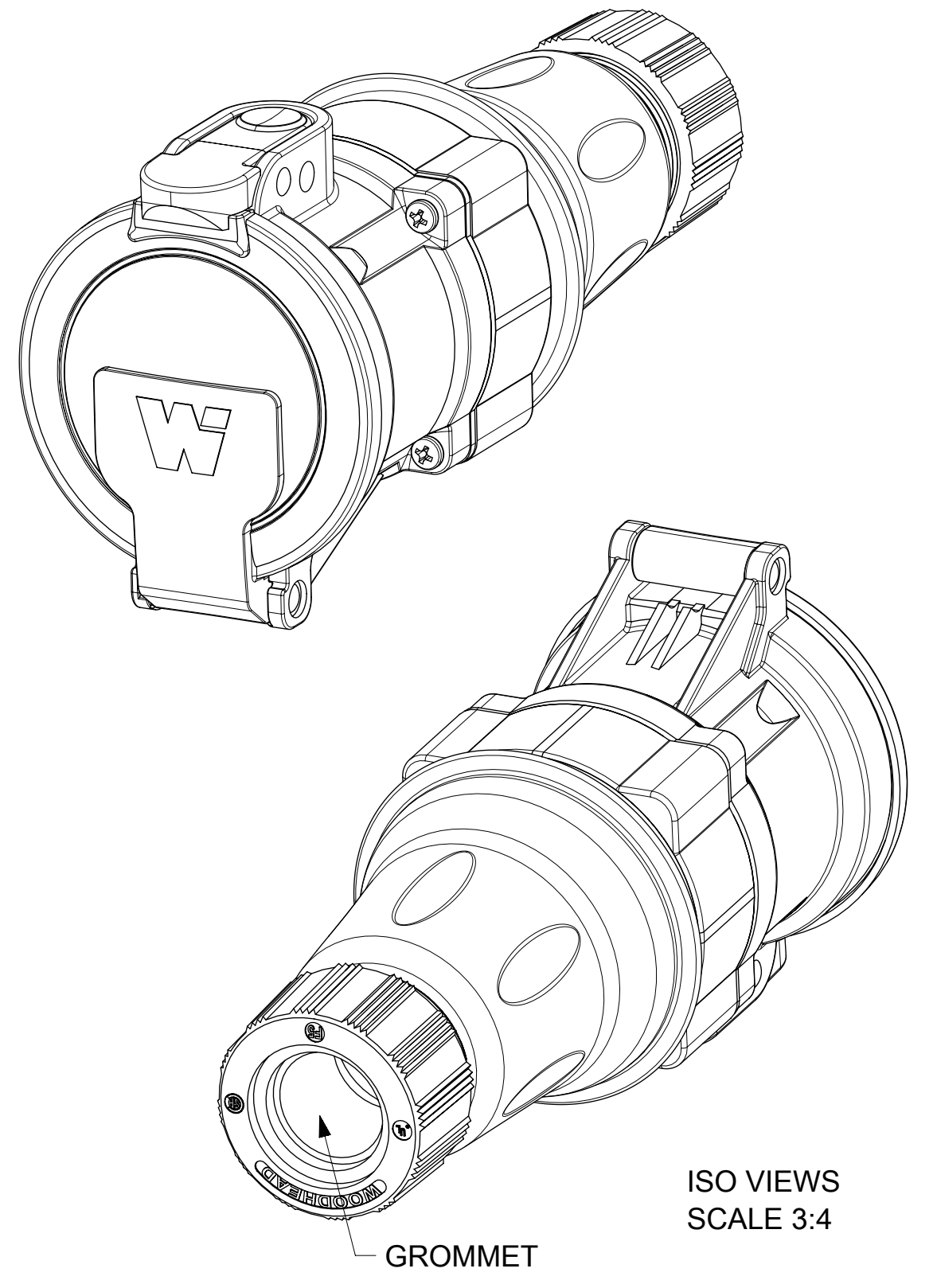
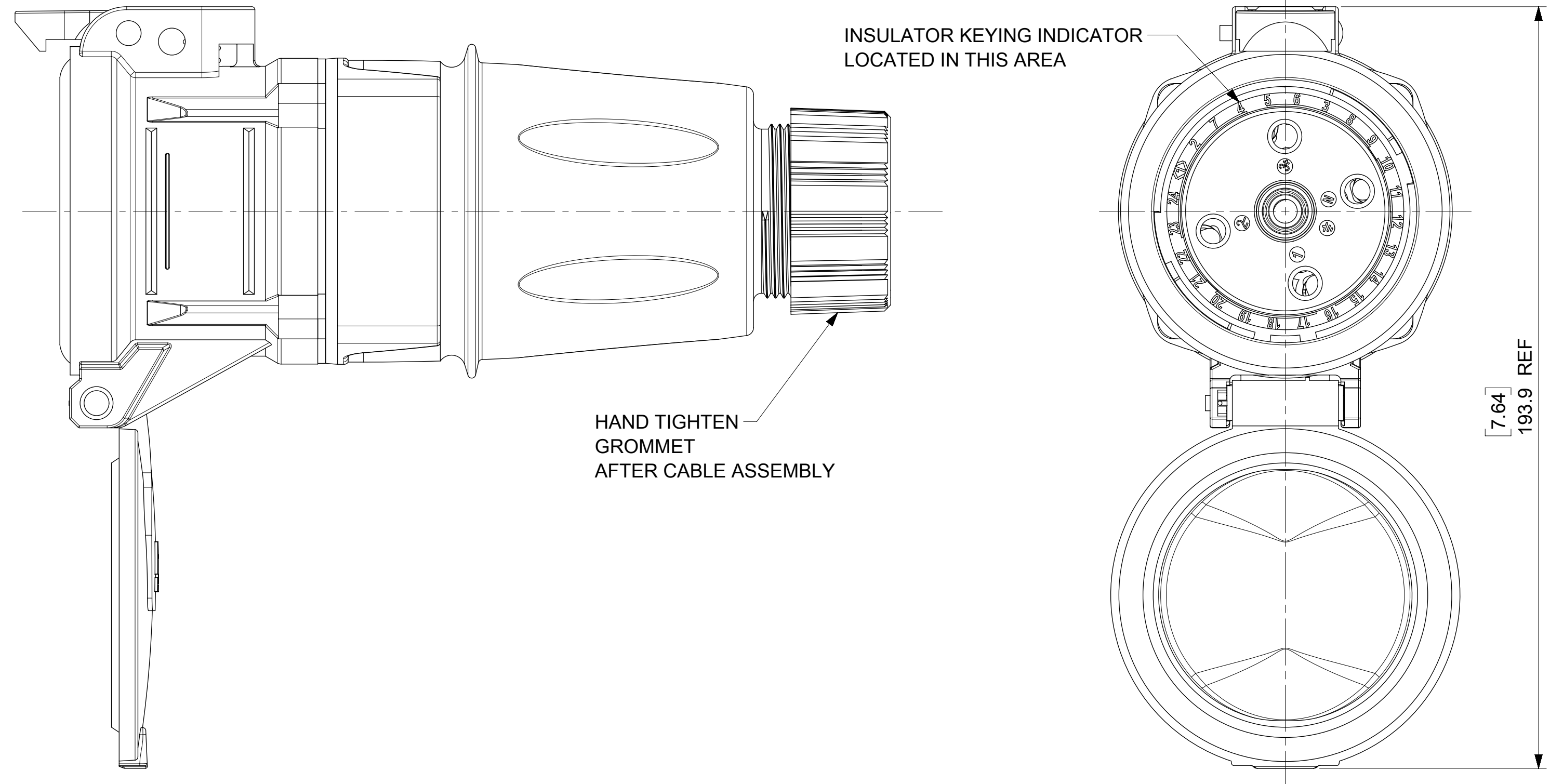


MATERIAL NUMBER	ENGINEERING NUMBER	DESCRIPTION	INSULATOR KEYING POSITION	HORSEPOWER RATING
1122170029	ARC60FHA01	ARC 60A FH 125VAC 1P+N+G	7	2 HP
1122170030	ARC60FHB02	ARC 60A FH 250VAC 2P+G		3 HP
1122170031	ARC60FHB03	ARC 60A FH 250VAC 3P+G		7.5 HP
1122170032	ARC60FHAB04	ARC 60A FH 125/250VAC 2P+N+G	16	NA
1122170033	ARC60FHC02	ARC 60A FH 208VAC 2P+G		NA
1122170034	ARC60FHC03	ARC 60A FH 208VAC 3P+G		7.5 HP
1122170035	ARC60FHAC05	ARC 60A FH 120/208VAC 3P+N+G	4	NA
1122170036	ARC60FHD01	ARC 60A FH 277VAC 1P+N+G		NA
1122170037	ARC60FHE02	ARC 60A FH 480VAC 2P+G		NA
1122170038	ARC60FHE03	ARC 60A FH 480VAC 3P+G	14	20 HP
1122170039	ARC60FHDE05	ARC 60A FH 277/480VAC 3P+N+G		NA
1122170040	ARC60FHF02	ARC 60A FH 600VAC 2P+G		NA
1122170041	ARC60FHF03	ARC 60A FH 600VAC 3P+G		20 HP
1122170042	ARC60FHGF05	ARC 60A FH 347/600VAC 3P+N+G		NA



**NOTES:**

**MATERIALS:**  
HANDLE, HOUSINGS AND INSULATORS: GLASS FILLED PBT  
CONTACTS: COPPER ALLOY WITH A SILVER NICKEL TIP, SILVER PLATED  
MOUNTING AND INTERFACE GASKETS: SILICONE  
GROMMET - RUBBER  
FRICTION RING - NATURAL POLYETHYLENE  
COMPRESSION NUT - BLACK PBT  
SELF TAPPING SCREWS - STAINLESS STEEL

**RATINGS:**  
CURRENT: 60 AMPS  
VOLTAGE AND HORSEPOWER: SEE TABLE  
AMBIENT OPERATING TEMPERATURE: -25°C (-13°F) TO 60°C (140°F)  
(WITH MAX. 30°C RISE ABOVE AMBIENT)  
ENVIRONMENTAL: NEMA TYPE 4X & IP69K  
WIRING CAPACITY: 10 AWG MIN. TO 4 AWG MAX.  
TORQUE TERMINAL SCREWS TO 1.7 Nm (15 in-lbs)  
AGENCY: UL LISTING PENDING  
SWITCH RATED RECEPTACLE/CONNECTOR  
BRANCH CIRCUIT DISCONNECT SWITCH  
MOTOR CIRCUIT DISCONNECT SWITCH IF HP RATED

RECEPTACLE/CONNECTOR AND HANDLE ARE PACKAGED SEPARATELY.  
END USER ASSEMBLY REQUIRED PER INSTRUCTIONS INCLUDED.

GROMMET P/N	GROMMET COLOR	CABLE DIAMETER RANGE
1301800308	ORANGE	19.05mm-22.25mm(.750"-.875")
1301800309	YELLOW	22.23mm-25.40mm(.875"-1.000")
1301800310	BLACK	25.40mm-28.57mm(1.000"-1.125")

THIS DRAWING CONTAINS INFORMATION THAT IS PROPRIETARY TO MOLEX ELECTRONIC TECHNOLOGIES, LLC AND SHOULD NOT BE USED WITHOUT WRITTEN PERMISSION

DIMENSION UNITS	SCALE	CURRENT REV DESC: GENERAL MARKET RELEASE	
MM/INCH	1:1		
GENERAL TOLERANCES (UNLESS SPECIFIED)			
	MM	INCH	
4 PLACES	±	±	
3 PLACES	±	± 0.01	
2 PLACES	±	0.25 ± 0.02	
1 PLACE	±	0.5 ± 0.04	
0 PLACES	±	1.0 ±	
ANGULAR TOL	±	3.0 °	
DRAFT WHERE APPLICABLE MUST REMAIN WITHIN DIMENSIONS	THIRD ANGLE PROJECTION	DRAWING	SHEET NUMBER
		D-SIZE	112217
MATERIAL NUMBER		CUSTOMER	SHEET NUMBER
1122170038		GENERAL MARKET	1 OF 1

**molex**

60A ARC ARREST CONN KIT HANDLE W/O DPLAT

PRODUCT CUSTOMER DRAWING

DOCUMENT NUMBER: 1122170038  
DOC TYPE: PSD  
DOC PART: 000  
REVISION: A2