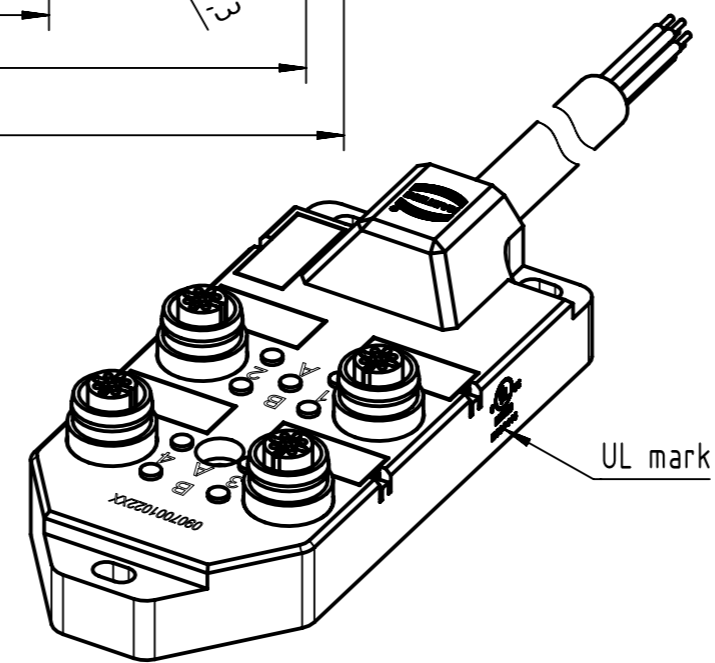
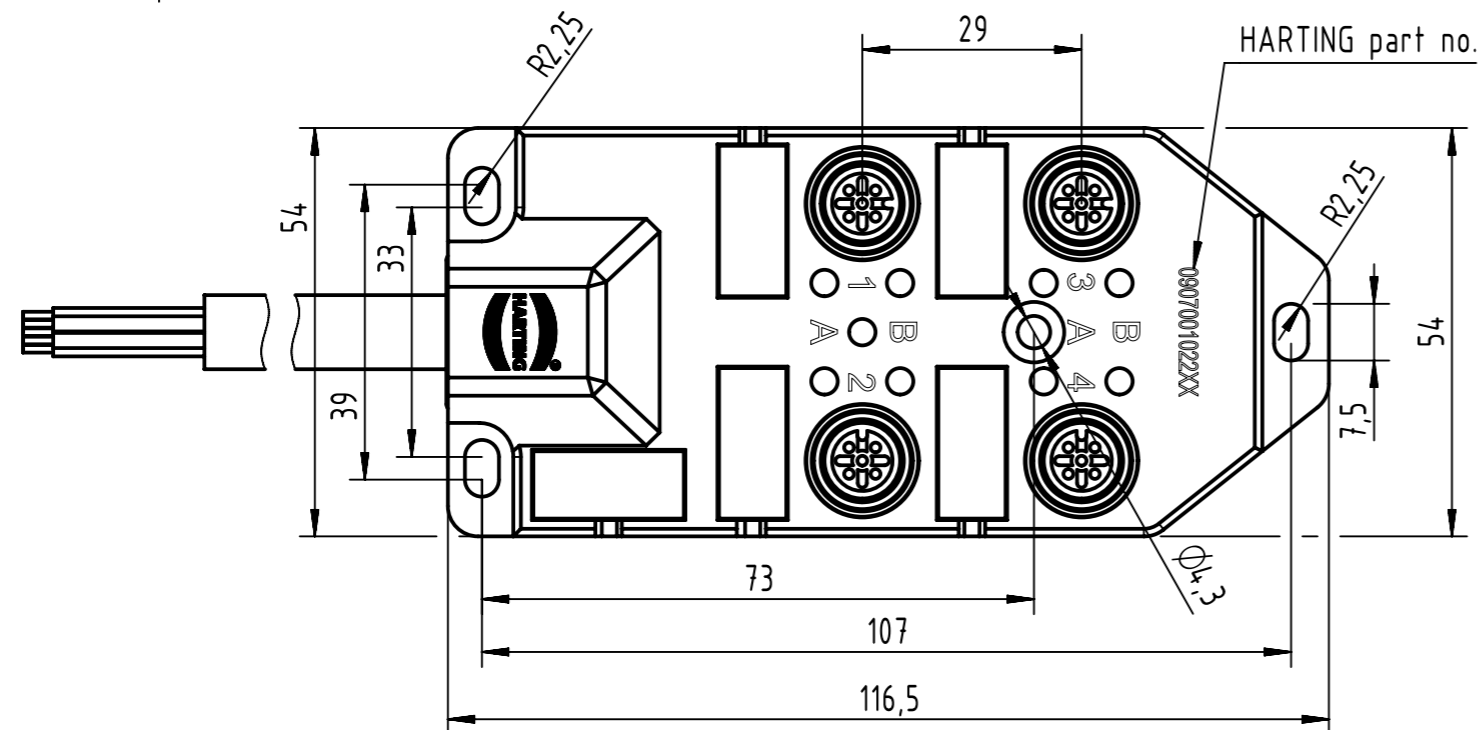
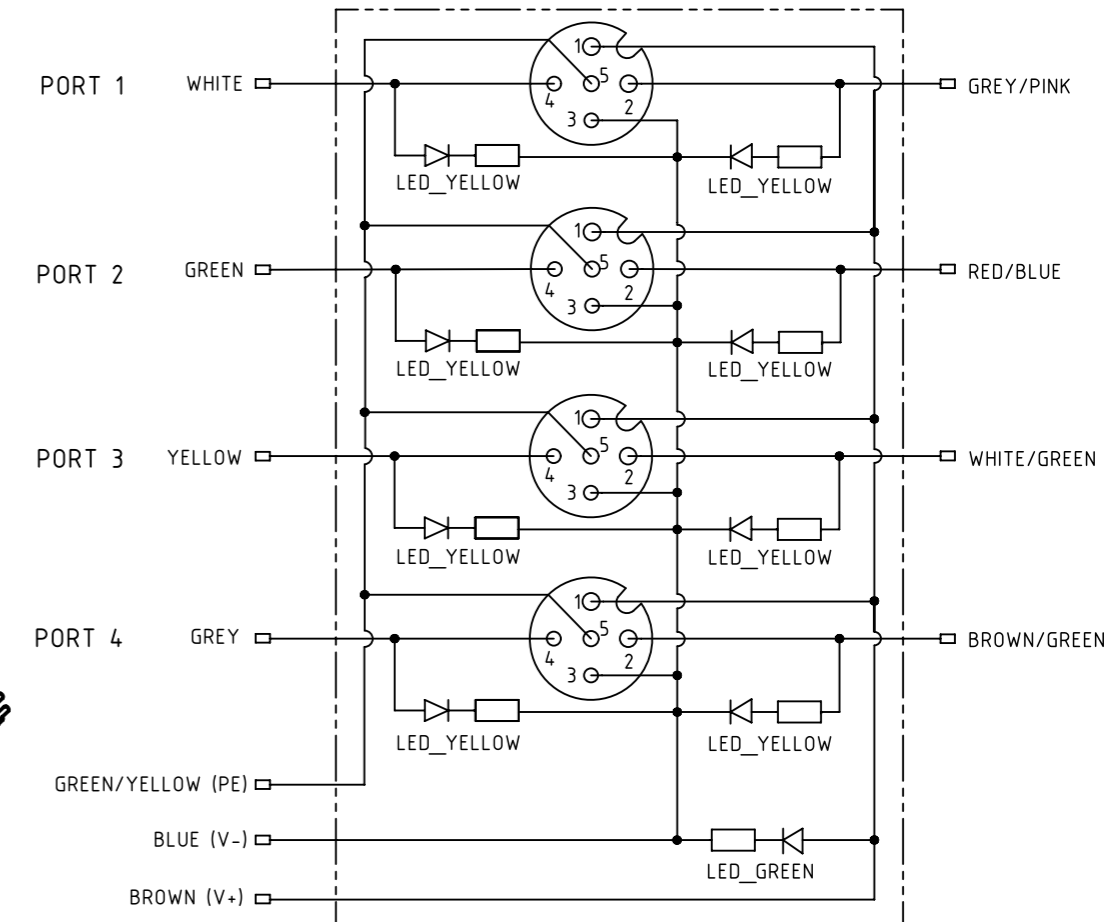


Loading plan



- Protection level: IP67
 - Temperature range: -30°C ... +80°C

6	090700102250	PVC, 3xAWG18 + 8xAWG22, black	10
5	090700102251		5
4	090700102253		2
3	090700102200	PUR, 3xAWG18 + 8xAWG22, black	10
2	090700102201		5
1	090700102203		2
Cont. no	HARTING part no.	Type of cable	Dim. a[m]

	All rights reserved Department HCS - RO	Tech. Character.		Free size tol.		According to production drawing	
		Created by 405181 Hadar	Inspected by COSTEA Costea	Standardisation MUNTEANV Muntean	Date 2021-03-26	State Final Release	
Title har-SAB M12/4/5p PAC						Doc-Key / ECM-Nr. 100689641/UGD/000/G 500000191951	
HARTING Customised Solutions D-32339 Espelkamp		Type TB	Number 0907001022XX			Rev. G	Page 1/1