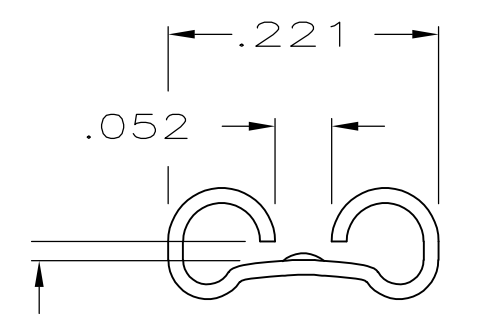
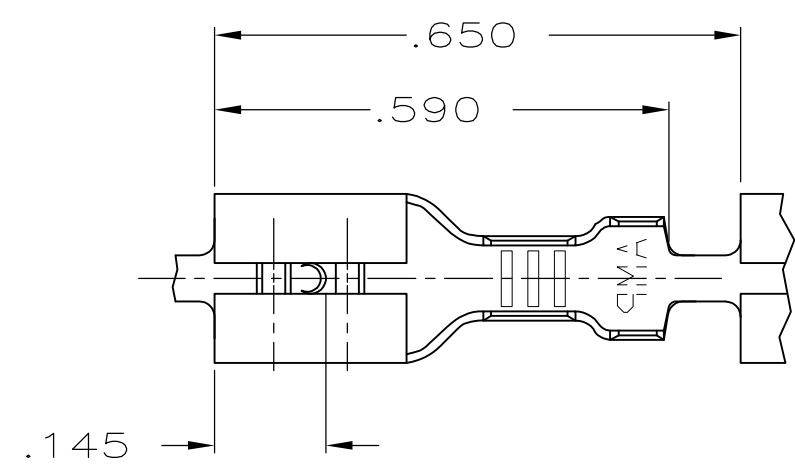


THIS DRAWING IS UNPUBLISHED. RELEASED FOR PUBLICATION
 © COPYRIGHT - By - ALL RIGHTS RESERVED.

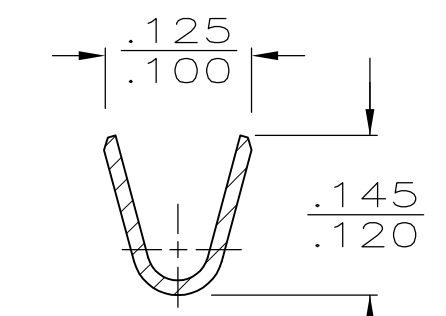
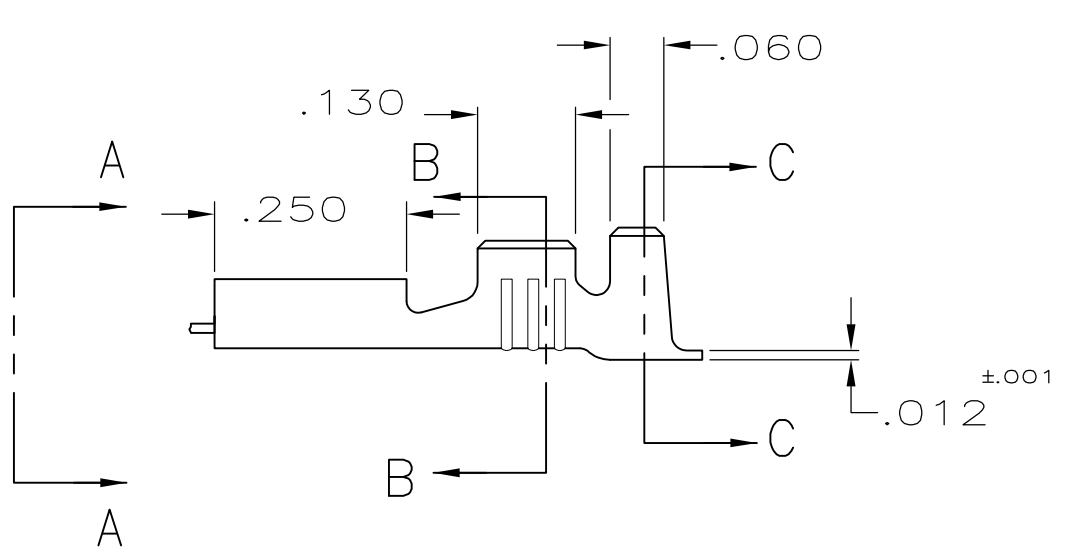
LOC	DIST	REVISIONS					
AF	50	P	LTR	DESCRIPTION	DATE	DWN	APVD
			AD	REVISED PER ECR-12-013445	18OCT12	KH	PD



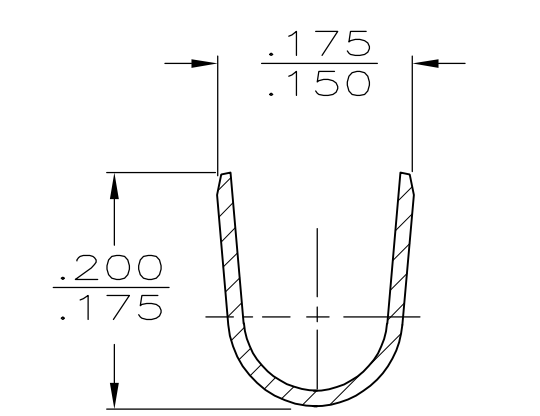
— FITS .187 SERIES FASTON TAB

VIEW A-A

1 CONTINUOUS STRIP ON REELS.



SECTION B-B



SECTION C-C

OBSOLETE	SILVER	#4H PH BRZ	.090-.130	20-16	.015 ±.001	42453-3
	TIN	BRASS	.090-.130	20-16	.015 ±.001	42453-2
OBSOLETE	—	#4H BRASS	.090-.130	20-16	.015 ±.001	42453-1
	FINISH	MATERIAL	INSULATION RANGE	WIRE SIZE	TAB THK.	PART NUMBER

THIS DRAWING IS A CONTROLLED DOCUMENT.		DWN	JR RUTH	10/3/86	TE Connectivity	
DIMENSIONS: INCHES		CHK	G YETTER	10/3/86		
		APVD	R KUZO	10/27/96		
TOLERANCES UNLESS OTHERWISE SPECIFIED:		PRODUCT SPEC		NAME		
MATERIAL: SEE ABOVE		FINISH: SEE ABOVE		APPLICATION SPEC	RESTRICTED TO	—
		WEIGHT		—	SIZE	A3
		CUSTOMER DRAWING		—	CAGE CODE	00779
				—	DRAWING NO	C-42453
				—	SCALE	NTS
				—	SHEET	1 OF 1
				—	REV	AD