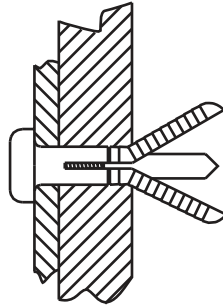


PANDUIT PART NUMBER	WEIGHT
NNA1-C	.44 LB/100 PCS (195 g/100 PCS)

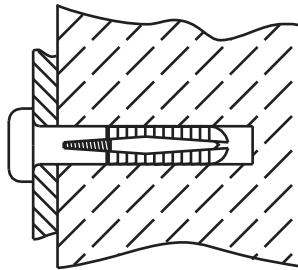
TYPE OF INSTALLATIONS



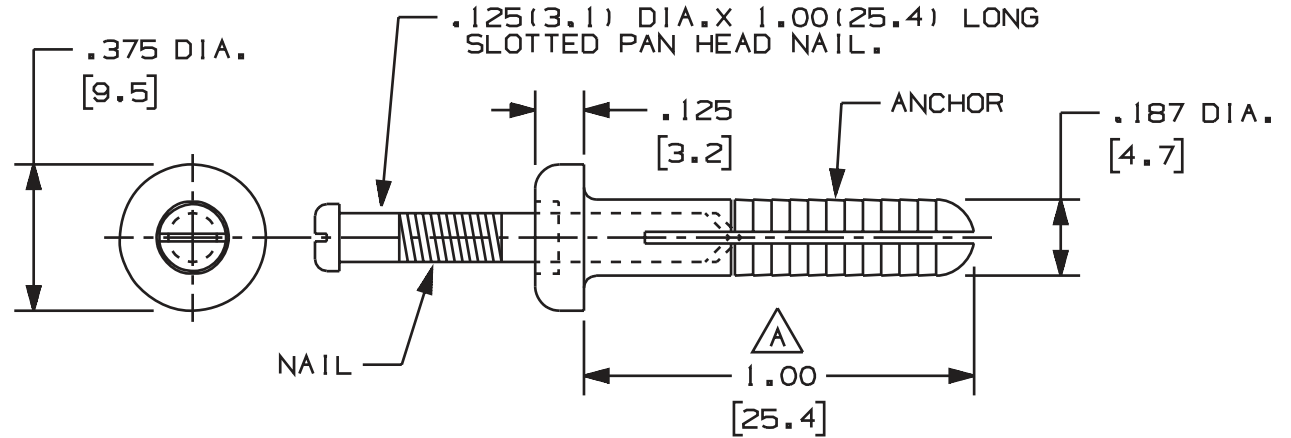
FULL SIZE



HOLLOW MATERIAL



SOLID MATERIAL



NOTES:

1. SEE CURRENT CATALOG FOR ADDITIONAL PART NUMBER SUFFIXES TO INDICATE COLOR AND OR PACKAGE QUANTITY.
2. RECOMMENDED HOLE SIZE .188(4.8) DIA. X 1.00(25.4) DEEP.
3. DIMENSIONS IN PARENTHESIS ARE IN METRIC.

CAD FILENAME/LAYERS D34518_NNA1-C_CO1 (D)

PANDUIT CORP. TINLEY PARK, ILLINOIS
 NYLON NAIL ANCHOR
 (NNA1-C)
 CUSTOMER DRAWING

UNLESS OTHERWISE SPECIFIED,
 DIMENSIONAL TOLERANCES ARE:
 (.X) ± (.XXX) ± .020(.51)
 (.XX) ± .040(1.01) ANGLES ±

UNLESS OTHERWISE SPECIFIED,
 ALL DIMENSIONS ARE GIVEN
 IN INCHES, THIRD ANGLE PROJECTION.

DRAWN BY CHAVEZ
 DATE 9/4/85
 CHK'D HVP

MAT'L: NYLON/STEEL

SCALE NONE
 DRAWING NO. SS-20027
 DRG SIZE A

REV	DATE	BY	CHK	DESCRIPTION	ECN	R	CUST	SUP
2	1-11-94	DW	CEF	B. REVISED TOLERANCE WAS .02(.5). REVISED AND REDRAWN ON CAD.	SS-20027		CEF	CEF
1	1/21/86	CEW	HVP	A. 1.00(25.4) WAS 1.00(9.5).	SS-20027		HVP	
R	9/4/85	JC	HVP	DRAWING RELEASED	SS-20027			