

7

6

5

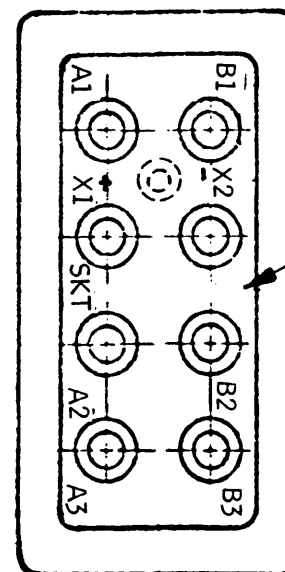
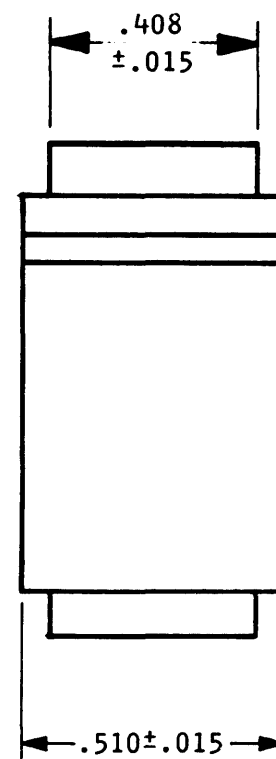
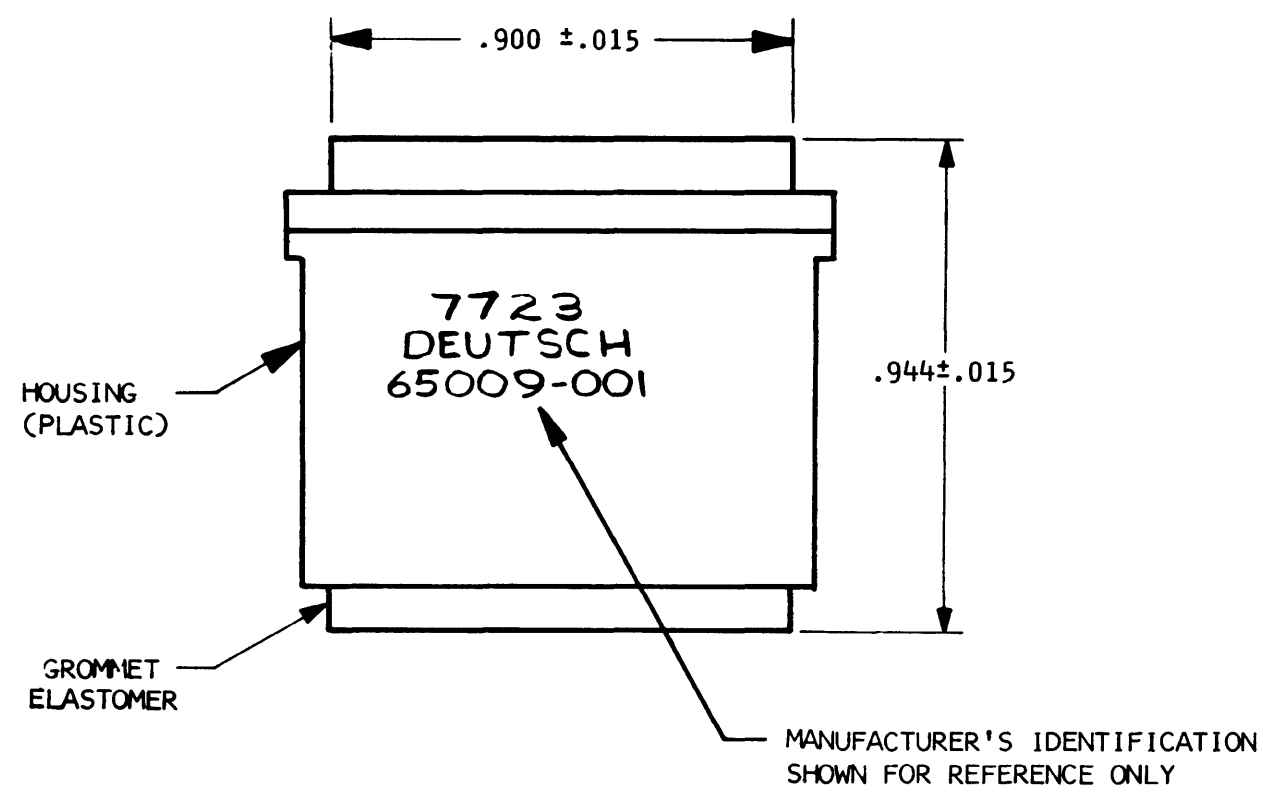
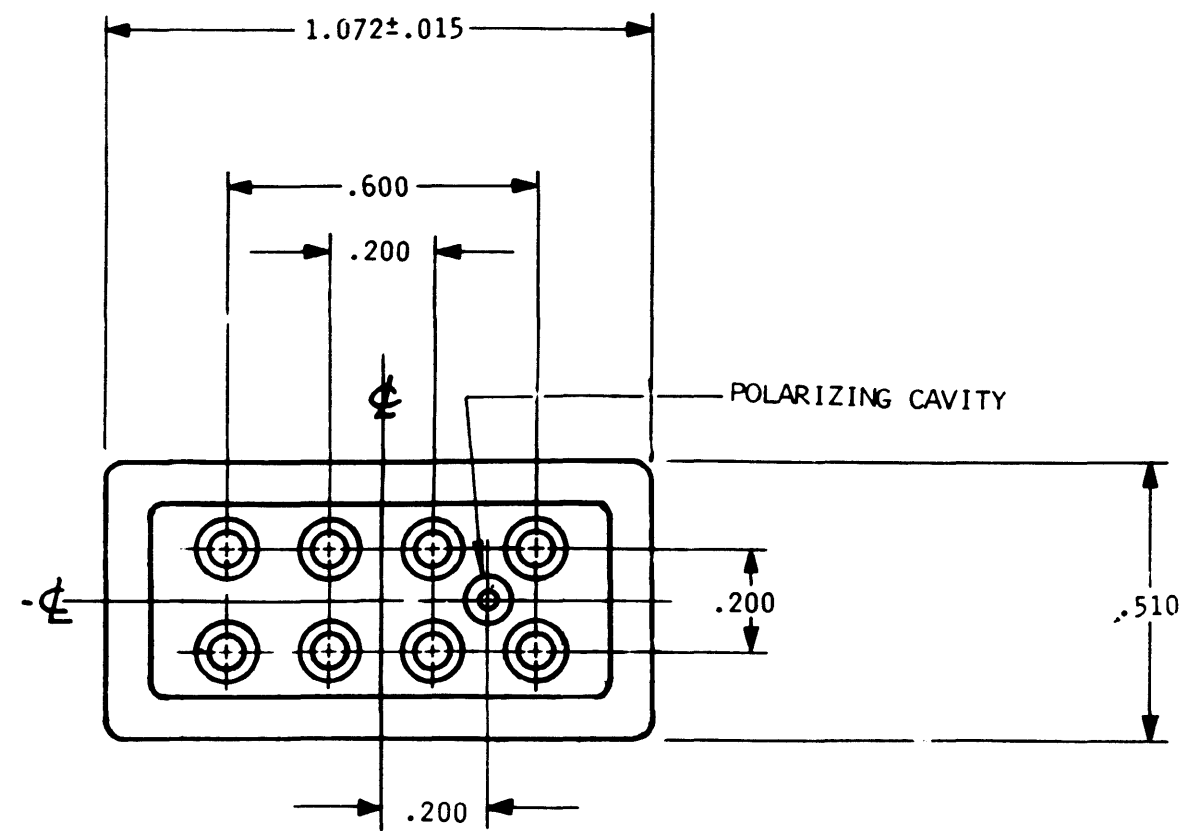
4 ↓

3

2

1

REVISIONS			
SYM	DESCRIPTION	DATE	APPROVED
A	REVISED PER E.O. 84082	8-2-77	JDM
B	REVISED PER E.O. 85298	2/22/78	JDM
C	REVISED PER E.O. 83361	7/18/78	



REV	MATL. CODE
C	65009-001

- MODULE TOOL PART NO. CTJ-R06.
- MODULE TO BE USED WITH H-RAIL, PART NO. 65008-0000.
- RELAY SOCKET PART NUMBER BREAKDOWN (REF.).

65009 - 00	CONTACT ARRANGEMENT DESIGNATOR
00	RELAY SOCKET SERIES IDENTIFIER
- SOCKET CONTACT PART NUMBER M39029/22-16-16 (SEE DRAWING 1625-1-0000).
 SEALING PLUG PART NUMBER M81511/39-16.
 CONTACT INSERTION/REMOVAL TOOL PART NUMBER M83723-31-16 (SEE DRAWING M15570-0000).

NOTE:

SIGNATURE & DATE	
DR	John Nott 6-23-77
CHK	Roni van Heerwagen 7-1-77
PE	J. MACDONALD 6-28-77
APPD	
SCALE	NONE
WT	

RELAY SOCKET ASSEMBLY,
2 POLE
COMMON TERMINATION SYSTEM

ENVELOPE

CP	MATL. CODE
	16
The Deutsch Company ELECTRONIC COMPONENTS DIVISION Municipal Airport Banning, California	
C	65009-001
DWG SIZE	CODE 11139 SHEET 1 OF 1