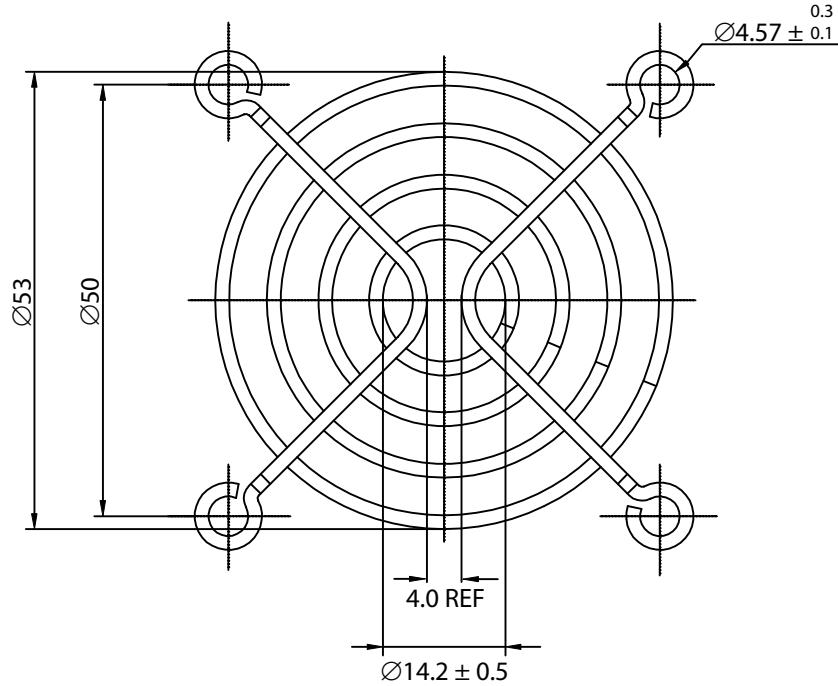


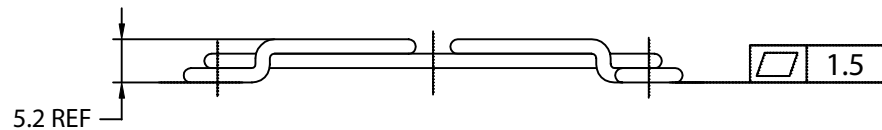
THESE DRAWINGS ARE THE PROPERTY OF QUALTEK ELECTRONICS AND NOT TO BE REPRODUCED FOR OR COMMUNICATED TO A THIRD PARTY WITHOUT THE EXPRESS WRITTEN PERMISSION OF AN OFFICER OF QUALTEK ELECTRONICS.

REVISION			
REV.	DESCRIPTION	DATE	APPROVED
B	RoHS Compliancy	06-01-06	DP



NOTES:

1. MATERIAL: C1008 BRIGHT BASIC WIRE
2. FINISH: BLACK E.D.
3. 0.35 ± 0.05 DEPTH OF SERRATIONS ON WIRE
4. RING: $\varnothing 1.6 \pm 0.1\text{mm}$
RIB: $\varnothing 1.6 \pm 0.1\text{mm}$
5. GENERAL TOLERANCE UNLESS NOTED IS $\pm 0.5\text{mm}$
6. RoHS COMPLIANT



CONTROLLED

Dim range (mm)		Tolerance +/- (mm)		Qualtek Electronics Corp. FAN-S DIVISION		
0-5	0.1	Part Number: 08147-02		RoHS Compliant		
5-16	0.15	Description: WIRE FORM FAN GUARD (60mm)		UNIT: mm		
16-64	0.2	Drawn / Date		Checked / Date		REV: B
64-250	0.4	B. ZHANG 12-05-04		12-05-04		Approved / Date
250-1000	0.5	1000-1500		12-05-04		JJH / 12-05-04