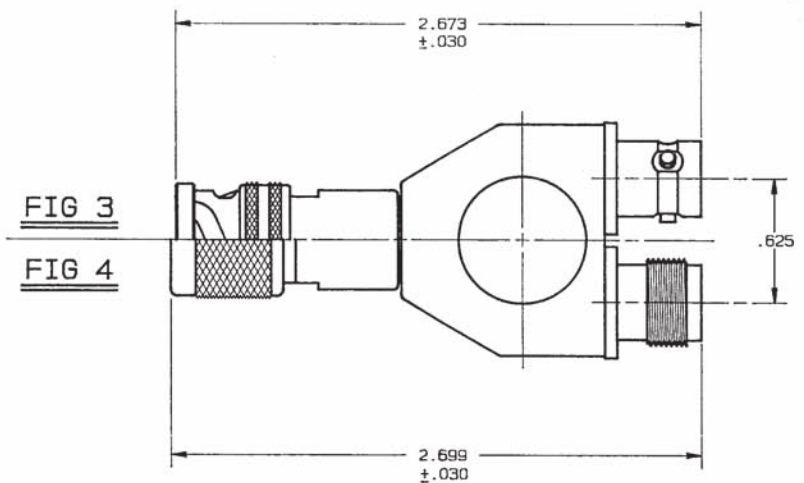
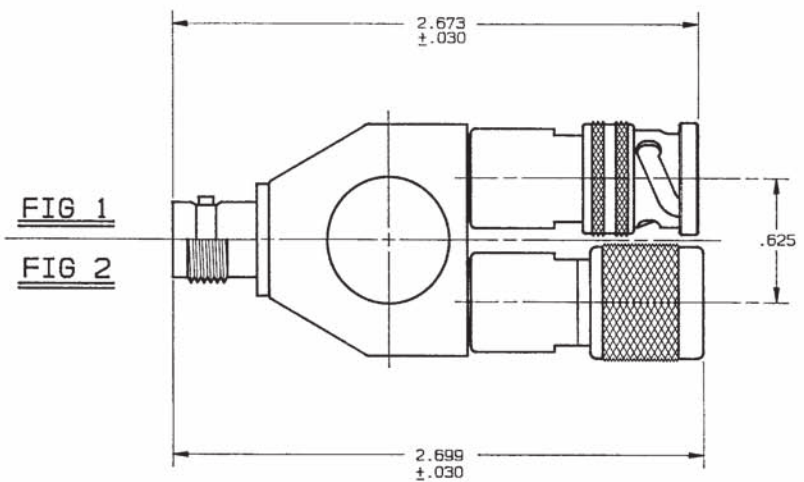
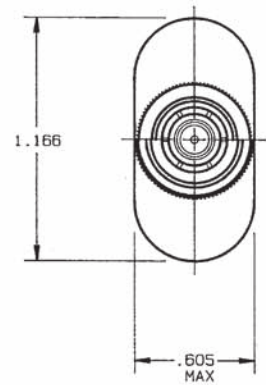
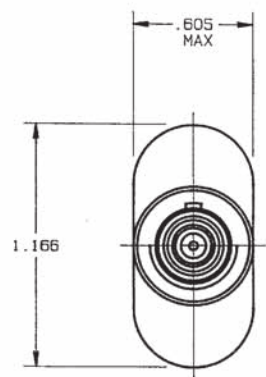
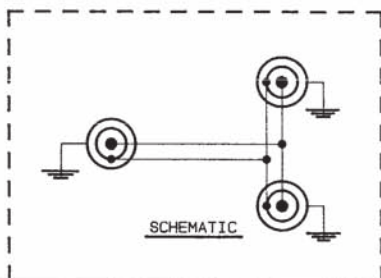


DASH NO	MODEL NO	CONN TYPE	FIG NO
-1	TN2	3-LUG	1
-2	TN2A		3
-3	TN2T	THREADED	2
-4	TN2TA		4
-5	TN2TL	2-LUG	1
-6	TN2TLA		3
-7	TN2FL	4-LUG	1
-8	TN2FLA		3

INCH	MM
.005	0.13
.030	0.76
.600	15.24
.625	15.88
1.166	29.62
2.673	67.89
2.699	68.55



3. FIXED PARALLEL NETWORKS. CONCENTRIC TWINAX / TRIAX 2, 3, 4-LUG & THREADED PLUG(S) & JACKS(S)
2. FINISH: NICKEL
1. ALL DIM ARE IN INCHES



QTY	DESCRIPTION	PART NUMBER	ITEM
TOL UNLESS SPECIFIED .XX ± .XXX ± .005 .XXXX ± ANGLES ±		TROMPETER ELECTRONICS, INC.	TN2/2A/2T/2TA/2TL/ 2TLA/2FL/2FLA
DWN	AAH 12-11-89		
CHK	QH 12/11/89	14949	DRAWING NO.
ENGR	AAH 12/11/89	1-0252	REV
APPR	AAH 12/11/89	L	
NEXT ASSY	SCALE 2/1	DATE 12-29-66	SHEET 1 OF 2