

# Lighting Controls

DATE: \_\_\_\_\_ LOCATION: \_\_\_\_\_

TYPE: \_\_\_\_\_ PROJECT: \_\_\_\_\_

CATALOG #: \_\_\_\_\_

## LightOWL® PIR AND ULTRASONIC WALL MOUNT SENSOR

CEILING AND WALL MOUNT OCCUPANCY SENSORS

### FEATURES

- IntelliDAPT® self-adaptive technology—no manual adjustment required
- All-digital dual technology passive infrared (PIR) and ultrasonic (US) sensor
- Non-volatile memory for sensor settings
- 1,600 square-foot coverage area
- Optional relay and photocell control
- Low voltage device: 24VDC
- 5 year warranty



### SPECIFICATIONS

#### CONSTRUCTION

- Casing - Rugged, high-impact, injection-molded plastic KJB ABS Cicolac (UL-945VA)
- Color-coded leads are 6" long (152.4mm)
- 5.0 oz. (142g)
- Off-white
- Red-Infrared motion
- Green-Ultrasonic detection
- Dual-element pyrometer and 12-element cylindrical rugged lens

#### MOUNTING

- Mounting base provided
- Recommended MAX mounting height: 12ft. (3.66m)

#### ELECTRICAL

- Operating frequency: 32kHz
- 24VDC, 33 mA (uses UVPP and MP-Series power pack—not included)
- 24VDC active high-logic control signal with short circuit protection and optional dry contact

#### OPERATIONS

- IntelliDAPT
  - Auto reset from test setting
  - Self-adjusting timer
  - Self-adjusting passive infrared and acoustic thresholds
  - Automatic false-ON/false-OFF corrections
- Coverage
  - 1,600 square feet (365.76 square meters)
- Timer Settings
  - Automatic mode: 8–30 minutes (self-adjusts based on occupancy)
  - Test mode: 8 seconds (for an easy check at installation)
- RP Option
  - Relay and photocell included
  - Relay: N/O + N/C contacts; SPDT; 500 mA rated @ 24VDC; three-wire isolated relay

- RP Option (Continued)

- Photocell: adjustable natural-light override ranges from 0 to 100 foot-candles (0–1,000 lux)
- Factory set at 3,000 lux (disable photocell)

#### OPERATING ENVIRONMENT

- Indoor use only
- Operating temperature: 32° to 104°F (0° to 40°C)
- Relative humidity (non-condensing): 0% to 95%

#### CERTIFICATIONS

- Listed UL and cUL
- This product qualifies as “designated country construction material” per FAR 52.225-11 Buy American-Construction Materials under Trade Agreements effective 5/27/2020.

#### WARRANTY

- 5 year warranty

### ORDERING GUIDE

Example: LODTRP-T

CATALOG #

LO	DT		
<b>Series</b>	<b>Technology</b>	<b>Relay/Photocell Option</b>	<b>TAA</b>
LO	DT	RP Relay Photocell Blank No Relay Photocell	Blank Standard Product T TAA

*Buy American Solutions
TAA FAR 52.225-11
LODTRP

# Lighting Controls

DATE: \_\_\_\_\_ LOCATION: \_\_\_\_\_

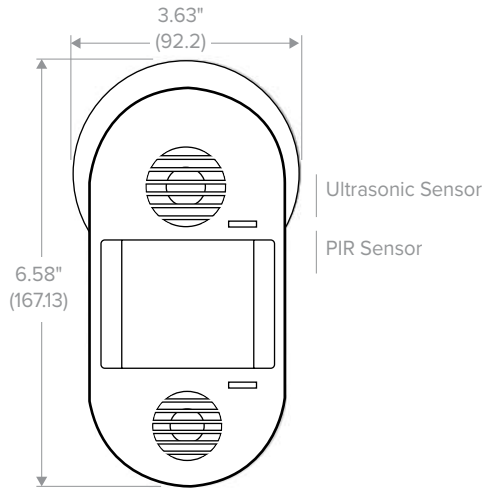
TYPE: \_\_\_\_\_ PROJECT: \_\_\_\_\_

CATALOG #: \_\_\_\_\_

## LightOWL® PIR AND ULTRASONIC WALL MOUNT SENSOR

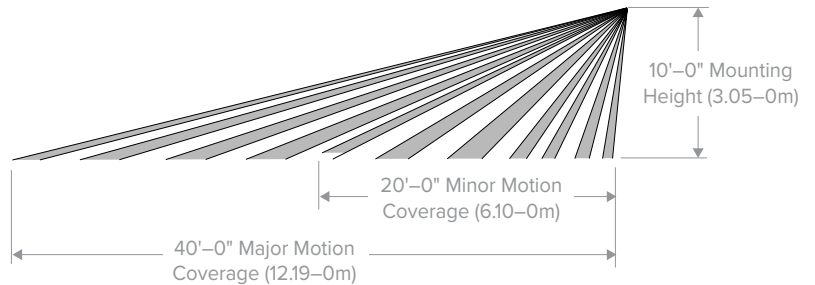
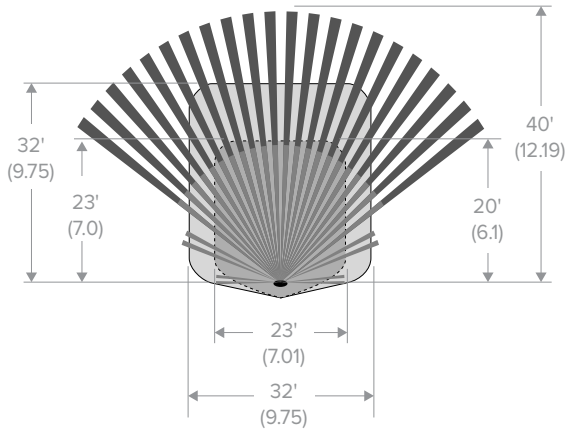
CEILING AND WALL MOUNT OCCUPANCY SENSORS

### DIMENSIONS



### ADDITIONAL INFORMATION

#### Coverage Patterns



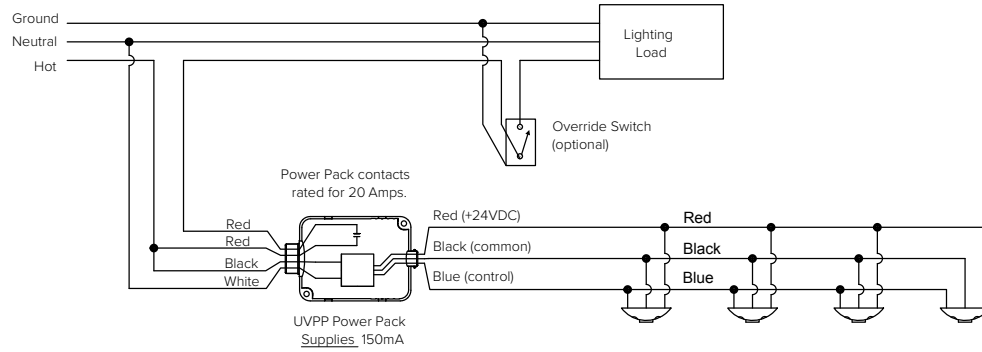
- US Minor Motion
- IR Minor Motion
- US Major Motion
- IR Major Motion

# Lighting Controls

## LightOWL® PIR AND ULTRASONIC WALL MOUNT SENSOR CEILING AND WALL MOUNT OCCUPANCY SENSORS

### ADDITIONAL INFORMATION

#### Wiring Diagrams

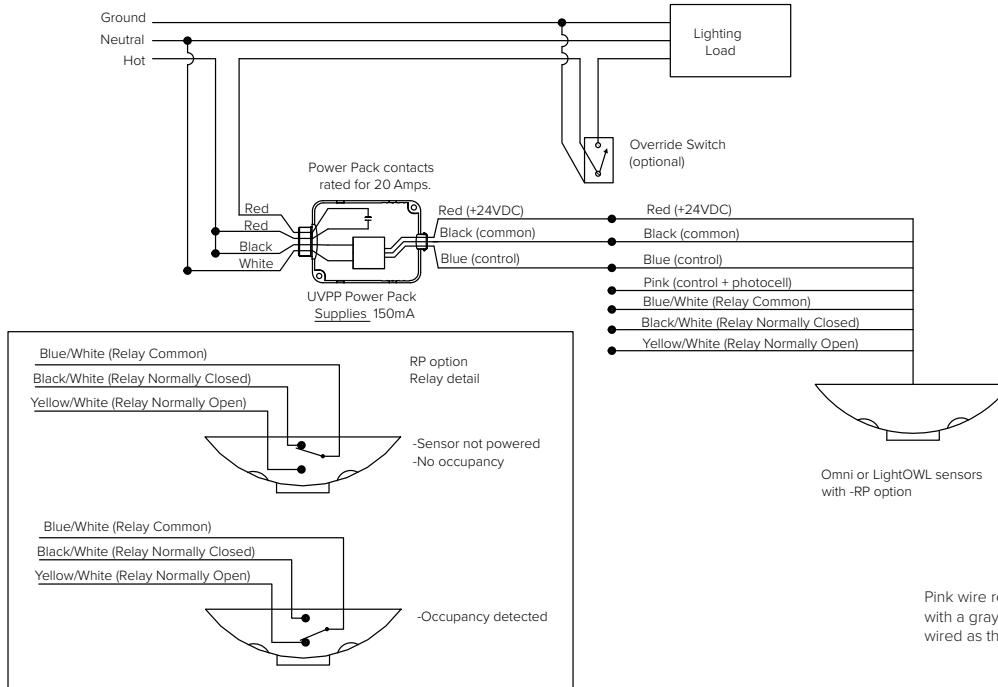


Low Voltage Sensors (devices)  
Requires 33mA each

NOTE:

- DO NOT attempt to power more than 4 devices, be it sensors or slave packs, from a single power pack.

#### 1 Circuit with up to 4 Sensors and UVPP



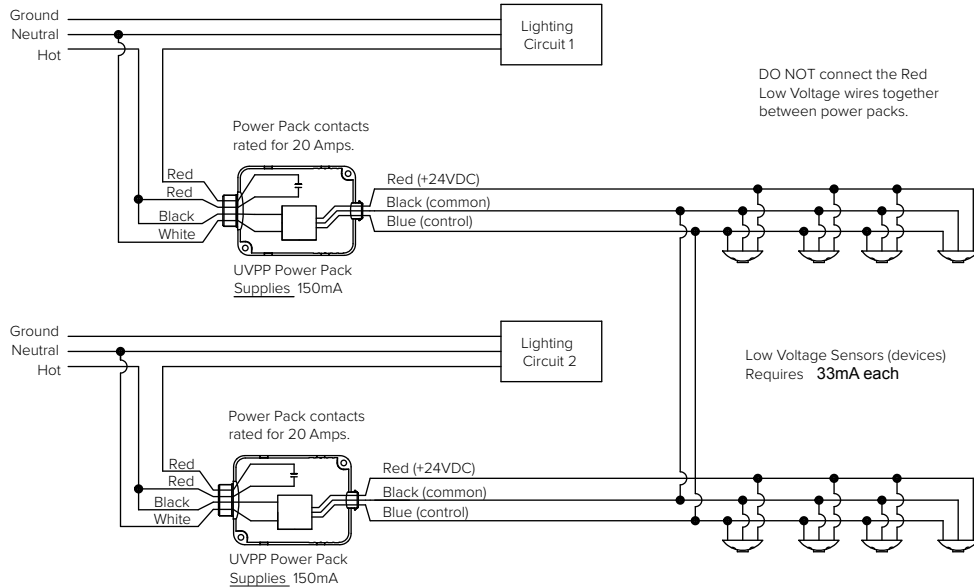
#### 1 Circuit with RP Option Wiring

# Lighting Controls

## LightOWL® PIR AND ULTRASONIC WALL MOUNT SENSOR CEILING AND WALL MOUNT OCCUPANCY SENSORS

### ADDITIONAL INFORMATION

#### Wiring Diagrams



#### NOTES:

1. Lighting load turns on when at least one sensor detects motion
2. DO NOT attempt to power more than 4 devices, be it sensors or slave packs, from a single power pack
3. No more than 4 power packs should be connected in this way

#### 2 Circuits with 5 to 8 Sensors