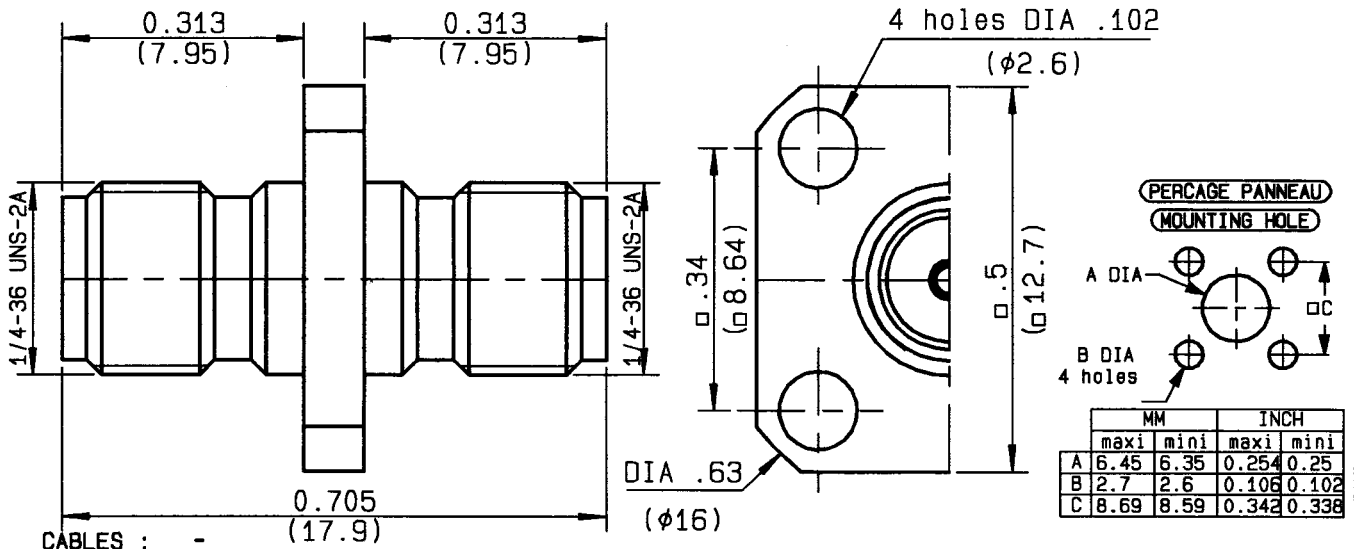


FEMALE-FEMALE ADAPTOR



CHARACTERISTICS

NOMINAL IMPEDANCE	50 Ω
FREQUENCY RANGE	0-46 GHz
TEMPERATURE RATING	-65/+165 °C
VSWR	1.03 + .003 x F(GHz)Maxi
RF INSERTION LOSS	.04 √F(GHz) dB Maxi
VOLTAGE RATING	350 Vrms Max
DIELECTRIC WITHSTANDING VOLTAGE	750 Vrms min
INSULATION RESISTANCE	5000 MΩ min
HERMETIC SEAL	- cc/s NA Atm.cm3/s
LEAKAGE (pressurized only)	- psi NA MPa
WEIGHT	0 Oz g

STANDARDISATION

CABLE RETENTION

CENTER CONTACT RETENTION

Axial force - mating end	6.06 <sup>27</sup>	1b min N
Axial force - opposite end	6.06 <sup>27</sup>	1b min N

Torque (Min)	0 <sup>NA</sup>	Inch.oz cm.N
--------------	-----------------	-----------------

RECOMMENDED TORQUES

Mating	0 <sup>NA</sup>	inch.lb cm.N
Panel nut	0 <sup>NA</sup>	inch.lb cm.N
Crimp nut	0 <sup>NA</sup>	inch.lb cm.N

CONSTRUCTION

CONNECTOR PARTS	MATERIALS	FINISH
BODY	STAINLESS STEEL	PASSIVATED
OUTER CONTACT	BRASS	GOLD OVER NICKEL
CENTER CONTACT	BERYLLIUM COPPER	GOLD OVER NICKEL
INSULATOR	KAPTON	-
-	-	-
-	-	-
-	-	-
-	-	-
-	-	-

ISSUE	REVISION No	DESCRIPTION	BY	DATE
-	-	-	-	-
-	-	-	-	-
-	-	-	-	-

Initiated on 04/10/94

The information given here is subject to change without notice. Design changes may be in order to improve the product.



Approval by P.GAUTIER

Y.PERRIN