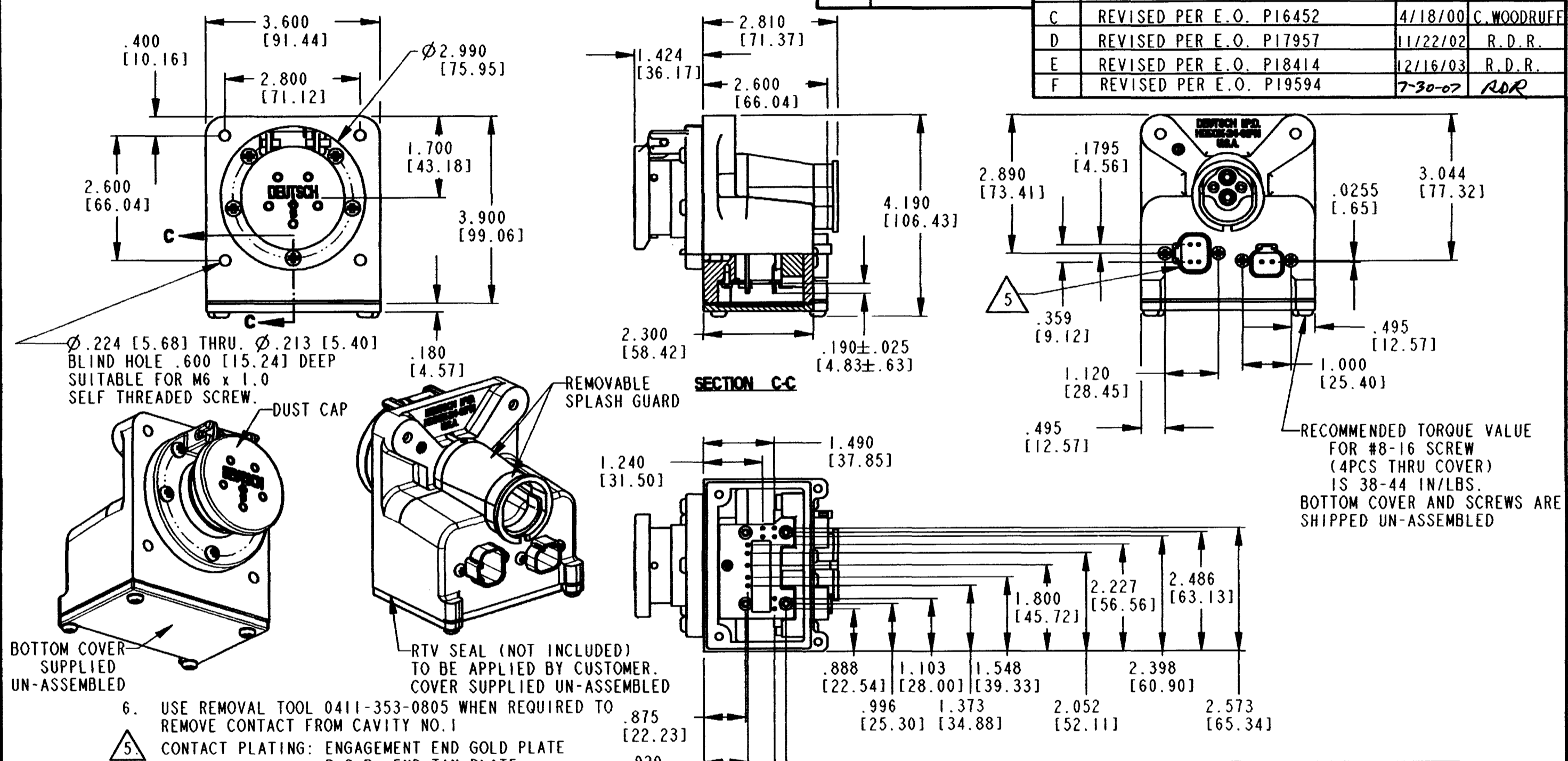


REV
F HDBOX-24-91PN

REVISIONS			
SYM	DESCRIPTION	DATE	APPROVED
C	REVISED PER E.O. P16452	4/18/00	C. WOODRUFF
D	REVISED PER E.O. P17957	11/22/02	R.D.R.
E	REVISED PER E.O. P18414	12/16/03	R.D.R.
F	REVISED PER E.O. P19594	7-30-07	RDR



6. USE REMOVAL TOOL 0411-353-0805 WHEN REQUIRED TO REMOVE CONTACT FROM CAVITY NO. 1
5. CONTACT PLATING: ENGAGEMENT END GOLD PLATE
P.C.B. END TIN PLATE
4. MATING CONNECTORS: HDB36-24-91SN-059, DT06-2S*, DT06-4S*
3. CONSULT FACTORY FOR MATERIAL AND ELECTRICAL SPECIFICATION.
2. TOLERANCES: LOCATION OF CONTACTS = ±.003 [0.08]
LOCATION OF HOLES = ±.005 [0.13]
OTHERS = ±.015 [0.38]
- NOTES:
1. DIMENSIONS ARE IN INCHES [MILLIMETERS]

SIGNATURE & DATE	
DR	J. APOSTOL 03 JAN 00
CHK	<i>[Signature]</i> 7/30/07
PE	<i>[Signature]</i>
APPD	<i>[Signature]</i> 7-27-07
SCALE	1:2 WT

MOUNTING BOX FOR
HD34-24-91PN RECPT. AND
DT13-2P AND DT13-4P
RECEPTACLES

ENVELOPE

CP	MATL. CODE
The Deutch Company DEUTSCH I.P.D. 3850 INDUSTRIAL AVE. HEMET, CALIF. 92545	
B HDBOX-24-91PN	
DWG SIZE	CODE 11139 SHEET 1 OF 1