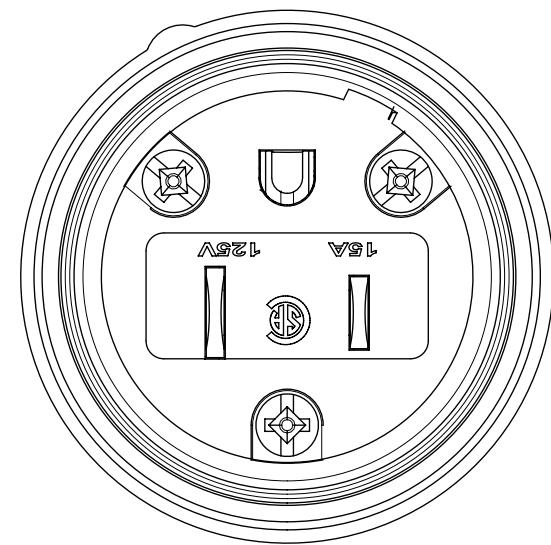
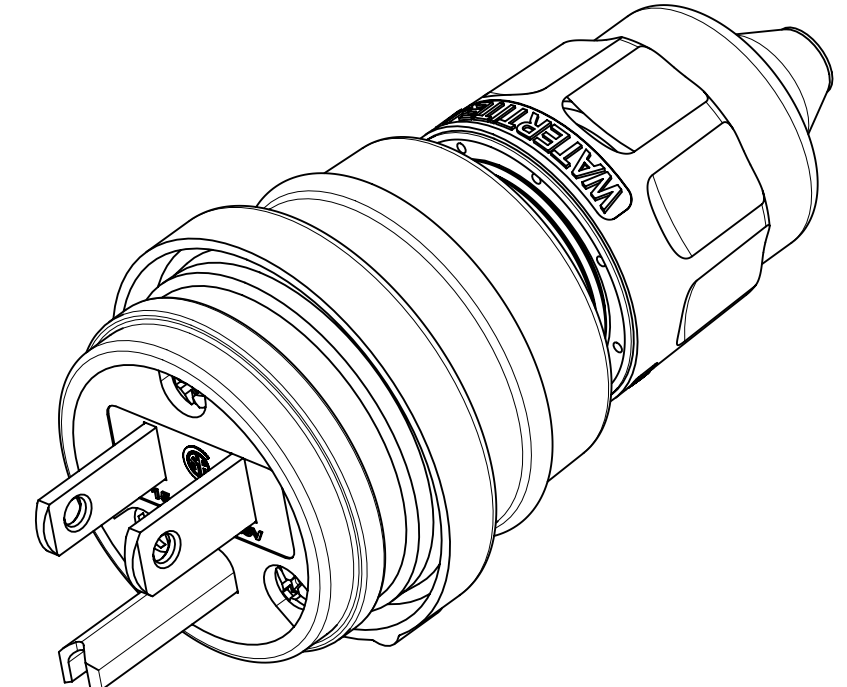
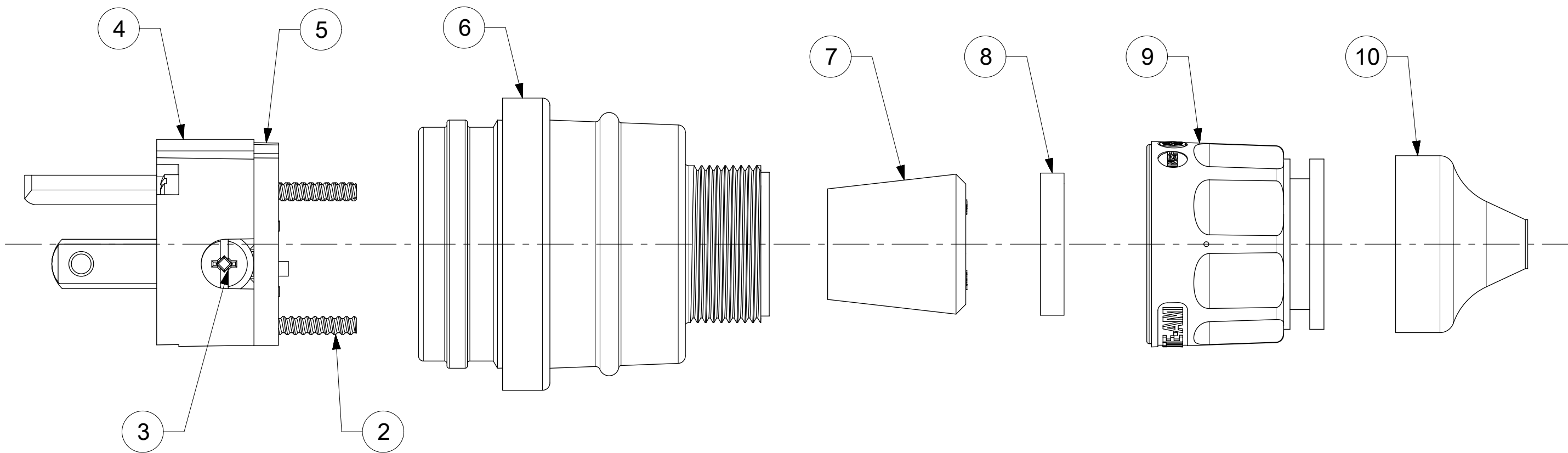
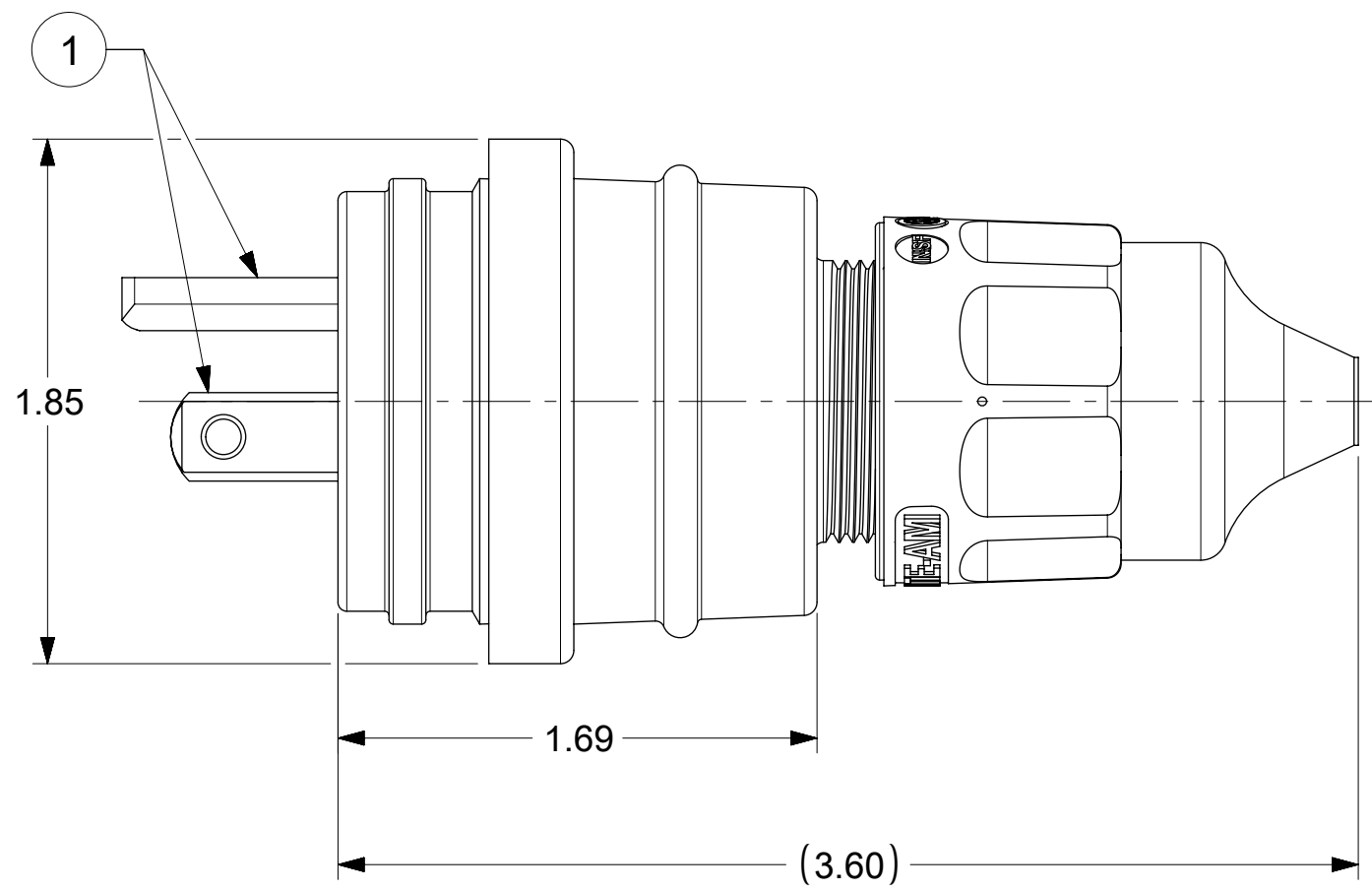


ORDER NO.	WOODHEAD NO.	COLOR
130146-0031	14W47	YELLOW
130146-0032	14W47BLK	BLACK
130146-0317	14W47-ICE	BLUE



**FACE VIEW**



- NOTES:**
- SEE INSTRUCTION SHEET NUMBER 1301414770 FOR PRODUCT SPECIFICATION.
  - CABLE RANGE FROM 0.375" TO 0.625"

ITEM NO.	DESCRIPTIONS	MATERIAL	QTY.
1	BLADES	BRASS	3
2	RETAINING SCREWS	STAINLESS STEEL	3
3	TERMINAL SCREWS	BRASS, ZINC PLATED	3
4	INSERT	NYLON	1
5	TERMINAL COVER	POLYCARBONATE	1
6	HOUSING	SILICONE WITH NYLON THREAD	1
7	GROMMETS	RUBBER	5
8	FRICTION RING	NYLON	1
9	COMPRESSION NUT	NYLON	1
10	CABLE GLOVE	SILICONE	1

<b>FUNCTIONAL SYMBOLS</b> $\nabla_A = 0$ $\nabla_C = 0$ $\nabla_P = 0$	THIS DRAWING CONTAINS INFORMATION THAT IS PROPRIETARY TO MOLEX ELECTRONIC TECHNOLOGIES, LLC AND SHOULD NOT BE USED WITHOUT WRITTEN PERMISSION		CURRENT REV DESC: ADDED 130146-0317 TO THE TABLE.				
	<b>DIMENSION UNITS</b> <b>INCH</b>	<b>SCALE</b> <b>NTS</b>	<p>WATERTITE PLUG, 5-15P</p> <p>PRODUCT CUSTOMER DRAWING</p>				
	GENERAL TOLERANCES (UNLESS SPECIFIED)						
	ANGULAR TOL ± °						
4 PLACES ±							
<b>DIVISIONAL SYMBOLS</b> $\nabla_A = 0$ $\nabla_C = 0$ $\nabla_P = 0$	3 PLACES ±	EC NO: 695188 DRWN: DNGUYEN62 CHK'D: WLEUNG APPR: JFMURPHY	2022/02/09 2022/02/15 2022/03/15	DOCUMENT NUMBER <b>1301460031</b>	DOC TYPE <b>PSD</b>	DOC PART <b>000</b>	REVISION <b>B</b>
	2 PLACES ±	INITIAL REVISION: DRWN: NVELUSAMY APPR: HKNEELAND	2018/10/26 2019/02/11	MATERIAL NUMBER SEE TABLE	CUSTOMER GENERAL MARKET	SHEET NUMBER 1 OF 1	
	1 PLACE ±	DRAFT WHERE APPLICABLE MUST REMAIN WITHIN DIMENSIONS	THIRD ANGLE PROJECTION 	DRAWING <b>C-SIZE</b>	SERIES <b>130146</b>		
	0 PLACES ±						