

# RP357

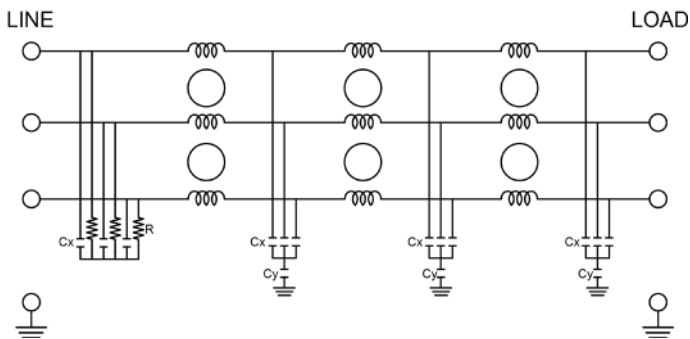
## 3-PHASE DELTA MULTI-STAGE EMI POWER LINE FILTER, 600V

### FEATURES

- » Rated currents include **150A, 180A, 250A, 320A, 400A, 600A, 800A, 1000A, 1600A and 2500A**
- » Multi-Stage Line Filter
- » Available with **W** (wires), **S** (studs) and **C** (connectors), and **(B)**Bus Bars option
- » Agency Approved to UL1283 / 60929, CSA C22.2, EN 60969
- » Y-cap value can be adjusted to fit specification



### ELECTRICAL SCHEMATIC



### HOW TO ORDER

RP357-X-Y-Z



**NOTE:** USE ANY COMBINATION OF -X (AMPS) WITH ANY -Y RATINGS

E.G. **RP357-320-10-B** (320AMPS WITH 10 NF YCAP)

For **X, Y** and **Z** options see product specification table.

### SPECIFICATIONS

OPERATING FREQUENCY	50/60Hz
MAX. OPERATING VOLTAGE	600 VAC +10%
AMBIENT TEMPERATURE	-25 TO 50°C
CLIMATIC CATEGORY	25/100/21
TERMINALS (-T)	WIRELEADS
	STUDS 150-250A (M10)
	CONNECTORS
	BUS BARS 320-400A (6X25),
	600A (8X25)
	800-1000A (8X40),
	1600A (10X60),
	2500A (15X70)

TYP. WEIGHT, LBS (KG) 14.7-39.0 (6.7-17.7)

### TYPICAL LEAKAGE CURRENT

@ 480 VAC 60 Hz 0 - 20.0 mA Max.

### HIPOT RATINGS

LINE TO GROUND 3800 VDC

### TYPICAL APPLICATIONS

- ✓ Power Conrsion Systems
- ✓ Three-Phase Industrial Equipment
- ✓ Processing Equipment & Factory Machinery
- ✓ Alternative Energy (EV Charging & Solar Systems)
- ✓ Industrial Automation

# RP357

## 3-PHASE **DELTA** MULTI-STAGE EMI POWER LINE FILTER, 600V

MODEL NO.	RATED CURRENT, A @ 40° C	Y-CAP, nF	LEAKAGE CURRENT mA, @ 480V AC/60 Hz	TERMINAL OPTIONS				MAX. DIMENSIONS" (MM)		
				(W) IN/OUTPUT	(S) IN/OUTPUT	(C) IN/OUTPUT	(B) IN/OUTPUT	WIDTH	(LENGTH)	HEIGHT
RP357-150-0-C	150	0	-			✓		*	*	*
RP357-150-0-S	150	0	-		✓			8.27"(210)	14.80"(376)	4.72"(120)
RP357-150-0-W	150	0	-	✓				*	*	*
RP357-150-10-C	150	10	0.10			✓		*	*	*
RP357-150-10-S	150	10	0.10		✓			8.27"(210)	14.80"(376)	4.72"(120)
RP357-150-10-W	150	10	0.10	✓				*	*	*
RP357-150-100-C	150	100	1.00			✓		*	*	*
RP357-150-100-S	150	100	1.00		✓			8.27"(210)	14.80"(376)	4.72"(120)
RP357-150-100-W	150	100	1.00	✓				*	*	*
RP357-150-1000-C	150	1000	10.00			✓		*	*	*
RP357-150-1000-S	150	1000	10.00		✓			8.27"(210)	14.80"(376)	4.72"(120)
RP357-150-1000-W	150	1000	10.00	✓				*	*	*
RP357-150-2000-C	150	2000	20.00			✓		*	*	*
RP357-150-2000-S	150	2000	20.00		✓			8.27"(210)	14.80"(376)	4.72"(120)
RP357-150-2000-W	150	2000	20.00	✓				*	*	*
RP357-180-0-C	180	0	-			✓		*	*	*
RP357-180-0-S	180	0	-		✓			8.27"(210)	14.80"(376)	4.72"(120)
RP357-180-0-W	180	0	-	✓				*	*	*
RP357-180-10-C	180	10	0.10			✓		*	*	*
RP357-180-10-S	180	10	0.10		✓			8.27"(210)	14.80"(376)	4.72"(120)
RP357-180-10-W	180	10	0.10	✓				*	*	*
RP357-180-100-C	180	100	1.00			✓		*	*	*
RP357-180-100-S	180	100	1.00		✓			8.27"(210)	14.80"(376)	4.72"(120)
RP357-180-100-W	180	100	1.00	✓				*	*	*
RP357-180-1000-C	180	1000	10.00			✓		*	*	*
RP357-180-1000-S	180	1000	10.00		✓			8.27"(210)	14.80"(376)	4.72"(120)
RP357-180-1000-W	180	1000	10.00	✓				*	*	*
RP357-180-2000-C	180	2000	20.00			✓		*	*	*
RP357-180-2000-S	180	2000	20.00		✓			8.27"(210)	14.80"(376)	4.72"(120)
RP357-180-2000-W	180	2000	20.00	✓				*	*	*
RP357-250-0-S	250	0	-		✓			9.06"(230)	14.80"(376)	4.92"(125)
RP357-250-10-S	250	10	0.10		✓			9.06"(230)	14.80"(376)	4.92"(125)
RP357-250-100-S	250	100	1.00		✓			9.06"(230)	14.80"(376)	4.92"(125)
RP357-250-1000-S	250	1000	10.00		✓			9.06"(230)	14.80"(376)	4.92"(125)

**ADDITIONAL MODEL NO. >>**

# RP357

## 3-PHASE **DELTA** MULTI-STAGE EMI POWER LINE FILTER, 600V

MODEL NO.	RATED CURRENT, A @ 40° C	Y-CAP, nF	LEAKAGE CURRENT mA, @ 480V AC/60 Hz	TERMINAL OPTIONS				MAX. DIMENSIONS" (MM)		
				(W) IN/ OUTPUT	(S) IN/ OUTPUT	(C) IN/ OUTPUT	(B) IN/ OUTPUT	WIDTH	(LENGTH)	HEIGHT
RP357-250-2000-S	250	2000	20.00		✓			9.06"(230)	14.80"(376)	4.92"(125)
RP357-320-0-B	320	0	-				✓	9.06"(230)	14.80"(376)	4.92"(125)
RP357-320-10-B	320	10	0.10				✓	9.06"(230)	14.80"(376)	4.92"(125)
RP357-320-100-B	320	100	1.00				✓	9.06"(230)	14.80"(376)	4.92"(125)
RP357-320-1000-B	320	1000	10.00				✓	9.06"(230)	14.80"(376)	4.92"(125)
RP357-320-2000-B	320	2000	20.00				✓	9.06"(230)	14.80"(376)	4.92"(125)
RP357-400-0-B	400	0	-				✓	10.24"(260)	15.20"(386)	4.53"(115)
RP357-400-10-B	400	10	0.10				✓	10.24"(260)	15.20"(386)	4.53"(115)
RP357-400-100-B	400	100	1.00				✓	10.24"(260)	15.20"(386)	4.53"(115)
RP357-400-1000-B	400	1000	10.00				✓	10.24"(260)	15.20"(386)	4.53"(115)
RP357-400-2000-B	400	2000	20.00				✓	10.24"(260)	15.20"(386)	4.53"(115)
RP357-600-0-B	600	0	-				✓	10.24"(260)	15.20"(386)	5.31"(135)
RP357-600-10-B	600	10	0.10				✓	10.24"(260)	15.20"(386)	5.31"(135)
RP357-600-100-B	600	100	1.00				✓	10.24"(260)	15.20"(386)	5.31"(135)
RP357-600-1000-B	600	1000	10.00				✓	10.24"(260)	15.20"(386)	5.31"(135)
RP357-600-2000-B	600	2000	20.00				✓	10.24"(260)	15.20"(386)	5.31"(135)
RP357-800-0-B	800	0	-				✓	10.24"(260)	15.20"(386)	5.31"(135)
RP357-800-10-B	800	10	0.10				✓	10.24"(260)	15.20"(386)	5.31"(135)
RP357-800-100-B	800	100	1.00				✓	10.24"(260)	15.20"(386)	5.31"(135)
RP357-800-1000-B	800	1000	10.00				✓	10.24"(260)	15.20"(386)	5.31"(135)
RP357-800-2000-B	800	2000	20.00				✓	10.24"(260)	15.20"(386)	5.31"(135)
RP357-1000-0-B	1000	0	-				✓	11.02"(280)	17.95"(456)	6.69"(170)
RP357-1000-10-B	1000	10	0.10				✓	11.02"(280)	17.95"(456)	6.69"(170)
RP357-1000-100-B	1000	100	1.00				✓	11.02"(280)	17.95"(456)	6.69"(170)
RP357-1000-1000-B	1000	1000	10.00				✓	11.02"(280)	17.95"(456)	6.69"(170)
RP357-1000-2000-B	1000	2000	20.00				✓	11.02"(280)	17.95"(456)	6.69"(170)
RP357-1600-0-B	1600	0	-				✓	11.81"(300)	23.07"(586)	6.30"(160)
RP357-1600-10-B	1600	10	0.10				✓	11.81"(300)	23.07"(586)	6.30"(160)
RP357-1600-100-B	1600	100	1.00				✓	11.81"(300)	23.07"(586)	6.30"(160)
RP357-1600-1000-B	1600	1000	10.00				✓	11.81"(300)	23.07"(586)	6.30"(160)
RP357-1600-2000-B	1600	2000	20.00				✓	11.81"(300)	23.07"(586)	6.30"(160)
RP357-2500-0-B	2500	0	-				✓	14.57"(370)	31.34"(796)	7.87"(200)
RP357-2500-10-B	2500	10	0.10				✓	14.57"(370)	31.34"(796)	7.87"(200)
RP357-2500-100-B	2500	100	1.00				✓	14.57"(370)	31.34"(796)	7.87"(200)

**ADDITIONAL MODEL NO. >>**

# RP357

## 3-PHASE **DELTA** MULTI-STAGE EMI POWER LINE FILTER, 600V

MODEL NO.	RATED CURRENT, A @ 40° C	Y-CAP, nF	LEAKAGE CURRENT mA, @ 480V AC/60 Hz	TERMINAL OPTIONS				MAX. DIMENSIONS" (MM)		
				(W) IN/OUTPUT	(S) IN/OUTPUT	(C) IN/OUTPUT	(B) IN/OUTPUT	WIDTH	(LENGTH)	HEIGHT
RP357-2500-1000-B	2500	1000	10.00				✓	14.57"(370)	31.34"(796)	7.87"(200)
RP357-2500-2000-B	2500	2000	20.00				✓	14.57"(370)	31.34"(796)	7.87"(200)

\*Contact factory for dimensions.

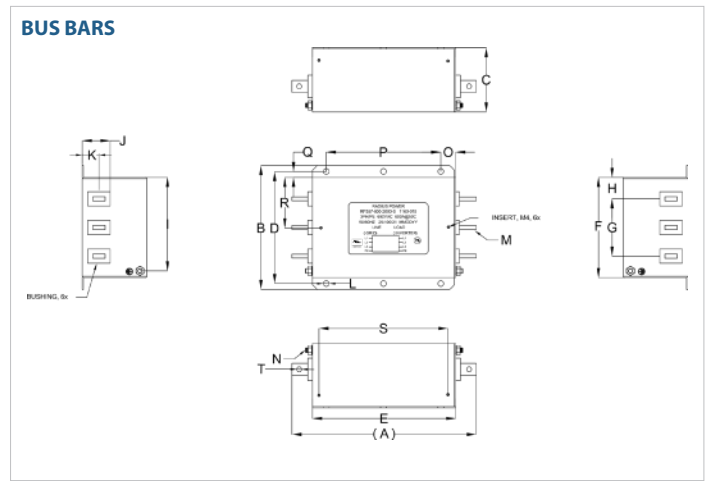
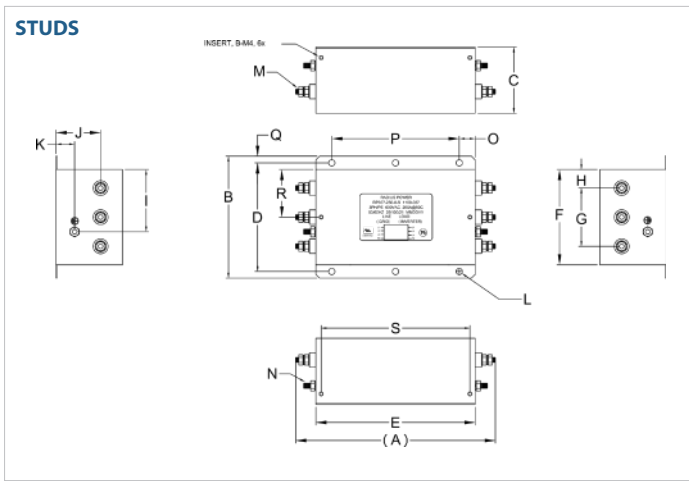
### TYPICAL INSERTION LOSS, dB (50/50 Ohm)

Amps	Freq (MHz)	0.15	0.5	1.0	10	30
150	CM (dB)	65	80	80	40	20
	DM (dB)	65	65	60	35	20
180	CM (dB)	65	80	80	40	20
	DM (dB)	65	65	60	35	20
250	CM (dB)	65	80	80	40	20
	DM (dB)	65	65	60	35	20
320	CM (dB)	65	80	80	40	20
	DM (dB)	65	65	60	35	20
400	CM (dB)	65	80	80	40	20
	DM (dB)	65	65	60	35	20
600	CM (dB)	65	80	80	40	20
	DM (dB)	65	65	60	35	20
800	CM (dB)	65	80	80	40	20
	DM (dB)	65	65	60	35	20
1000	CM (dB)	65	80	80	40	20
	DM (dB)	65	65	60	35	20
1600	CM (dB)	65	80	80	40	20
	DM (dB)	65	65	60	35	20
2500	CM (dB)	65	80	80	40	20
	DM (dB)	65	65	60	35	20

# RP357

## 3-PHASE DELTA MULTI-STAGE EMI POWER LINE FILTER, 600V

### RP357 MECHANICAL OUTLINES (MM)



SERIES	(A)	B	C	D	E	F	G	H	I	J	K	L	M	N	O	P	Q	R	T	S
<b>STUDS (150 180A)</b>	14.80" (376)	8.27" (210)	4.72" (120)	9.45" (240)	11.81" (300)	6.30" (160)	3.94" (100)	1.18" (30)	4.13" (105)	3.11" (79)	1.18" (30)	Ø12.0, 6X	STUD, M10, 6x	STUD, GND, M10, 2x	1.18" (30)	7.28" (185)	0.49" (13)	3.15" (80)	11.02" (280)	20.00" (20)
<b>STUDS (250 320A)</b>	14.80" (376)	9.06" (230)	4.92" (125)	8.07" (205)	11.81" (300)	7.09" (180)	4.33" (110)	1.38" (35)	4.63" (118)	3.31" (84)	1.38" (35)	Ø12.0, 6X	STUD, M10, 6x	STUD, GND, M10, 2x	1.18" (30)	5.51" (140)	0.49" (13)	3.54" (90)	11.02" (280)	20.00" (20)
<b>BUS BARS (400A)</b>	15.20" (386)	10.24" (260)	4.53" (115)	9.25" (235)	11.81" (300)	8.27" (210)	4.72" (120)	1.78" (45)	7.48" (190)	2.43" (62)	1.50" (38)	Ø12.0, 6X	6x25MM, 3x, BUS BARS	STUD, GND, M10, 2x	1.18" (30)	9.45" (240)	0.49" (13)	0.59" (15)	11.02" (280)	Ø10.5
<b>BUS BARS (600/ 800A)</b>	15.20" (386)	10.24" (260)	5.31" (135)	9.25" (235)	11.81" (300)	8.27" (210)	4.72" (120)	1.77" (45)	7.48" (190)	2.43" (62)	1.50" (38)	Ø12.0, 6X	8x25mm, 3x, BUS BARS	STUD, GND, M12, 2x	1.23" (31)	9.45" (240)	0.49" (13)	4.13" (105)	11.02" (280)	Ø10.5
<b>BUS BARS (1000A)</b>	17.95" (456)	11.02" (280)	6.69" (170)	10.04" (255)	13.78" (350)	9.06" (230)	4.72" (120)	2.17" (55)	8.07" (205)	5.71" (145)	1.97" (50)	Ø12.0, 6X	8x40mm, 3x, BUS BARS	STUD, GND, M10, 2x	1.18" (30)	11.42" (290)	0.49" (13)	5.02" (128)	12.99" (330)	Ø14.0, 6X
<b>BUS BARS (1600A)</b>	23.07" (586)	11.81" (300)	6.30" (160)	10.83" (275)	15.75" (400)	9.84" (250)	4.72" (120)	2.56" (65)	8.86" (225)	4.84" (123)	1.46" (37)	Ø12.0, 6X	N/A	STUD, GND, M10, 2x	1.24" (32)	13.39" (340)	0.49" (13)	0.67" (17)	14.96" (380)	Ø14.0
<b>BUS BARS (2500A)</b>	31.34" (796)	14.57" (370)	7.87" (200)	12.99" (330)	23.62" (600)	11.81" (300)	7.87" (200)	1.97" (50)	10.83" (275)	5.20" (132)	3.35" (85)	Ø14.0, 6X	15x70MM, 3x, BUS BARS	STUD, GND, M10, 2x	1.97" (50)	19.69" (500)	0.79" (20)	5.91" (150)	22.83" (580)	Ø14.0, 4X

TYPICAL TOLERANCE: +/-0.02" (0.50MM)