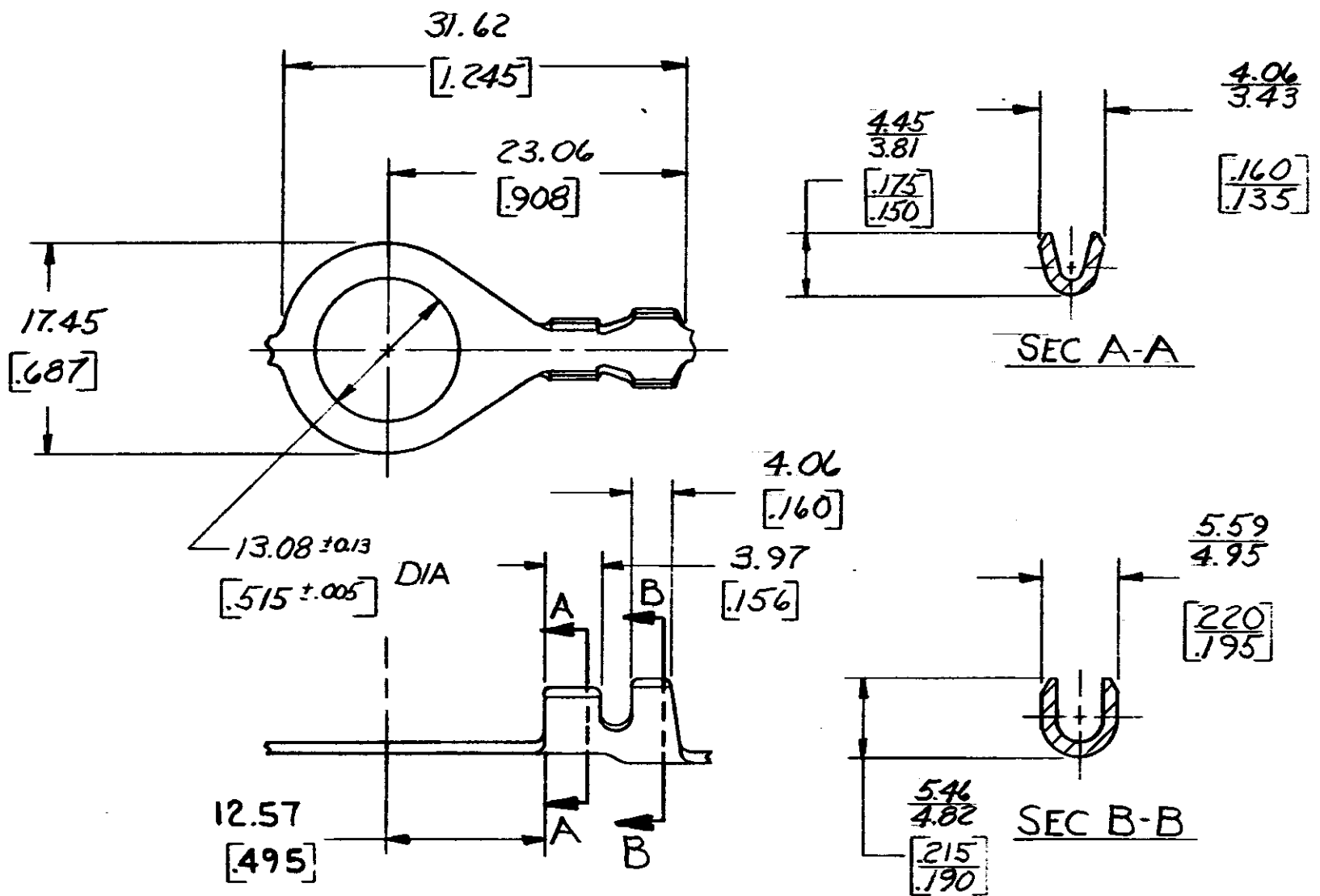



© COPYRIGHT 1979 BY AMP INCORPORATED, HARRISBURG, PA. ALL INTERNATIONAL RIGHTS RESERVED. AMP INCORPORATED PRODUCTS COVERED BY U. S. AND FOREIGN PATENTS AND/OR PATENTS PENDING.

REVISIONS						
P	F	ZONE	LTR	DESCRIPTION	DATE	APPROVED
✓	✓		A	RELEASED FOR PRODUCTION P.A.R.	6-7-79	ELT/RPF
✓	✓		B	.495 WAS .500 PER A-5399	3-16-82	RLS/GJ



1. DIMS. IN BRACKETS ARE IN INCHES.
2. CONTINUOUS STRIP ON REELS.

METRIC

2.29-3.68 [090-.145]		0.8-2.0 mm ² [#18-#14]		62786-1
INSULATION RANGE		WIRE RANGE		PART NO
UNLESS OTHERWISE SPECIFIED DIMENSIONS ARE IN INCHES. TOLERANCES ON: DECIMALS ± ANGLES ±		 AMP INCORPORATED Harrisburg, Pa.		
CONTRACT NO		NAME		
DR: <i>S. J. Hoffmann</i> 2/7/79		RING TONGUE		
CHK: <i>G. J. ...</i> 7/19/79		SIZE		
MATERIAL		CODE IDENT NO		DRAWING NO
0.64 [025] S/S		B 00779		62786
FINISH		SCALE		SHEET
NONE				