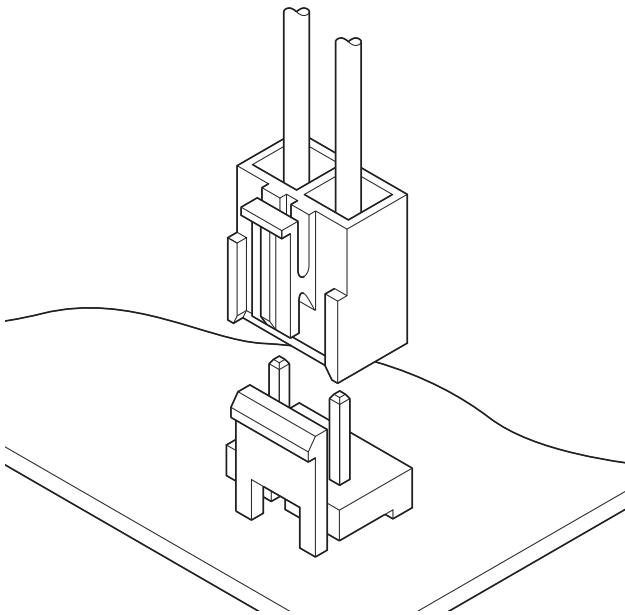


NV CONNECTOR

5.0 mm pitch/Wire-to Board connectors/Crimp style and Mating style



- Side stackable
- Box contact
- Compact connector with a large capacity
- Structure to prevent incorrect insertion

Specifications

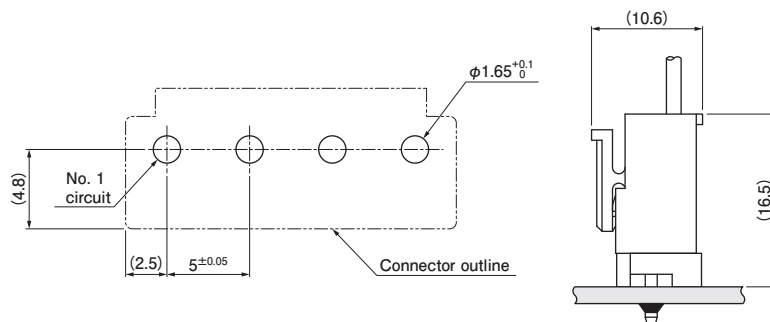
- Current rating: 10 A AC/DC (AWG #16)
 - Voltage rating: 250 V AC/DC
 - Temperature range: -25°C to +85°C
(including temperature rise in applying electrical current)
 - Contact resistance:
 - Initial value/ 10 mΩ max.
 - After environmental tests/ 20 mΩ max.
 - Insulation resistance: 1,000 MΩ min.
 - Withstanding voltage:
 - There shall be no breakdown or flashover while applying 1,500 VAC for one minute.
 - Applicable wire range:
 - Conductor size/ AWG #22 to AWG #16
 - Insulation O.D. / ϕ 1.7 mm to ϕ 3.0 mm
 - Applicable PC board thickness: 1.6 mm
- * Please refer to the "Handling Precautions for Terminals and Connectors" on our website (listed in the "Technical Documents" column on the Product Information page) before use.
- * RoHS2 compliance
- * Dimensional unit: mm
- * Contact JST for details.

Standards

For information on overseas standard registrations, please refer to the "List of Registered Overseas Standards" on our website (listed in the "Technical Documents" column on the Product Information page).

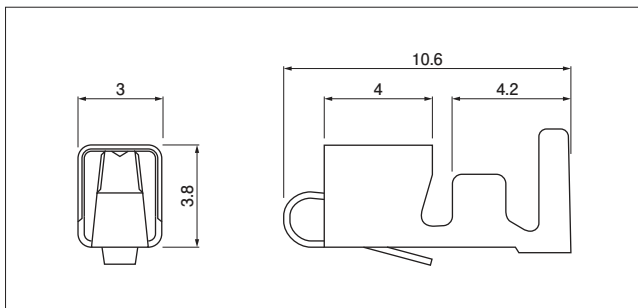
* Specifications registered to overseas standards may differ from the general specifications listed above.

PC board layout and Assembly layout



- Note: 1. The figure of PC board layout is the figure viewed from the connector mounting side.
 2. Tolerance for the PCB hole pitch shall be ± 0.05 and shall not accumulate.
 3. Hole dimensions differ according to the type of PC board and piercing method.
 The above dimensions are reference values. Please contact JST for details.

Contact



Model No.	Applicable wire range		Q'ty/ reel
	Conductor size AWG (mm ²)	Insulation O.D. (mm)	
SVH-21T-P1.1	#22 to #18 (0.33 to 0.83)	1.7 to 3.0	4,500
SVH-41T-P1.1	#20 to #16 (0.5 to 1.25)	1.7 to 3.0	3,500

Material and Surface finish, etc.

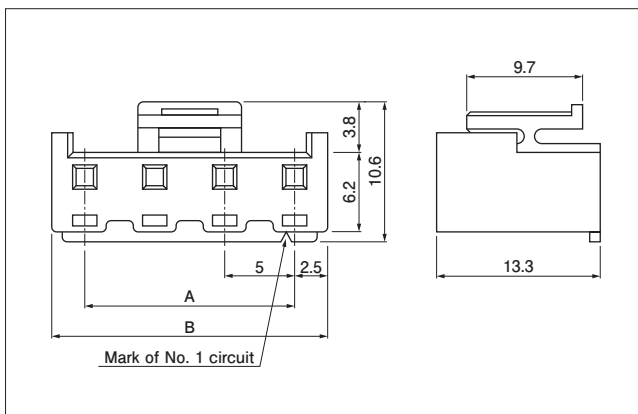
Phosphor bronze, tin-plated

Crimping machine

Contact	Crimping machine	Applicator	Crimp applicator with dies
SVH-21T-P1.1	AP-K2N	MKS-L	APLMK SVH21-11
SVH-41T-P1.1			APLMK SVH41-11

Note: Contact JST for fully automatic crimping applicator.

Housing



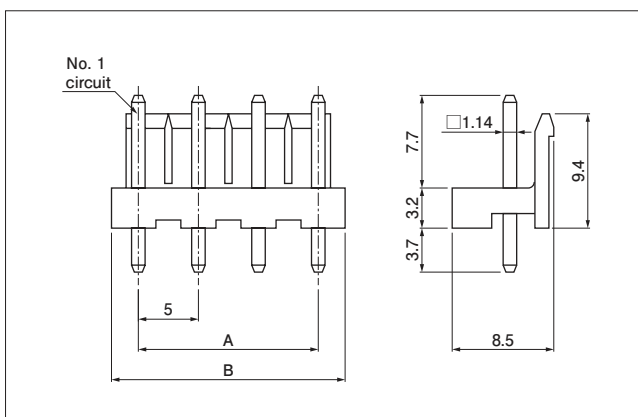
No. of circuits	Model No.	Dimensions (mm)		Q'ty/bag
		A	B	
2	NVR-02	5.0	10.0	1,000
3	NVR-03	10.0	15.0	500
4	NVR-04	15.0	20.0	1,000

Material and Surface finish, etc.

PA 6, natural (white)

Note: For flame retardant grade of resin material used, please refer to the "List of Registered Overseas Standards" on our website (listed in the "Technical Documents" column on the Product Information page).

Header



No. of circuits	Model No.	Dimensions (mm)		Q'ty/box
		A	B	
2	B02P-NV	5.0	10.0	1,000
3	B03P-NV	10.0	15.0	700
4	B04P-NV	15.0	20.0	500

Material and Surface finish, etc.

Post: Brass, copper-undercoated, tin-plated

Wafer: B02P-NV/PA 66, natural (white)

B03P-NV) PBT (Glass-filled), natural (white)

B04P-NV)

Note: 1. This product displays (LF)(SN) on a label.

2. For flame retardant grade of resin material used, please refer to the "List of Registered Overseas Standards" on our website (listed in the "Technical Documents" column on the Product Information page).

Model number allocation

Contact

S VH - 21 T - P 1.1

Supply form: S...Strip form
 B...Loose piece

Series name

Applicable wire range: 21...AWG #22 to AWG #18
 41...AWG #20 to AWG #16

Surface finish: Tin-plated

Material: Phosphor bronze

Applicable post size

Housing

NV R - 02 - ■

Series name

Type: Receptacle

No. of circuits

Color: Blank...Natural (White), E...Blue

Header

B 02P - NV - ■

Header type: Top entry type

No. of circuits

Series name

Color: Blank...Natural (White), BL...Blue