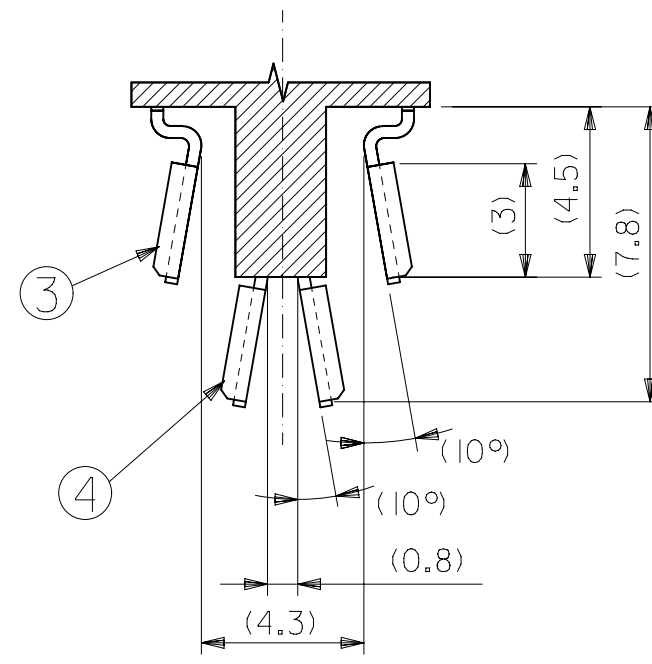


NO.	DESCRIPTION	MATERIAL	FINISH
①	シェル SHELL	鋼 STEEL	ニッケルメッキ NICKEL PLATING
②	ハウジング HOUSING	ポリアミド46 UL94V-0 POLYAMIDE46	色:黒 COLOR:BLACK
③	端子 TERMINAL	りん青銅 PHOSPHOR BRONZE	接点部 CONTACT AREA GOLD:0.3 MICROMETER MIN 半田付け部分 SOLDER TAIL TIN:1.0 MICROMETER MIN
④	端子 TERMINAL		全体下地 UNDER PLATING NICKEL:2.0 MICROMETER MIN



SECTION A-A

30.48	38.23	54306-50 19	50
21.59	29.34	54306-36 19	36
11.43	19.3	54306-20 19	20
7.62	15.37	54306-14 19	14
B	A	製品番号 MATERIAL NO.	極数 CKT

MODEL NO. 54306-**19

GENERAL TOLERANCES (UNLESS SPECIFIED) 10 ^{UNDER} ±0.2 10 ^{OVER} 30 ^{UNDER} ±0.25 30 ^{OVER} ±0.3 ANGULAR ±3°		DIMENSION UNITS: mm SCALE: 5:1 GENERAL TOLERANCES (UNLESS SPECIFIED): 4 PLACES ± mm ± inch 3 PLACES ± mm ± inch 2 PLACES ± mm ± inch 1 PLACE ± mm ± inch 0 PLACES ± mm ± inch ANGULAR TOL ± ° DRAFT WHERE APPLICABLE MUST REMAIN WITHIN DIMENSIONS	CURRENT REV DESC: OBSOLETE PART NUMBER EC NO: 632260 DRWN: AKUMAR19 2020/02/03 CHK'D: GGA 2020/02/28 APPR: GGA 2020/02/28 INITIAL REVISION: DRWN: T.UENO 2004/05/19 APPR: M.SASAO 2004/05/19	 1.27 I/O CONN. PLUG HSG ASSY PRODUCT CUSTOMER DRAWING
DOCUMENT STATUS: P1 RELEASE DATE: 2020/02/28 02:39:13	THIRD ANGLE PROJECTION 	DRAWING: A3-SIZE SERIES: 54306	MATERIAL NUMBER: SEE TABLE CUSTOMER: GENERAL MARKET SHEET NUMBER: 1 OF 1	DOCUMENT NUMBER: SD-54306-001 DOC TYPE: PSD DOC PART: 001 REVISION: B