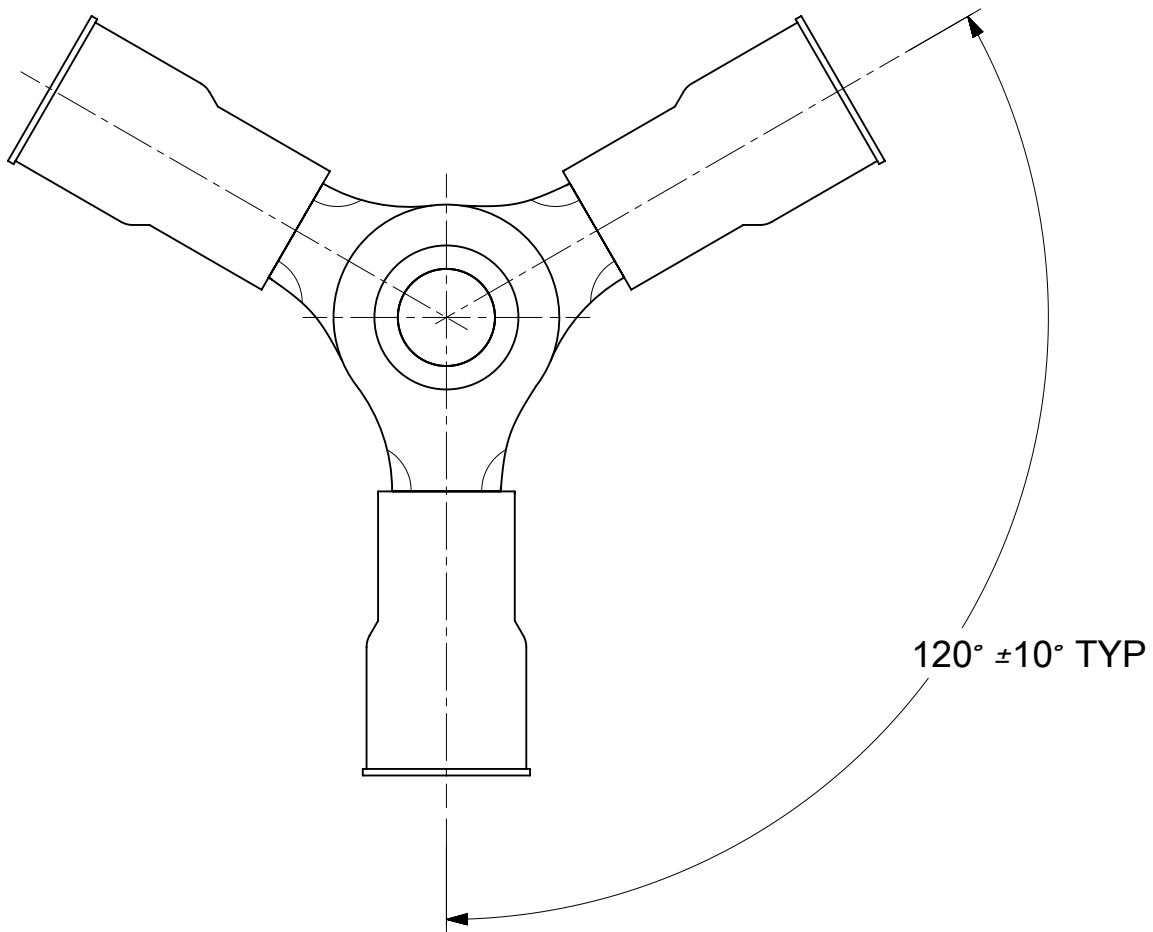


ASSEMBLY NUMBER	
MATERIAL NUMBER	ENGINEERING NUMBER
192040002	A-1YC
192040004	A-2YCX
192040005	A-3YC
192040009	A-5YC
192040010	A-8YC
192040012	B-1YC
192040014	B-2YCX
C1-----	-----
192040018	B-5YC
192040022	B-8YC
192040024	C-1YC
192040026	C-2YCX
C1-----	-----
192040030	C-5YC
C1-----	-----
191640011	SA-2YCX
191640042	SB-2YCX
191640074	SC-2YCX
C1 192040008	A-5XC



<b>SYMBOLS</b> DIMENSION UNITS: NTS SCALE: 1:1 GENERAL TOLERANCES (UNLESS SPECIFIED) 4 PLACES ±            ± 3 PLACES ±            ± 0.005 2 PLACES ± 0.13    ± 0.01 1 PLACE ± 0.25     ± 0 PLACES ±            ± ANGULAR TOL ± 0.5 ° DRAFT WHERE APPLICABLE MUST REMAIN WITHIN DIMENSIONS THIRD ANGLE PROJECTION DRAWING: A-SIZE SERIES: 19204 MATERIAL NUMBER: SEE CHART CUSTOMER: GENERAL MARKET SHEET NUMBER: 1 OF 1	THIS DRAWING CONTAINS INFORMATION THAT IS PROPRIETARY TO MOLEX ELECTRONIC TECHNOLOGIES, LLC AND SHOULD NOT BE USED WITHOUT WRITTEN PERMISSION CURRENT REV DESC: RMV OBSO PN: 192040016 (B-3YC), 192040028 (C-3YC), 192040031 (C-8YC). ADD MISSING P/N: 192040008 (A-5XC) EC NO: 630252 DRWN: DMYRICK 2020/01/08 CHK'D: JMACNEIL 2020/01/10 APPR: JMACNEIL 2020/01/10 INITIAL REVISION: DRWN: BENDERLE 2002/11/14 APPR: RDEROSS 2003/05/16		<b>molex</b> 3-WAY CONNECTOR ASSEMBLY PRODUCT CUSTOMER DRAWING	
	DOCUMENT NUMBER: SD-19204-001	DOC TYPE: PSD	DOC PART: 001	REVISION: C1
	MATERIAL NUMBER: SEE CHART	CUSTOMER: GENERAL MARKET	SHEET NUMBER: 1 OF 1	