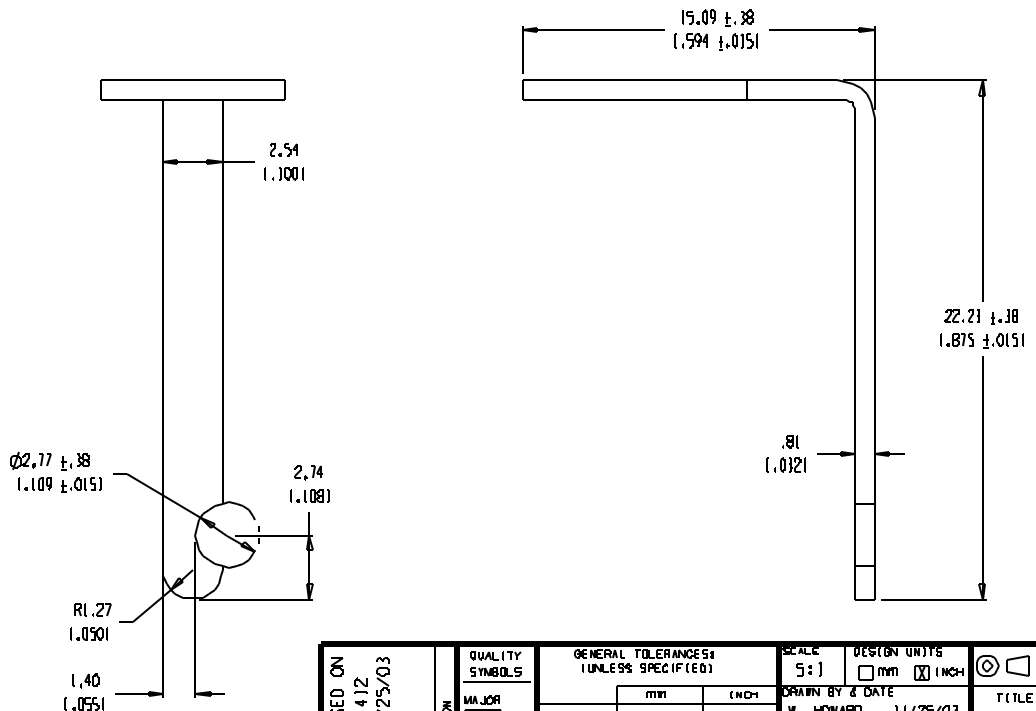
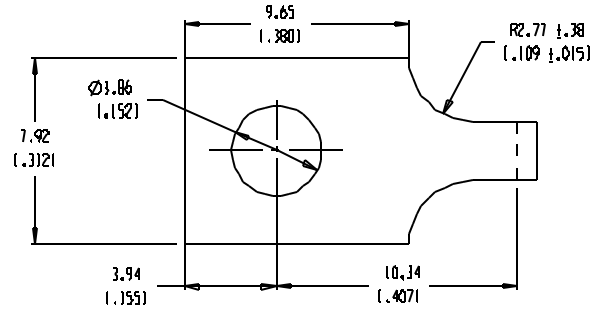


SD-38002-016



- NOTES:
1. MATERIAL: SEE TABLE
 2. FINISHES: SEE TABLE
 3. PRODUCT SPECIFICATION: NOT REQUIRED
 4. PACKAGING: NOT REQUIRED
 5. MATES WITH: NONE
 6. USED WITH: 1800 & 1900 SERIES TERMINAL STRIPS.

PROJECT NO.:	-	-
DIMENSIONS:	SHR	REV
<input checked="" type="checkbox"/> MM (INCH)	<input type="checkbox"/> INCH (MM)	<input type="checkbox"/> MM ONLY
THIRD ANGLE PROJECTION		
REVISE ON CAD ONLY		

RELEASED ON EC NO. EDO 11412 DRWN: WH 11/25/03 CHK: APPR:	QUALITY SYMBOLS	GENERAL TOLERANCES: (UNLESS SPECIFIED)	SCALE 5:1	DESIGN UNITS <input type="checkbox"/> MM <input checked="" type="checkbox"/> INCH	DRAWN BY & DATE W. HOWARD 11/25/03	TITLE: TERMINAL, SOLDER Y (CAT #183)
	MAJOR ORITICAL SPEC	MIN	ENGR	APPROVED BY & DATE	CAD FILENAME 1804-0401	MATERIAL NO. SEE TABLE
A	REV	4 PLACES ±.0015	3 PLACES ±.0038	2 PLACES ±.13	1 PLACES ±.3	DRAWING NO. SD-38002-016
		ANGULAR: ±2°	DRAFT WHERE APPLICABLE MUST REMAIN WITHIN DIMENSIONS		THIS DRAWING CONTAINS INFORMATION THAT IS PROPRIETARY TO MOLEX INCORPORATED AND SHOULD NOT BE USED WITHOUT WRITTEN PERMISSION.	

MATERIAL NO. SEE TABLE		DRAWING NO. SD-38002-016	SHEET NO. 1 OF 1
MOLEX INCORPORATED			SIZE B

ITEM	QTY.	DESCRIPTION	MATERIAL NO.	MATERIAL	FINISH
1	1	TERMINAL	38002-0257	BRASS	TIN