

LM75

2-Wire Serial Temperature Sensor and Monitor

The LM75 is a serially programmable temperature sensor that notifies the host controller when ambient temperature exceeds a user-programmed setpoint. Hysteresis is also programmable. The INT/CMPTR output is programmable as either a simple comparator for thermostat operation or as a temperature event interrupt. Communication with the LM75 is accomplished via a two-wire bus that is compatible with industry standard protocols. This permits reading the current temperature, programming the setpoint and hysteresis, and configuring the device.

The LM75 powers up in Comparator Mode with a default setpoint of 80°C with 5°C hysteresis. Defaults allow independent operation as a stand-alone thermostat. A shutdown command may be sent via the 2-wire bus to activate the low-power standby mode. Address selection inputs allow up to eight LM75's to share the same 2-wire bus for multi-zone monitoring.

All registers can be read by the host and the INT/CMPTR output's polarity is user programmable. Both polled and interrupt driven systems are easily accommodated. Small physical size, low installed cost, and ease of use make the LM75 an ideal choice for implementing sophisticated system management schemes.

Features

- Temperature Sensing: 0.5°C Accuracy (Typ.)
- Operates from: -55°C to +125°C
- Operating Range: 2.7 V – 5.5 V
- Programmable Trip Point and Hysteresis with Power-up Defaults
- Standard 2-Wire Serial Interface
- Thermal Event Alarm Output Functions as Interrupt or Comparator / Thermostat Output
- Up to 8 LM75's May Share the Same Bus
- Shutdown Mode for Low Standby Power Consumption
- 5.0 V Tolerant I/O at $V_{DD} = 3.0$ V
- Low Power 250 μ A (Typ.) Operating, 1.0 μ A (Typ.) Shutdown Mode

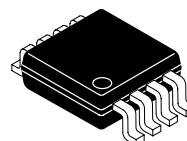
Typical Applications

- Thermal Protection for High Performance CPUs
- Solid-State Thermometer
- Fire/Heat Alarms
- Thermal Management in Electronic Systems:
 - Computers
 - Telecom Racks
 - Power Supplies / UPS
- Copiers / Office Electronics
- Consumer Electronics / Amplifiers
- Process Control



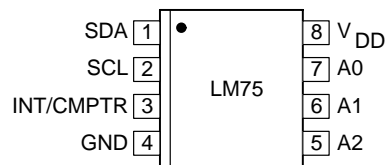
ON Semiconductor

<http://onsemi.com>



Micro8™
DM SUFFIX
CASE TBD

PIN CONFIGURATION (Top View)



ORDERING INFORMATION

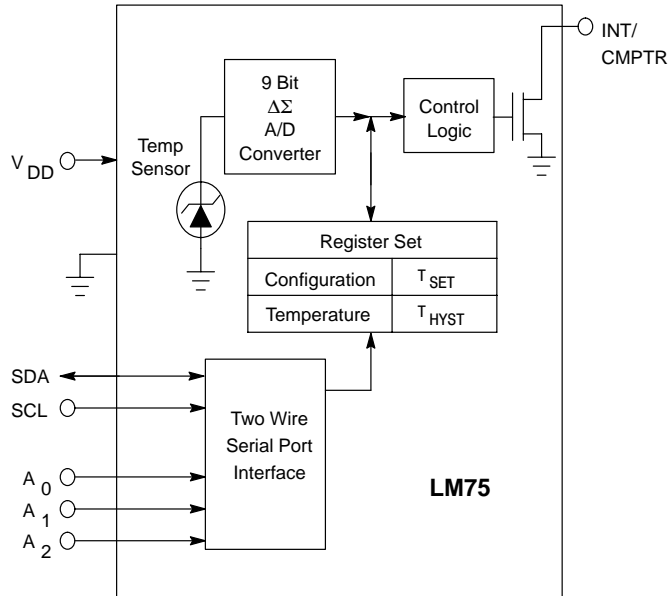
See detailed ordering and shipping information on page 10 of this data sheet.

DEVICE MARKING INFORMATION

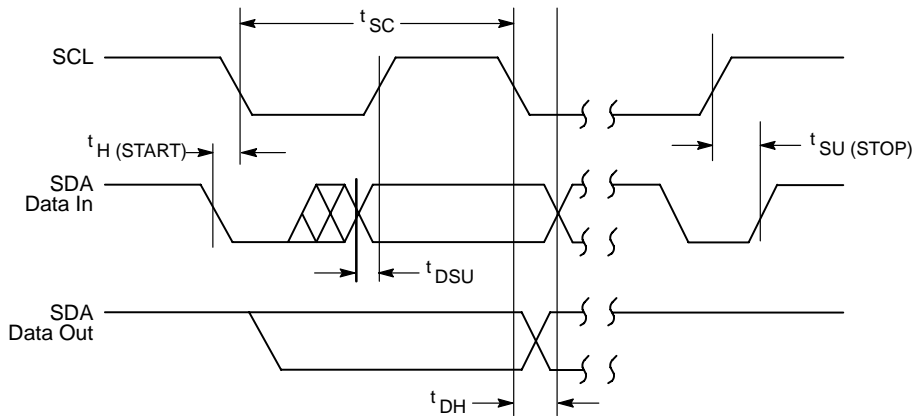
See general marking information in the device marking section on page 10 of this data sheet.

LM75

FUNCTIONAL BLOCK DIAGRAM



TIMING DIAGRAM



PIN DESCRIPTION

Pin No.	Symbol	Description
1	SDA	Bidirectional Serial Data
2	SCL	Serial Data Clock Input
3	INT/CMPTR	Interrupt or Comparator Output
4	GND	System Ground
5	A ₂	Address Select Pin (MSB)
6	A ₁	Address Select Pin
7	A ₀	Address Select Pin (LSB)
8	V _{DD}	Power Supply Input

LM75

ABSOLUTE MAXIMUM RATINGS*

Parameter	Value	Unit
Supply Voltage (V_{DD})	6.0	V
ESD Susceptibility (Note 3.)	1000	V
Input Voltage, On Pins: A0, A1, A2 SDA, SCL, INT/CMPTR	(GND – 0.3) to ($V_{CC} + 0.3$) (GND – 0.3) to 5.5	V
Operating Temperature Range (T_J)	–55 to +125	°C
Storage Temperature Range (T_{STG})	–65 to +150	°C
Lead Temperature Range (Soldering, 10 sec)	+300	°C
Thermal Resistance (Junction to Ambient)	250	°C/W

* Maximum Ratings are those values beyond which damage to the device may occur.

ELECTRICAL CHARACTERISTICS (Specifications Measured Over Operating Temperature Range, $V_{DD} = 2.7 - 5.5$ V, unless otherwise noted.)

Characteristic	Symbol	Min	Typ	Max	Unit
----------------	--------	-----	-----	-----	------

Power Supply

Power Supply Voltage	V_{DD}	2.7	–	5.5	V
Operating Current Serial Port Inactive ($T_A = T_J = 25^\circ\text{C}$) Serial Port Active	I_{DD}	–	0.250	– 1.0	mA
Standby Supply Current Shutdown Mode, Serial Port Inactive ($T_A = T_J = 25^\circ\text{C}$)	I_{DD1}	–	1	–	μA

INT/CMPTR Output

Sink Current: INT/CMPTR, SDA Outputs (Note 1.)	I_{OL}	–	1	4	mA
INT/CMPTR Response Time User Programmable	t_{TRIP}	1	–	6	t_{CONV}
Output Low Voltage $I_{OL} = 4.0$ mA	V_{OL}	–	–	0.8	V

Temp-to-Bits Converter

Temperature Accuracy (Note 2.) $V_{DD} = 3.3$ V: LM75DM–33R2 $V_{DD} = 5.0$ V: LM75DM–50R2 $-55^\circ\text{C} \leq T_A \leq +125^\circ\text{C}$ $25^\circ\text{C} \leq T_A \leq 100^\circ\text{C}$	ΔT	– –	± 3 ± 0.5	– ± 3	°C °C
Conversion Time	t_{CONV}	–	55	–	msec
TEMP Default Value Power Up	$T_{SET(PU)}$	–	80	–	°C
T_{HYST} Default Value Power Up	$T_{HYST(PU)}$	–	75	–	°C

- Output current should be minimized for best temperature accuracy. Power dissipation within the LM75 will cause self-heating and temperature drift.
- All part types of the LM75 will operate properly over the wider power supply range of 2.7 V to 5.5 V. Each part type is tested and specified for rated accuracy at its nominal supply voltage. As V_{DD} varies from the nominal value, accuracy will degrade 1°C/V of V_{DD} change.
- Human body model, 100 pF discharged through a 1.5 k resistor.

LM75

Characteristic	Symbol	Min	Typ	Max	Unit
2-Wire Serial Bus Interface					
Logic Input High	V_{IH}	$V_{DD} \times 0.7$	–	–	V
Logic Input Low	V_{IL}	–	–	$V_{DD} \times 0.3$	V
Logic Output Low $I_{OL} = 3 \text{ mA}$	V_{OL}	–	–	0.4	V
Input Capacitance SDA, SCL	C_{IN}	–	15	–	pF
I/O Leakage ($T_A = T_J = 25^\circ\text{C}$)	I_{LEAK}	–	± 100	–	pA
SDA Output Low Current	$I_{OL(SDA)}$	–	–	6	mA

SERIAL PORT TIMING: $C_L = 80 \text{ pf}$, unless otherwise noted.

Characteristic	Symbol	Min	Typ	Max	Unit
Serial Port Frequency	f_{SC}	0	100	400	kHz
Low Clock Period	t_{LOW}	1250	–	–	nsec
High Clock Period	t_{HIGH}	1250	–	–	nsec
SCL and SDA Rise Time	t_R	–	–	250	nsec
SCL and SDA Fall Time	t_F	–	–	250	nsec
Start Condition Setup Time (for repeated Start Condition)	$t_{SU(START)}$	1250	–	–	nsec
SCL Clock Period	t_{SC}	2.5	–	–	μsec
Start Condition Hold Time	$t_{H(START)}$	100	–	–	nsec
Data in Setup Time to SCL High	t_{DSU}	100	–	–	nsec
Data in Hold Time after SCL Low	t_{DH}	0	–	–	nsec
Stop Condition Setup Time	$t_{SU(STOP)}$	100	–	–	nsec
Bus Free Time Prior to New Transition	t_{IDLE}	1250	–	–	nsec

LM75

DETAILED OPERATING DESCRIPTION

A typical LM75 hardware connection is shown in Figure 1.

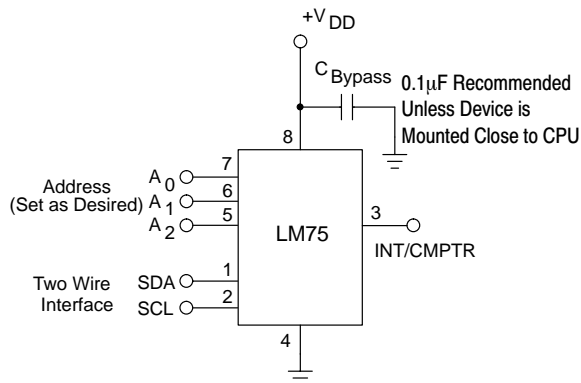


Figure 1. Typical Application

Serial Data (SDA)

Bidirectional. Serial data is transferred in both directions using this pin.

Serial Clock (SCL)

Input. Clocks data into and out of the LM75.

INT/CMPTR

Open Collector, Programmable Polarity. In Comparator Mode, unconditionally driven active any time temperature exceeds the value programmed into the T_{SET} register. INT/CMPTR will become inactive when temperature subsequently falls below the T_{HYST} setting. (See *Register Set and Programmer's Model*.) In Interrupt Mode, INT/CMPTR is made active by TEMP exceeding T_{SET} ; it is unconditionally reset to its inactive state by reading any register via the 2-wire bus. If and when temperature falls below T_{HYST} , INT/CMPTR is again driven active. Reading any register will clear the T_{HYST} interrupt. In Interrupt Mode, the INT/CMPTR output is unconditionally reset upon entering Shutdown Mode. If programmed as an active-low output, it can be wire-ORed with any number of other open collector devices. Most systems will require a pull-up resistor for this configuration.

Note that current sourced from the pull-up resistor causes power dissipation and may cause internal heating of the LM75. To avoid affecting the accuracy of ambient temperature readings, the pull-up resistor should be made as large as possible. INT/CMPTR's output polarity may be programmed by writing to the INT/CMPTR POLARITY bit in the CONFIG register. The default is active low.

Address (A2, A1, A0)

Inputs. Sets the three least significant bits of the LM75 8-bit address. A match between the LM75's address and the address specified in the serial bit stream must be made to initiate communication with the LM75. Many protocol-compatible devices with other addresses may share the same 2-wire bus.

Slave Address

The four most significant bits of the Address Byte (A6, A5, A4, A3) are fixed to 1001[B]. The states of A2, A1 and A0 in the serial bit stream must match the states of the A2, A1 and A0 address inputs for the LM75 to respond with an Acknowledge (indicating the LM75 is on the bus and ready to accept data). The Slave Address is represented by:

LM75 Slave Address

1	0	0	1	A2	A1	A0
MSB						LSB

Comparator/Interrupt Modes

INT/CMPTR behaves differently depending on whether the LM75 is in Comparator Mode or Interrupt Mode. Comparator Mode is designed for simple thermostatic operation. INT/CMPTR will go active anytime TEMP exceeds T_{SET} . When in Comparator Mode, INT/CMPTR will remain active until TEMP falls below T_{HYST} , whereupon it will reset to its inactive state. The state of INT/CMPTR is maintained in shutdown mode when the LM75 is in comparator mode. In Interrupt Mode, INT/CMPTR will remain active indefinitely, even if TEMP falls below T_{HYST} , until any register is read via the 2-wire bus. Interrupt Mode is better suited to interrupt driven microprocessor-based systems. The INT/CMPTR output may be wire-OR'ed with other interrupt sources in such systems. Note that a pull-up resistor is necessary on this pin since it is an open-drain output. Entering Shutdown Mode will unconditionally reset INT/CMPTR when in Interrupt Mode.

SHUTDOWN MODE

When the appropriate bit is set in the configuration register (CONFIG) the LM75 enters its low-power shutdown mode ($I_{DD} = 1.0 \mu A$, typical) and the temperature-to-digital conversion process is halted. The LM75's bus interface remains active and TEMP, T_{SET} , and T_{HYST} may be read from and written to. Transitions on SDA or SCL due to external bus activity may increase the standby power consumption. If the LM75 is in Interrupt Mode, the state of INT/CMPTR will be RESET upon entering shutdown mode.

Fault Queue

To lessen the probability of spurious activation of INT/CMPTR the LM75 may be programmed to filter out transient events. This is done by programming the desired value into the Fault Queue. Logic inside the LM75 will prevent the device from triggering INT/CMPTR unless the programmed number of sequential temperature-to-digital conversions yield the same qualitative result. In other words, the value reported in TEMP must remain above T_{SET} or below T_{HYST} for the consecutive number of cycles

programmed in the Fault Queue. Up to a six-cycle “filter” may be selected. See *Register Set and Programmer’s Model*.

Serial Port Operation

The Serial Clock input (SCL) and bidirectional data port (SDA) form a 2-wire bidirectional serial port for programming and interrogating the LM75. The following conventions are used in this bus scheme:

LM75 Serial Bus Conventions

Term	Explanation
Transmitter	The device sending data to the bus.
Receiver	The device receiving data from the bus.
Master	The device which controls the bus: initiating transfers (START), generating the clock, and terminating transfers (STOP).
Slave	The device addressed by the master.
Start	A unique condition signaling the beginning of a transfer indicated by SDA falling (High–Low) while SCL is high.
Stop	A unique condition signaling the end of a transfer indicated by SDA rising (Low – High) while SCL is high.
ACK	A Receiver acknowledges the receipt of each byte with this unique condition. The Receiver drives SDA low during SCL high of the ACK clock-pulse. The Master provides the clock pulse for the ACK cycle.
NOT Busy	When the bus is idle, both SDA & SCL will remain high.
Data Valid	The state of SDA must remain stable during the High period of SCL in order for a data bit to be considered valid. SDA only changes state while SCL is low during normal data transfers. (See Start and Stop conditions)

All transfers take place under control of a host, usually a CPU or microcontroller, acting as the Master, which provides the clock signal for all transfers. The LM75 *always* operates as a Slave. This serial protocol is illustrated in Figure 2. All data transfers have two phases; and all bytes are transferred MSB first. Accesses are initiated by a start condition (START), followed by a device address byte and one or more data bytes. The device address byte includes a Read/Write selection bit. Each access must be terminated by a Stop Condition (STOP). A convention called *Acknowledge* (ACK) confirms receipt of each byte. Note that SDA can change only during periods when SCL is LOW

(SDA changes while SCL is HIGH are reserved for Start and Stop Conditions).

Start Condition (START)

The LM75 continuously monitors the SDA and SCL lines for a start condition (a HIGH to LOW transition of SDA while SCL is HIGH), and will not respond until this condition is met. (See Timing Diagram)

Address Byte

Immediately following the Start Condition, the host must next transmit the address byte to the LM75. The four most significant bits of the Address Byte (A6, A5, A4, A3) are fixed to 1001(B). The states of A2, A1 and A0 in the serial bit stream must match the states of the A2, A1 and A0 address inputs for the LM75 to respond with an Acknowledge (indicating the LM75 is on the bus and ready to accept data). The eighth bit in the Address Byte is a Read–Write Bit. This bit is a 1 for a read operation or 0 for a write operation.

Acknowledge (ACK)

Acknowledge (ACK) provides a positive handshake between the host and the LM75. The host releases SDA after transmitting eight bits then generates a ninth clock cycle to allow the LM75 to pull the SDA line LOW to acknowledge that it successfully received the previous eight bits of data or address.

Data Byte

After a successful ACK of the address byte, the host must next transmit the data byte to be written or clock out the data to be read. (See the appropriate timing diagrams.) ACK will be generated after a successful write of a data byte into the LM75.

Stop Condition (STOP)

Communications must be terminated by a stop condition (a LOW to HIGH transition of SDA while SCL is HIGH). The Stop Condition must be communicated by the transmitter to the LM75. (See Timing Diagram)

Power Supply

To minimize temperature measurement error, the LM75DM–33 is factory calibrated at a supply voltage of 3.3 V \pm 5% and the LM75DM–50 is factory calibrated at a supply voltage of 5.0 V \pm 5%. Either device is fully operational over the power supply voltage range of 2.7 V to 5.5 V, but with a lower measurement accuracy. The typical value of this power supply–related error is \pm 2°C.

LM75

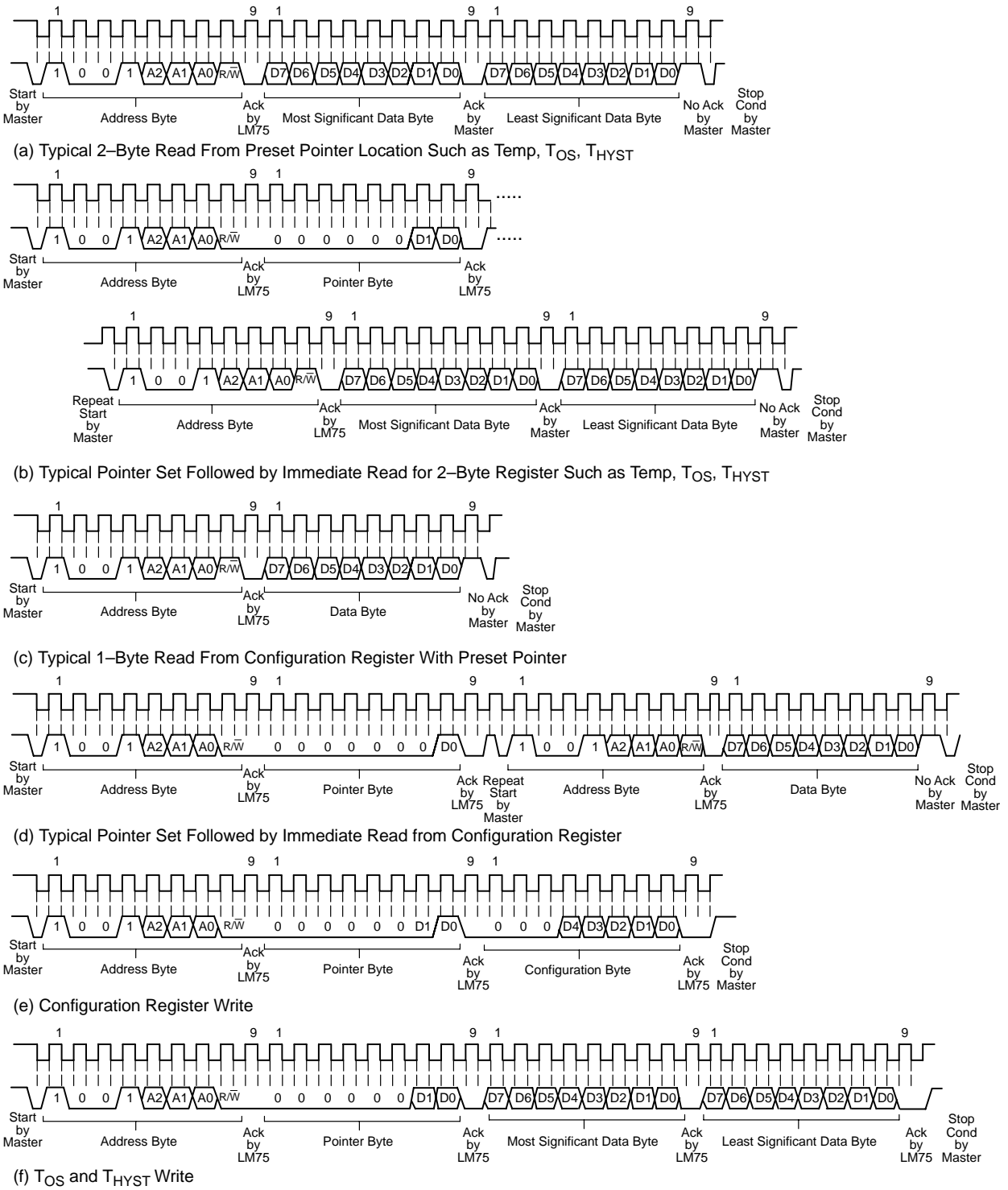


Figure 2. Serial Port Operation

REGISTER SET AND PROGRAMMER'S MODEL

Register (POINT), 8–bits, Write–only

Pointer Register (POINT)

D[7]	D[6]	D[5]	D[4]	D[3]	D[2]	D[1]	D[0]
Must Be Set To Zero						Pointer	

Register Selection via the Pointer Register:

D1	D0	Register Selection
0	0	TEMP
0	1	CONFIG
1	0	T _{HYST}
1	1	T _{SET}

Configuration Register (CONFIG), 8–bits, Read/Write

Configuration Register (CONFIG)

D[7]	D[6]	D[5]	D[4]	D[3]	D[2]	D[1]	D[0]
Must Be Set To Zero			Fault Queue		INT/ CMPTR. POLAR- ITY	COMP/ INT.	Shut- Down

D0: Shutdown: 0 = Normal Operation
1 = Shutdown Mode

D1: CMPTR/INT: 0 = Comparator Mode
1 = Interrupt Mode

D2: INT/CMPTR POLARITY: 0 = Active Low
1 = Active High

D3 – D4: Fault Queue: Number of sequential temperature-to-digital conversions with the same result before the INT/CMPTR output is updated:

D4	D3	Number of Conversions
0	0	1 (Power-up–default)
0	1	2
1	0	4
1	1	6

LM75

Temperature (TEMP) Register, 16–bits, Read–only

The binary value in this register represents ambient temperature following a conversion cycle.

Temperature Register (TEMP)

D[15]	D[14]	D[13]	D[12]	D[11]	D[10]	D[9]	D[8]	D[7]	D[6]	D[5]	D[4]	D[3]	D[2]	D[1]	D[0]
MSB	D7	D6	D5	D4	D3	D2	D1	LSB	X	X	X	X	X	X	X

Temperature Setpoint (T_{SET}) and Hysteresis (T_{HYST}) Register, 16–bits, Read–Write:

Temperature Setpoint Register (T_{SET})

D[15]	D[14]	D[13]	D[12]	D[11]	D[10]	D[9]	D[8]	D[7]	D[6]	D[5]	D[4]	D[3]	D[2]	D[1]	D[0]
MSB	D7	D6	D5	D4	D3	D2	D1	LSB	X	X	X	X	X	X	X

Hysteresis Register (T_{HYST})

D[15]	D[14]	D[13]	D[12]	D[11]	D[10]	D[9]	D[8]	D[7]	D[6]	D[5]	D[4]	D[3]	D[2]	D[1]	D[0]
MSB	D7	D6	D5	D4	D3	D2	D1	LSB	X	X	X	X	X	X	X

In the TEMP, T_{SET}, and T_{HYST} registers, each unit value represents one-half degree (Celsius). The value is in 2's – complement binary format such that a reading of 00000000b corresponds to 0°C. Examples of this temperature to binary value relationship are shown in the following table.

Temperature to Digital Value Conversion

Temperature	Binary Value	HEX Value
+125°C	0 11111010	0FA
+25°C	0 00110010	032
+0.5°C	0 00000001	001
0°C	0 00000000	00
–0.5°C	1 11111111	1FF
–25°C	1 11001110	1CE
–40°C	1 10110000	1B0
–55°C	1 10010010	192

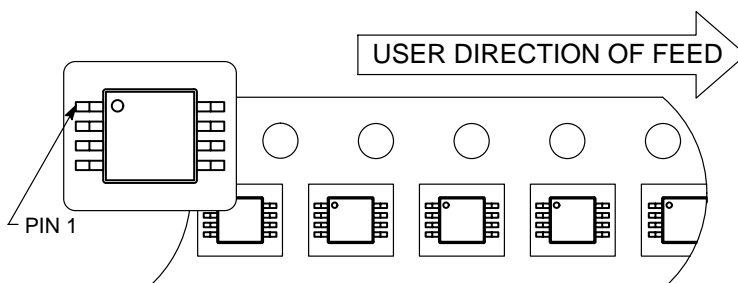
The LM75's register set is summarized below

Name	Description	Width	Read	Write	Notes
TEMP	Ambient Temperature	16	X		2's Complement Format
T _{SET}	Temperature Setpoint	16	X	X	2's Complement Format
T _{HYST}	Temperature Hysteresis	16	X	X	2's Complement Format
POINT	Register Pointer	8	X	X	
CONFIG	Configuration Register	8	X	X	

LM75

TAPE AND REEL INFORMATION

Component Taping Orientation for Micro8 Devices



Standard Reel Component Orientation
for R2 Suffix Device
(Mark Right Side Up)

Tape & Reel Specifications Table

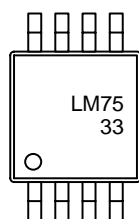
Package	Tape Width (W)	Pitch (P)	Part Per Full Reel	Diameter
Micro-8	12 mm	4 mm	2500	13 inches

ORDERING INFORMATION

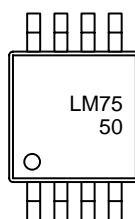
Device	Supply Voltage (V_{DD})	Package	Shipping
LM75DM-33R2	3.3 V	Micro8	2500 Tape/Reel
LM75DM-50R2	5.0 V	Micro8	2500 Tape/Reel

MARKING DIAGRAMS

LM75DM-33



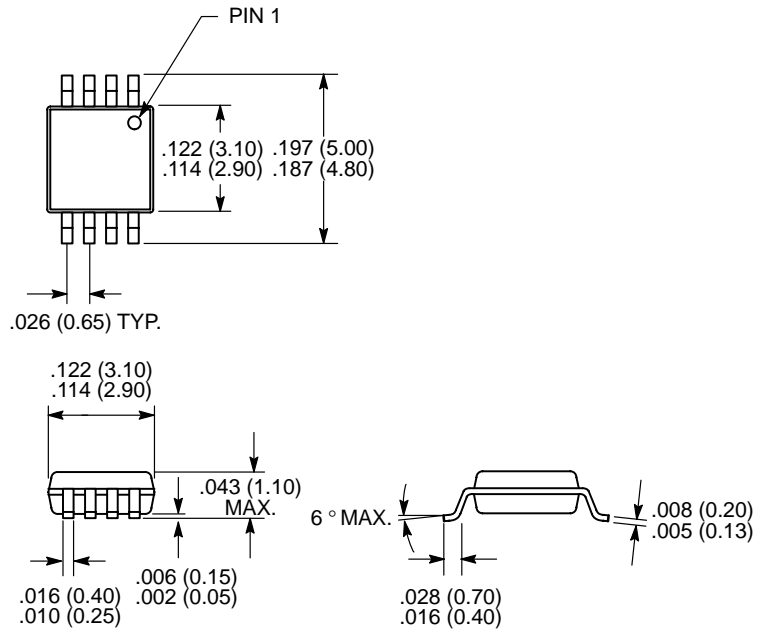
LM75DM-50



LM75


PACKAGE DIMENSIONS

Micro8
PLASTIC PACKAGE
CASE TBD



Dimensions: inches (mm)

Micro8 is a trademark of International Rectifier

ON Semiconductor and  are trademarks of Semiconductor Components Industries, LLC (SCILLC). SCILLC reserves the right to make changes without further notice to any products herein. SCILLC makes no warranty, representation or guarantee regarding the suitability of its products for any particular purpose, nor does SCILLC assume any liability arising out of the application or use of any product or circuit, and specifically disclaims any and all liability, including without limitation special, consequential or incidental damages. "Typical" parameters which may be provided in SCILLC data sheets and/or specifications can and do vary in different applications and actual performance may vary over time. All operating parameters, including "Typicals" must be validated for each customer application by customer's technical experts. SCILLC does not convey any license under its patent rights nor the rights of others. SCILLC products are not designed, intended, or authorized for use as components in systems intended for surgical implant into the body, or other applications intended to support or sustain life, or for any other application in which the failure of the SCILLC product could create a situation where personal injury or death may occur. Should Buyer purchase or use SCILLC products for any such unintended or unauthorized application, Buyer shall indemnify and hold SCILLC and its officers, employees, subsidiaries, affiliates, and distributors harmless against all claims, costs, damages, and expenses, and reasonable attorney fees arising out of, directly or indirectly, any claim of personal injury or death associated with such unintended or unauthorized use, even if such claim alleges that SCILLC was negligent regarding the design or manufacture of the part. SCILLC is an Equal Opportunity/Affirmative Action Employer.

PUBLICATION ORDERING INFORMATION

NORTH AMERICA Literature Fulfillment:

Literature Distribution Center for ON Semiconductor
 P.O. Box 5163, Denver, Colorado 80217 USA
Phone: 303-675-2175 or 800-344-3860 Toll Free USA/Canada
Fax: 303-675-2176 or 800-344-3867 Toll Free USA/Canada
Email: ONlit@hibbertco.com
 Fax Response Line: 303-675-2167 or 800-344-3810 Toll Free USA/Canada

N. American Technical Support: 800-282-9855 Toll Free USA/Canada

EUROPE: LDC for ON Semiconductor – European Support

German Phone: (+1) 303-308-7140 (Mon-Fri 2:30pm to 7:00pm CET)
Email: ONlit-german@hibbertco.com
French Phone: (+1) 303-308-7141 (Mon-Fri 2:00pm to 7:00pm CET)
Email: ONlit-french@hibbertco.com
English Phone: (+1) 303-308-7142 (Mon-Fri 12:00pm to 5:00pm GMT)
Email: ONlit@hibbertco.com

EUROPEAN TOLL-FREE ACCESS*: 00-800-4422-3781

*Available from Germany, France, Italy, UK, Ireland

CENTRAL/SOUTH AMERICA:

Spanish Phone: 303-308-7143 (Mon-Fri 8:00am to 5:00pm MST)
Email: ONlit-spanish@hibbertco.com

ASIA/PACIFIC: LDC for ON Semiconductor – Asia Support

Phone: 303-675-2121 (Tue-Fri 9:00am to 1:00pm, Hong Kong Time)
Toll Free from Hong Kong & Singapore:
001-800-4422-3781
Email: ONlit-asia@hibbertco.com

JAPAN: ON Semiconductor, Japan Customer Focus Center

4-32-1 Nishi-Gotanda, Shinagawa-ku, Tokyo, Japan 141-0031
Phone: 81-3-5740-2700
Email: r14525@onsemi.com

ON Semiconductor Website: <http://onsemi.com>

For additional information, please contact your local Sales Representative.